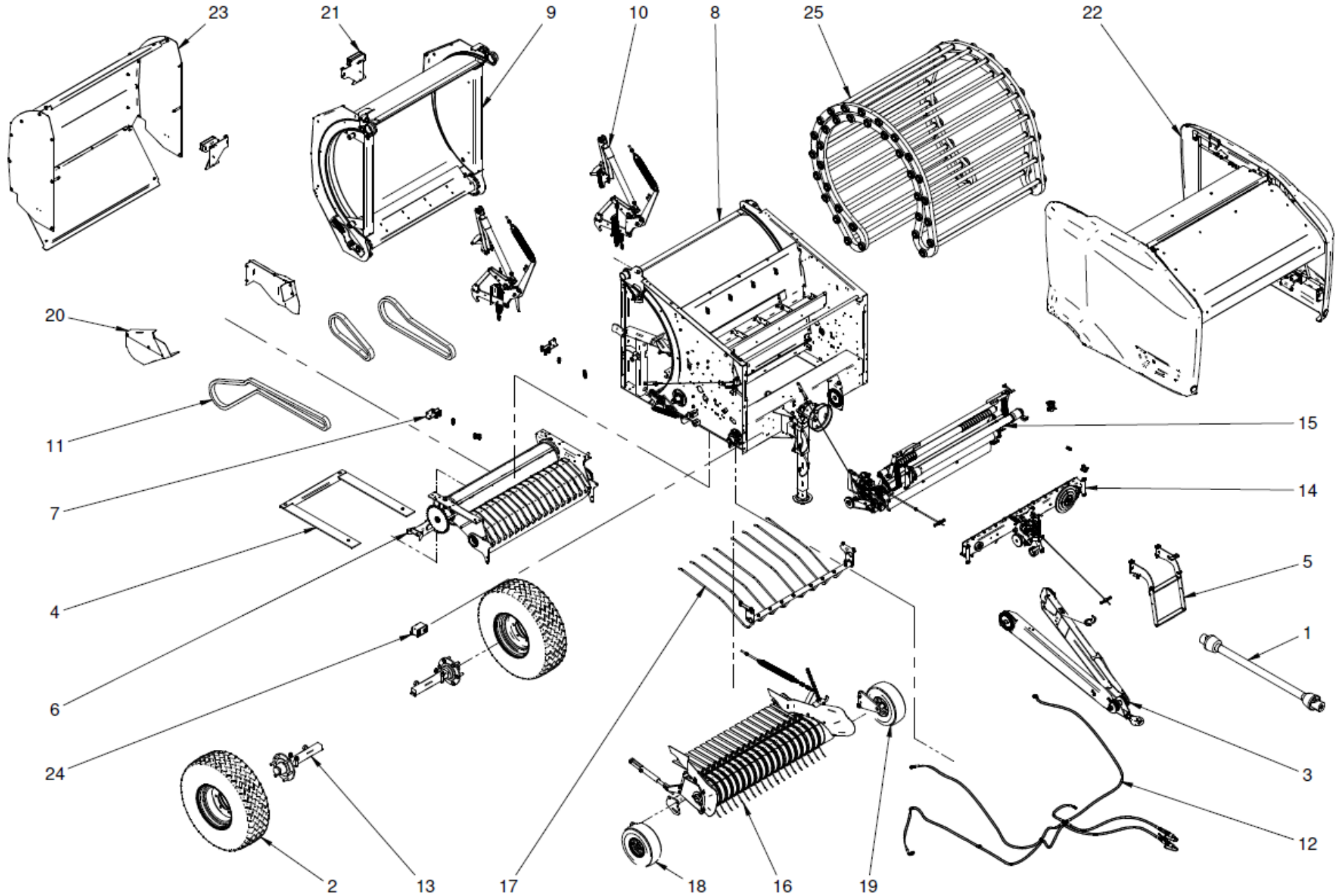




Spare parts catalogue



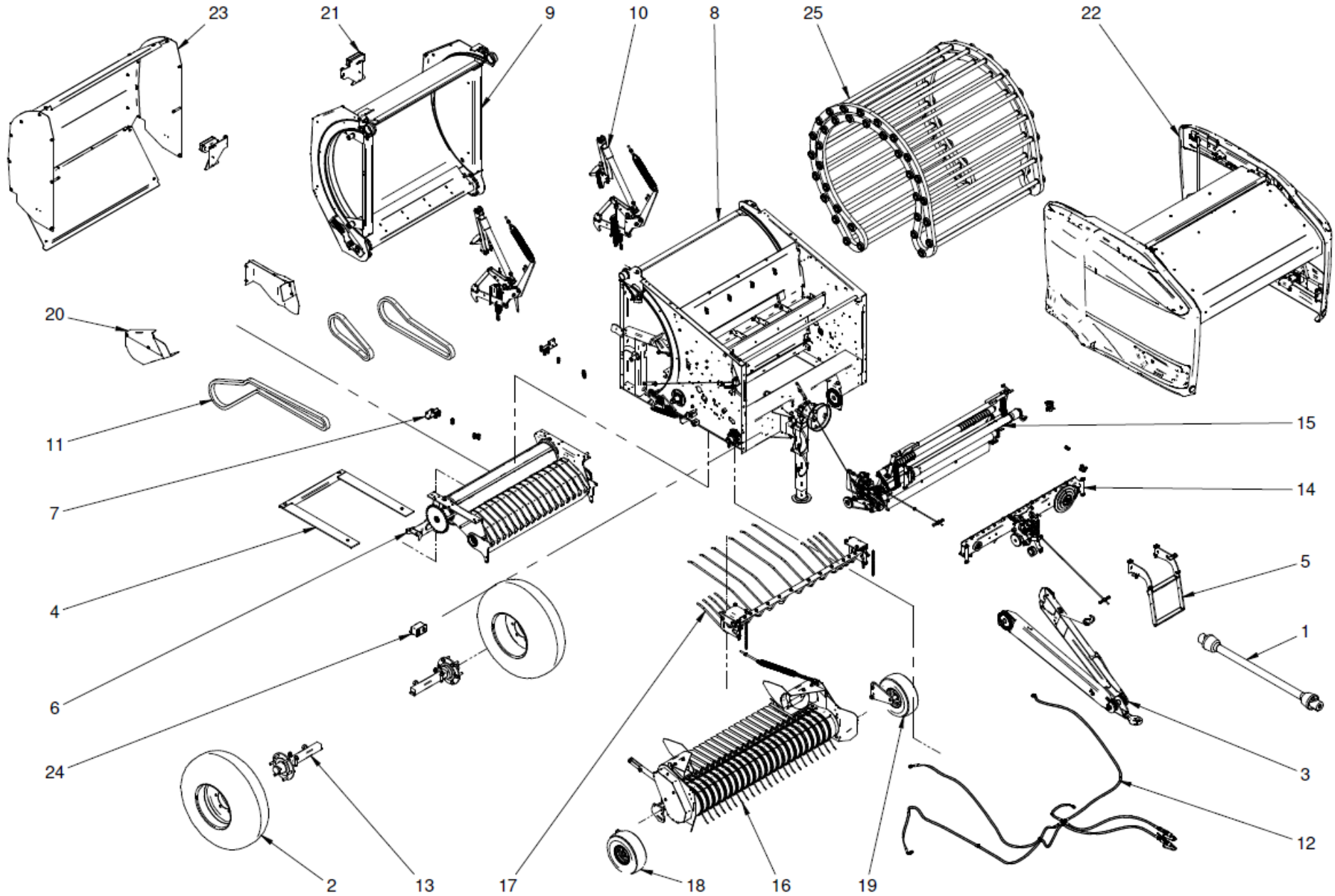
Round baler ***ACTION 120-120L***



S.N.

Pos.	Code	Description	Quantity
1	032.056	P.T.O. SHAFT ACTION STD-6 C.LT 1050 NM	1
1	032.057	P.T.O. SHAFT ACTION STD-8 C.LT 1050 NM	1
1	032.058	P.T.O. W.SHAFT ACTION OPT-6 C.LT 1050 NM	1
1	032.059	P.T.O. W.SHAFT ACTION OPT-8 C.LT 1050 NM	1
2	040.006	WHEEL 10.0/75-15.3 10 PR	2
2	040.012	WHEEL 11.5/80-15.3 10PR 6HOLES	2
2	040.178	WHEEL 15.0/55-17 (D.860X400)	2
3	50000040	COMPL. ASSY DRAW BAR	1
4	50000600	COMPL. ASSY EJECTOR GENIUS-ACTION	1
5	50000603	COMPL. ASSY LADDER "ACTION"	1
6	50000604	COMPL. ASSY LOWER FRAME ACTION 120	1
7	50000605	COMPL. ASSY LOWER FRONT FRAME CONNECTION	1
8	50000607	COMPL. ASSY FRONT FRAME ACTION 120	1
9	50000609	COMPL. ASSY REAR DOOR ACTION 120	1
10	50000611	COMPL. ASSY REAR DOOR HOOKS ACTION 120	1
11	50000612	COMPL. ASSY TRANSMIS. CHAINS ACTION 120	1
12	50000613	COMPL. ASSY HYDRAULIC SYSTEM ACTION	1
13	50000614	COMPL. ASSY WHEEL DRIVE SHAFT ACTION	1
14	50000620	COMPL. ASSY MANUAL TWINE BINDER	1
15	50000622	COMPL. ASSY MANUAL NET BINDER ACTION	1
16	50000630	COMPL. ASSY PICK-UP 170 ACTION	1
17	50000631	COMPL. ASSY PICK-UP 170 ACTION RAKE	1
18	50000634	COMPL. ASSY RIGHT PICK-UP WHEEL	1
19	50000635	COMPL. ASSY LEFT PICK-UP WHEEL	1
20	50000640	COMPL. ASSY LOWER COVER PLATES ACTION 120	1
21	50000643	COMPL. ASSY REAR LIGHTS ACTION	1
22	50000650	COMPL. ASSY FRONT COVER PLATES ACTION 120	1
23	50000652	COMPL. ASSY REAR DOOR COVER P. ACTION 120	1
24	50000700	COMPL. ASSY ELECTRIC SYSTEM M50	1
24	50000701	COMPL. ASSY ELECTRIC SYSTEM M100	1
24	50000702	COMPL. ASSY ELECTRIC SYSTEM M200	1
25	50002307	COMPL. ASSY CHAINS ACTION 120	1

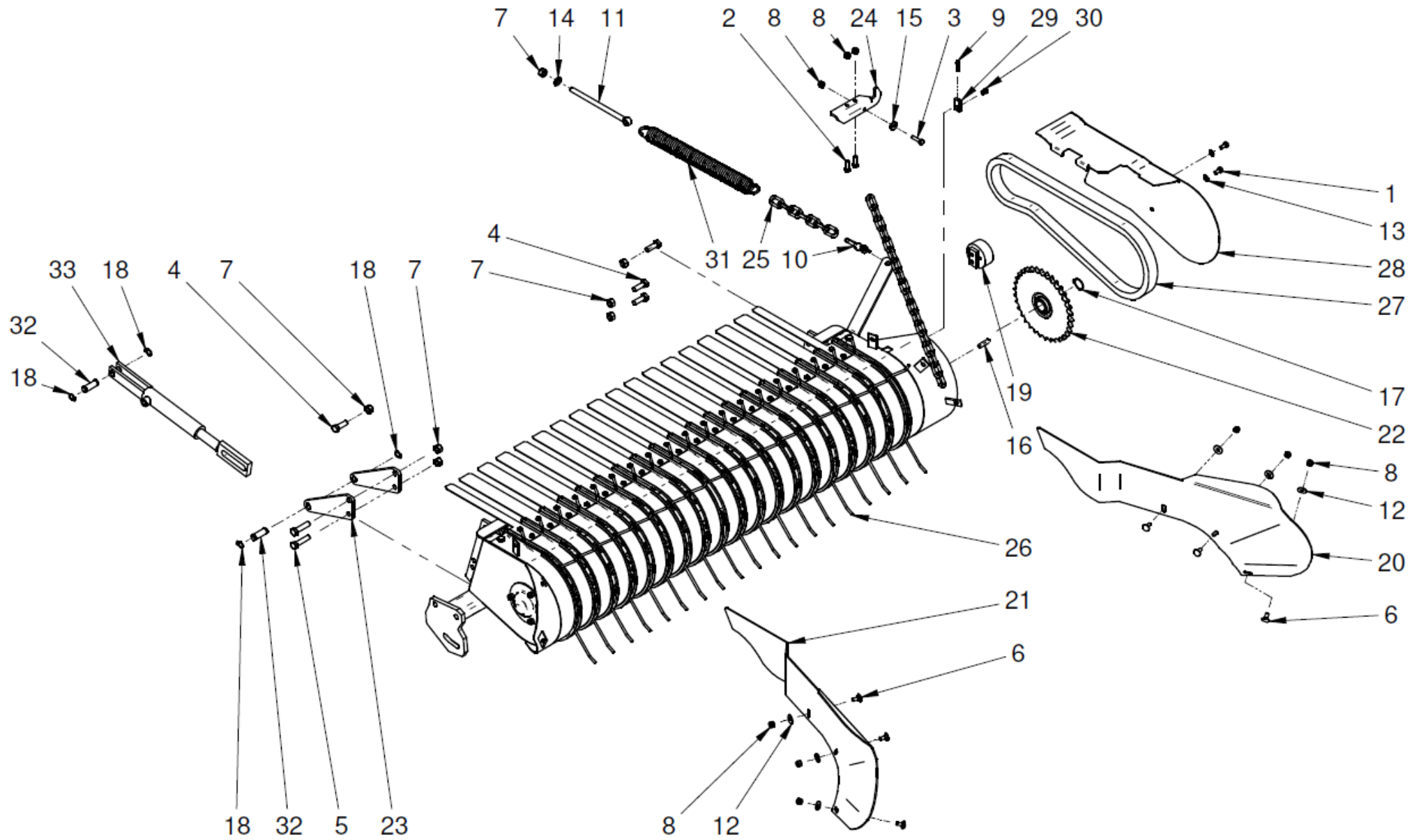
S.N.



S.N.

Pos.	Code	Description	Quantity
1	032.056	P.T.O. SHAFT ACTION STD-6 C.LT 1050 NM	1
1	032.057	P.T.O. SHAFT ACTION STD-8 C.LT 1050 NM	1
1	032.058	P.T.O. W.SHAFT ACTION OPT-6 C.LT 1050 NM	1
1	032.059	P.T.O. W.SHAFT ACTION OPT-8 C.LT 1050 NM	1
2	040.012	WHEEL 11.5/80-15.3 10PR 6HOLES	2
2	040.178	WHEEL 15.0/55-17 (D.860X400)	2
3	50000040	COMPL. ASSY DRAW BAR	1
4	50000600	COMPL. ASSY EJECTOR GENIUS-ACTION	1
5	50000603	COMPL. ASSY LADDER "ACTION"	1
6	50000604	COMPL. ASSY LOWER FRAME ACTION 120	1
7	50000605	COMPL. ASSY LOWER FRONT FRAME CONNECTION	1
8	50000607	COMPL. ASSY FRONT FRAME ACTION 120	1
9	50000609	COMPL. ASSY REAR DOOR ACTION 120	1
10	50000611	COMPL. ASSY REAR DOOR HOOKS ACTION 120	1
11	50000612	COMPL. ASSY TRANSMIS. CHAINS ACTION 120	1
12	50000613	COMPL. ASSY HYDRAULIC SYSTEM ACTION	1
13	50000614	COMPL. ASSY WHEEL DRIVE SHAFT ACTION	1
14	50000620	COMPL. ASSY MANUAL TWINE BINDER	1
15	50000622	COMPL. ASSY MANUAL NET BINDER ACTION	1
16	50000632	COMPL. ASSY PICK-UP 200 ACTION	1
17	50000633	COMPL. ASSY PICK-UP 200 ACTION RAKE	1
18	50000634	COMPL. ASSY RIGHT PICK-UP WHEEL	1
19	50000635	COMPL. ASSY LEFT PICK-UP WHEEL	1
20	50000640	COMPL. ASSY LOWER COVER PLATES ACTION 120	1
21	50000643	COMPL. ASSY REAR LIGHTS ACTION	1
22	50000650	COMPL. ASSY FRONT COVER PLATES ACTION 120	1
23	50000652	COMPL. ASSY REAR DOOR COVER P. ACTION 120	1
24	50000700	COMPL. ASSY ELECTRIC SYSTEM M50	1
24	50000701	COMPL. ASSY ELECTRIC SYSTEM M100	1
24	50000702	COMPL. ASSY ELECTRIC SYSTEM M200	1
25	50002307	COMPL. ASSY CHAINS ACTION 120	1

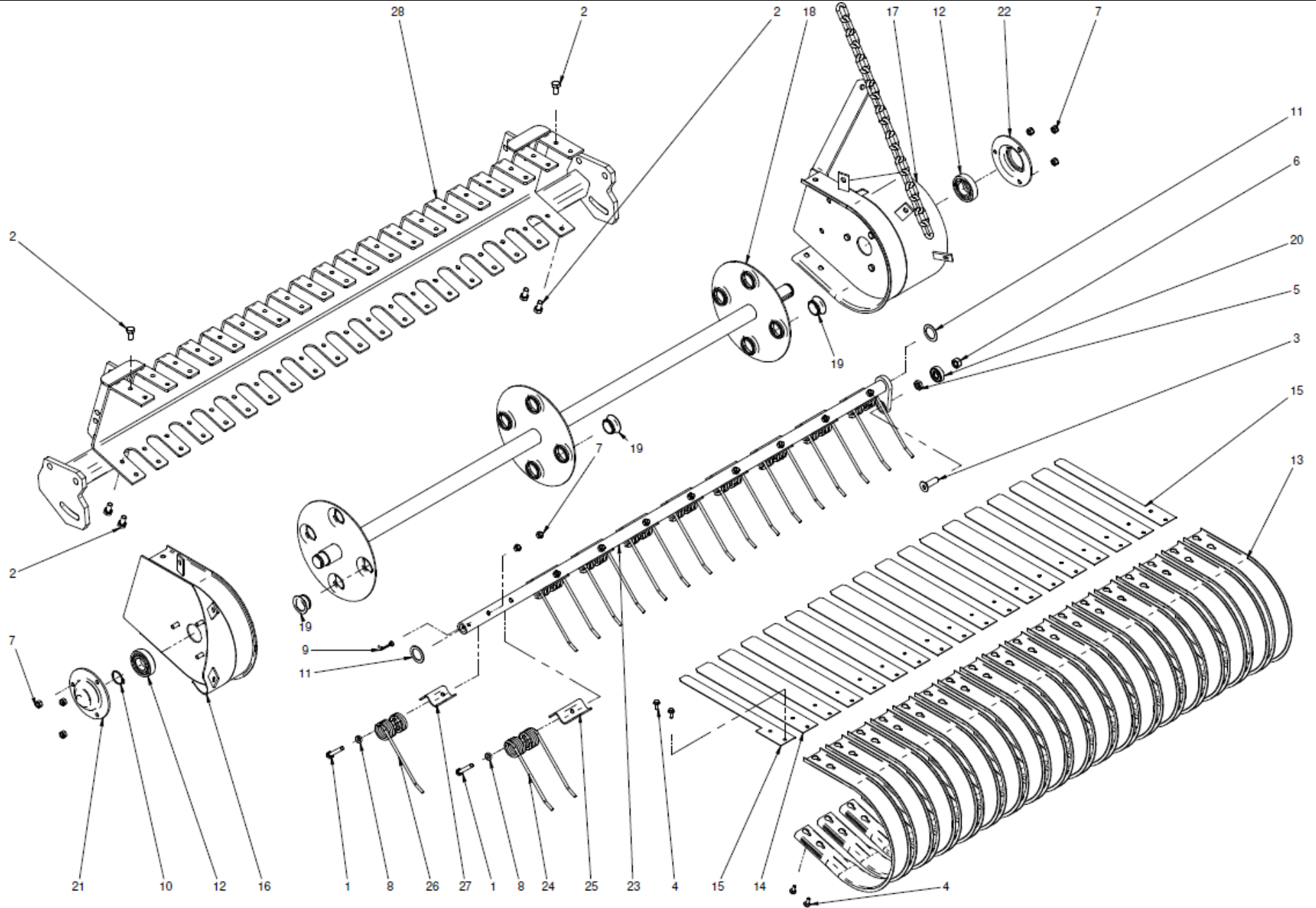
S.N.



S.N.

Pos.	Code	Description	Quantity
1	020.050	SCREW TE M 8X16 8.8 5739 ZB	2
2	020.052	SCREW TE M 8X25 8.8 5739 ZB	2
3	020.053	SCREW TE M 8X30 8.8 ISO 4017 ZB	1
4	020.153	SCREW TE M 12X35 8.8 5739 ZB	4
5	020.155	SCREW TE M 12X50 8.8 ISO 4014 ZB	2
6	020.600	SCREW TTQST M 8X20 4.6 5731 ZB	6
7	021.113	SELF-LOCKING NUT M12 7473 ZB	7
8	021.114	SELF-LOCKING NUT M8 7473 ZB	9
9	022.008	GREASE DEVICE M6X1 LONG DIR. ZB	1
10	022.202	SHACKLE D.10	1
11	022.320	EYE OF TIE-ROD M 12X210 DX ZN	1
12	023.017	FLAT WASHER M8=9X24X2 6593 ZB	6
13	023.020	FLAT WASHER M8=8,4X16X1,6 6592 ZB	2
14	023.040	FLAT WASHER M12=13X24X2,5 6592 ZB	1
15	023.608	FLAT WASHER 8X23X4 D6340 ZB	1
16	027.201	GROOVE-AND-TONGUE JOINT 8X7X40 6604/A	1
17	028.110	SEEGER RING EXT. D. 30 7435/471	1
18	028.236	SEEGER RING EXT. D. 16 7436 (HEAVY)	4
19	50000669	COMPL. ASSY TENSIONING RAIL D.70	1
20	50001090	CONVEYOR BLADE LEFT	1
21	50001092	CONVEYOR BLADE RIGHT	1
22	50001362	WELD ASSY PICK-UP RIM Z=34	1
23	50001536	CYLINDER CONNECTION PLATE	2
24	50001582	PICK-UP CHAIN STUFF	1
25	50001584	CHAIN 6 LINKS	1
26	50001940-52	COMPL. ASSY PICK-UP 170	1
27	50002536	ROLLERS CHAIN ASA60 71 P.+JOINT+F.M	1
28	50004350-52	WELD ASSY PICK-UP COVER PL. 170 LEFT	1
29	50004370	LUBRICATOR BLOCK ZB	1
30	50004371	DRILLED SCREW M10X1 ZB	1
31	54001228	SPRING PICK-UP ZB	1
32	54003130	PIN ZB	2
33	54006103	PICK-UP CYLINDER BLACK	1

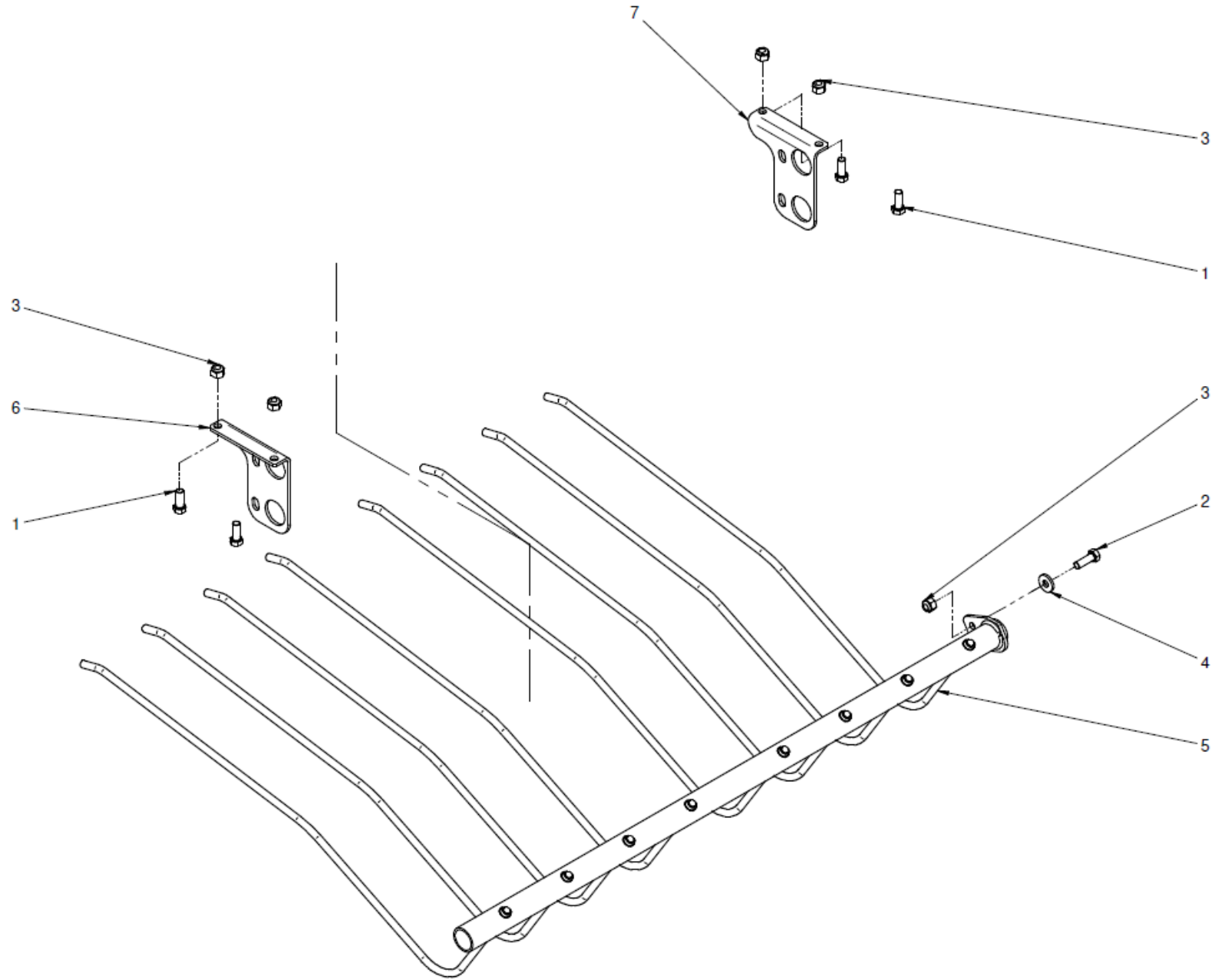
S.N.



S.N.

Pos.	Code	Description	Quantity
1	020.057	SCREW TE M 8X50 8.8 5737 ZB	40
2	020.100	SCREW TE M 10X20 8.8 5739 ZB	6
3	020.636	SCREW TSPEI M 12X40 10.9 5933 ZB	4
4	020.961	SCREW TE M 6X16 8.8 6921 ZB	72
5	021.030	NUT E 6S M 12 5589 ZB	4
6	021.104	SELF-LOCKING NUT M 12 7474 ZB	4
7	021.114	SELF-LOCKING NUT M8 7473 ZB	46
8	023.020	FLAT WASHER M8=8,4X16X1,6 6592 ZB	40
9	024.232	COVER D. 4X40 ZB 1336	4
10	028.110	SEEGER RING EXT. D. 30 7435/471	1
11	028.336	RING TYPE "PS" 28X40X1 DIN988	8
12	050.103	BEARING 30X62X13 6206-2RS1	2
13	08500219-52	GUIDING BAND SV 729	18
14	08500221-52	BAND EXTENSION PICK-UP	16
15	08500222-52	BAND EXTENSION SP"N25T" PICK-UP	2
16	08500404-52	RIGHT SIDE "N25AR/18/M"	1
17	08500405-52	LEFT SIDE "N25AR/18/M"	1
18	08500406-52	TRASMISSION SHAFT PICK-UP 170	1
19	500.008	NYLON BUSHING (PICK-UP ROLLER)	12
20	500.009	COMPL. ASSY SMALL WHEEL (PICK-UP ROLLER)	4
21	500.011-52	PICK-UP ROLLER BLIND SUPPORT	1
22	500.012-52	PICK-UP ROLLER PUNCHED SUPPORT	1
23	500.058	SPRINGS SUPPORT TUBE L=1302	4
24	500.077-52	SPRING (PICK-UP 2001)	36
25	500.078-52	PLATE (PICK-UP 2001)	32
26	500.090-52	SPRING "U25R D.5.5" SP CL "C"	4
27	500.091-52	PLATE "U" DW.88.107/1	8
28	50001080-52	WELD ASSY PICK-UP FRAME 170	1

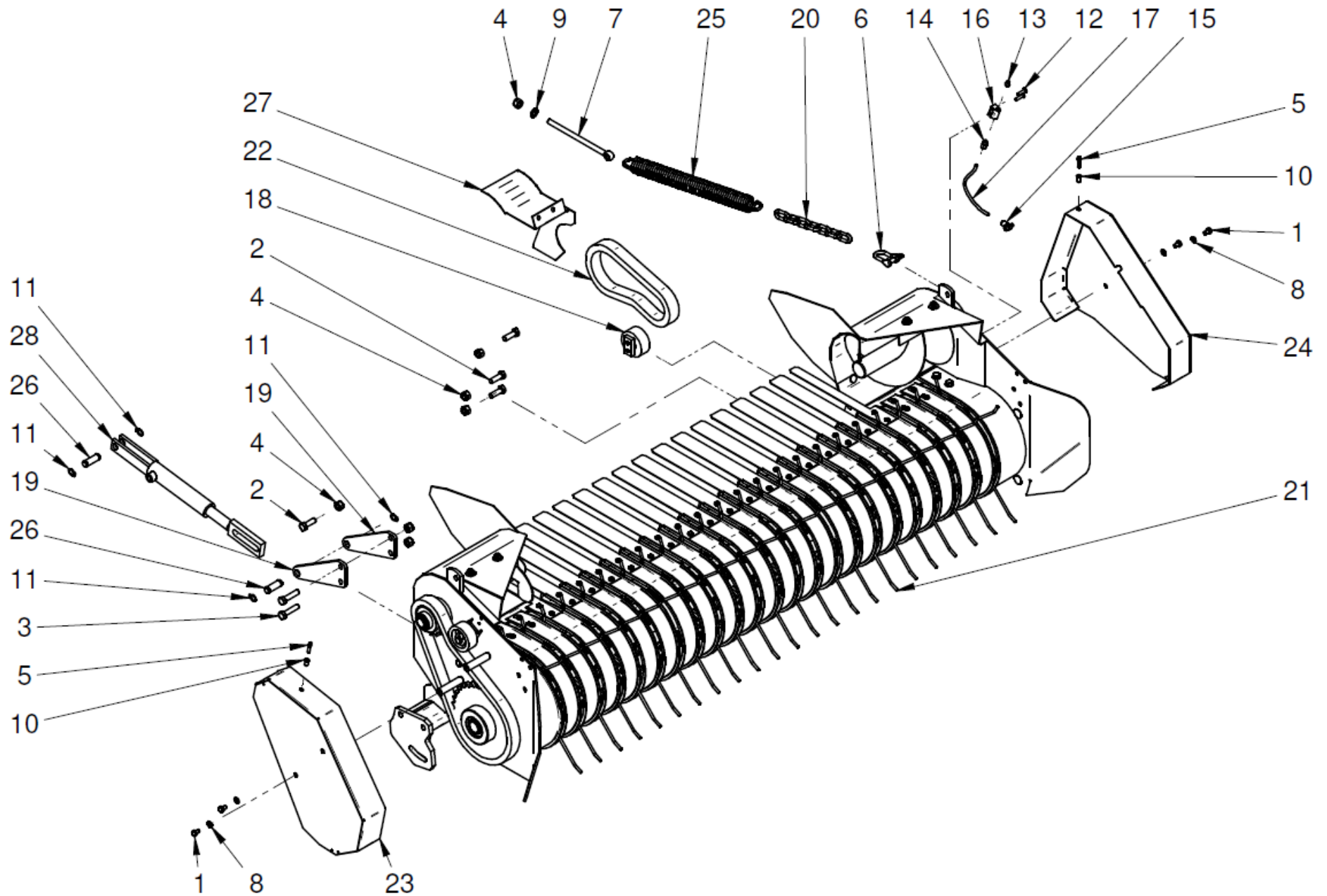
S.N.



S.N.

Pos.	Code	Description	Quantity
1	020.152	SCREW TE M 12X30 8.8 5739 ZB	4
2	020.153	SCREW TE M 12X35 8.8 5739 ZB	1
3	021.113	SELF-LOCKING NUT M12 7473 ZB	5
4	023.180	WASHER SPEC. M12=12,5X30X4 ZB	1
5	50001670	WELD ASSY NARROW RAKE	1
6	50001696	NARROW RAKE CONNECTION RIGHT	1
7	50001697	NARROW RAKE CONNECTION LEFT	1

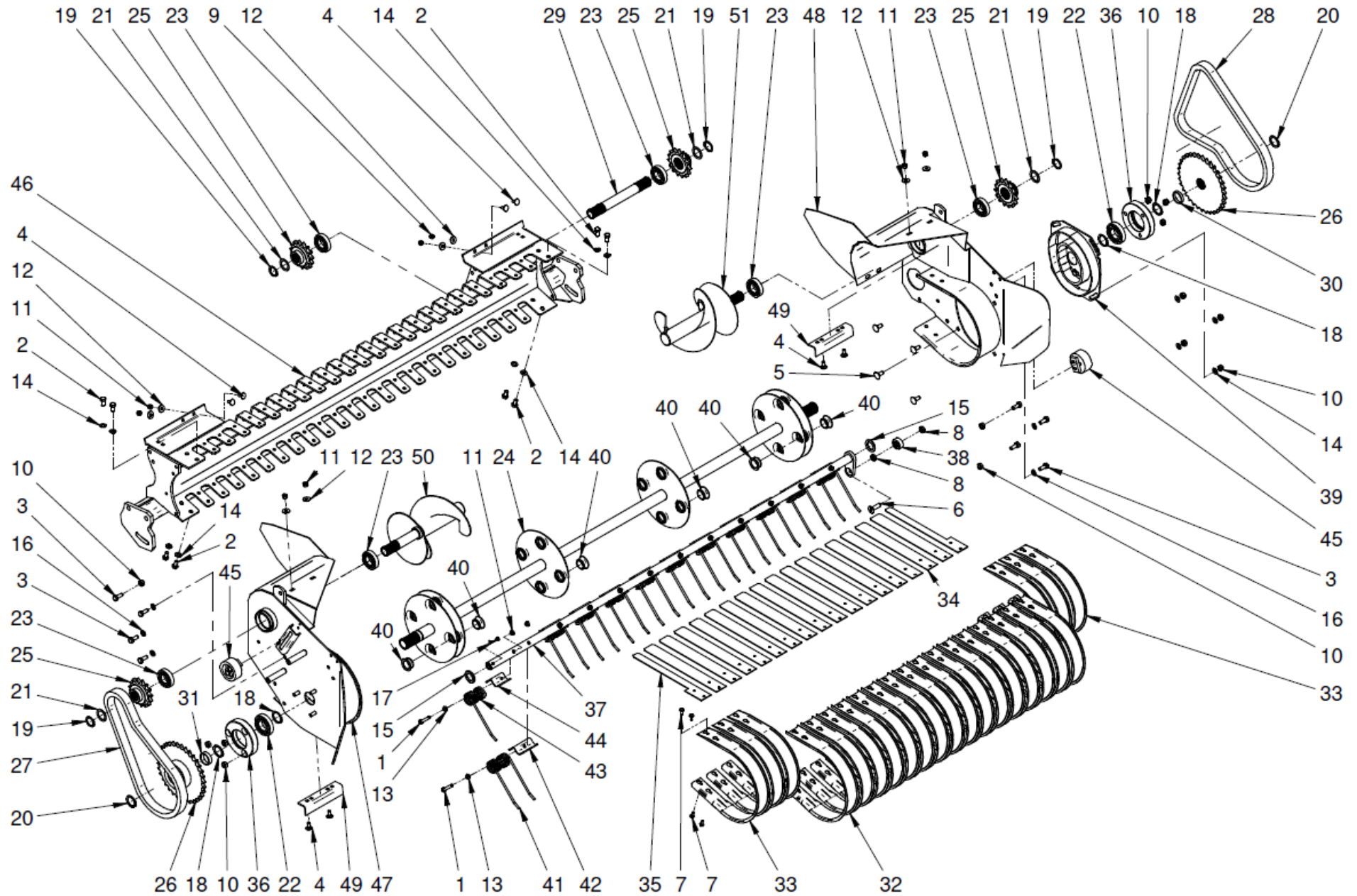
S.N.



S.N.

Pos.	Code	Description	Quantity
1	020.028	SCREW TE M 8X12 8.8 5739 ZB	4
2	020.153	SCREW TE M 12X35 8.8 5739 ZB	4
3	020.155	SCREW TE M 12X50 8.8 ISO 4014 ZB	2
4	021.113	SELF-LOCKING NUT M12 7473 ZB	7
5	022.008	GREASE DEVICE M6X1 LONG DIR. ZB	2
6	022.202	SHACKLE D.10	1
7	022.320	EYE OF TIE-ROD M 12X210 DX ZN	1
8	023.020	FLAT WASHER M8=8,4X16X1,6 6592 ZB	4
9	023.040	FLAT WASHER M12=13X24X2,5 6592 ZB	1
10	023.921	RIVET TC UNI 9201-A M6-8	2
11	028.236	SEEGER RING EXT. D. 16 7436 (HEAVY)	4
12	029.600	PULL RIVET UNI9200-A-6-25-P-ALMG5	2
13	08543030	GREASER 1/8" GK	1
14	08543031	PUSH-IN STRAIGHT D.6 1/8 K	1
15	08543033	PUSH-IN A 90° D.6 M10X1K	1
16	08543048	BLOCK 1/8" G 2V PASS	1
17	08543136	TUBE FOR LUBRICATION 6X3	1
18	50000669	COMPL. ASSY TENSIONING RAIL D.70	1
19	50001536	CYLINDER CONNECTION PLATE	2
20	50001584	CHAIN 6 LINKS	1
21	50001920-52	COMPL. ASSY PICK-UP 200	1
22	50002102	CHAIN ASA 60 35 LINKS + JOINT	1
23	50004100-52	WELD ASSY PICK-UP COVER PLATE RIGHT	1
24	50004110-52	WELD ASSY PICK-UP COVER PLATE LEFT	1
25	54001228	SPRING PICK-UP ZB	1
26	54003130	PIN ZB	2
27	54004262-52	WELD ASSY FRONT FULCRUM COVER PLATE	1
28	54006103	PICK-UP CYLINDER BLACK	1

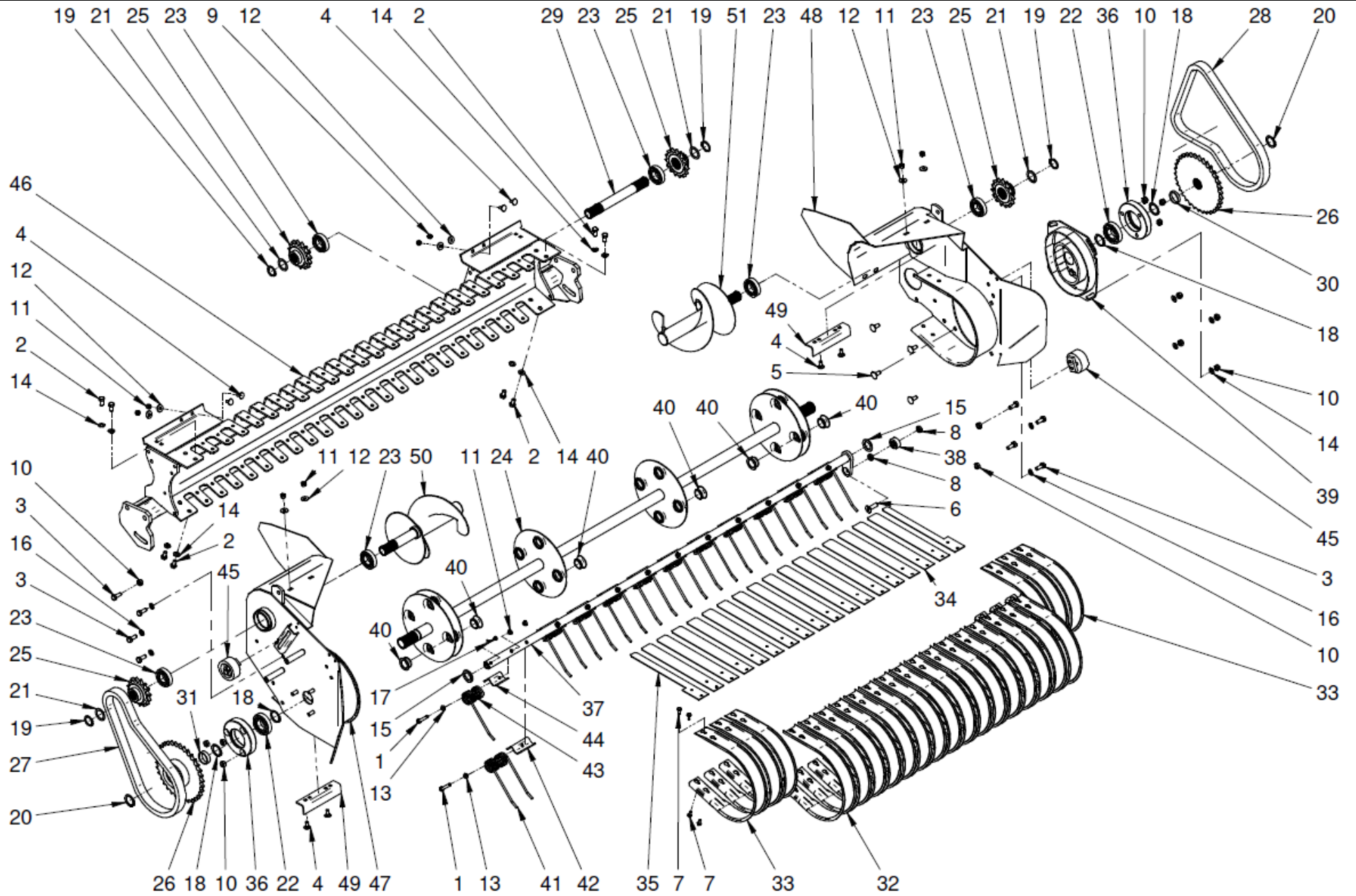
S.N.



S.N.

Pos.	Code	Description	Quantity
1	020.057	SCREW TE M 8X50 8.8 5737 ZB	48
2	020.100	SCREW TE M 10X20 8.8 5739 ZB	8
3	020.101	SCREW TE M 10X25 8.8 5739 ZB	8
4	020.600	SCREW TTQST M 8X20 4.6 5731 ZB	8
5	020.617	SCREW TTQST M 10X25 4.6 5731 ZB	4
6	020.636	SCREW TSPEI M 12X40 10.9 5933 ZB	4
7	020.961	SCREW TE M 6X16 8.8 6921 ZB	88
8	021.030	NUT E 6S M 12 5589 ZB	8
9	021.102	SELF-LOCKING NUT M 8 7474 ZB	2
10	021.103	SELF-LOCKING NUT M10 UNI 7474 ZB	13
11	021.114	SELF-LOCKING NUT M8 7473 ZB	54
12	023.017	FLAT WASHER M8=9X24X2 6593 ZB	8
13	023.020	FLAT WASHER M8=8,4X16X1,6 6592 ZB	48
14	023.030	FLAT WASHER M10=10,5X20X2 6592 ZB	12
15	023.094	WASHER 28X42X4	8
16	023.302	GROWER WASHER A M10-D.10,5 1751 ZBD	5
17	024.232	COVER D. 4X40 ZB 1336	4
18	028.112	SEEGER RING EXT. D.35 7435/471	4
19	028.255	SEEGER RING EXT. D. 30 7436 (HEAVY)	4
20	028.257	SEEGER RING EXT. D. 34 7436 (HEAVY)	2
21	028.322	RING TYPE "PS" 30X42X1 DIN988	4
22	050.008	BEARING 6207-2RS	2
23	050.103	BEARING 30X62X13 6206-2RS1	6
24	08500204-52	WELD ASSY TRANSMISSION SHAFT	1
25	08500209-52	GEAR Z=15 3/4"ISO	4
26	08500210-52	GEAR Z=34 3/4" ISO	2
27	08500211	CHAIN ISO 56 LINKS	1
28	08500212	CHAIN ISO 64 LINKS	1
29	08500213	RETURN SHAFT	1
30	08500214	COMMAND SPACER SX 35X8	1
31	08500215	CONTROL SPACER DX 35X12	1
32	08500219-52	GUIDING BAND SV 729	16
33	08500220-52	GUIDING BAND SP SV 729	6
34	08500221-52	BAND EXTENSION PICK-UP	16
35	08500222-52	BAND EXTENSION SP"N25T" PICK-UP	2
36	08500223-52	SUPPORT SHAFT 72	2
37	08501054	SPRING SUPPORT TUBE	4
38	08501055	TRACK ROLLERS LR5201 NPPU	4
39	08501070-52	WELD ASSY CAM ORIENT. ESTR.	1
40	500.008	NYLON BUSHING (PICK-UP ROLLER)	24

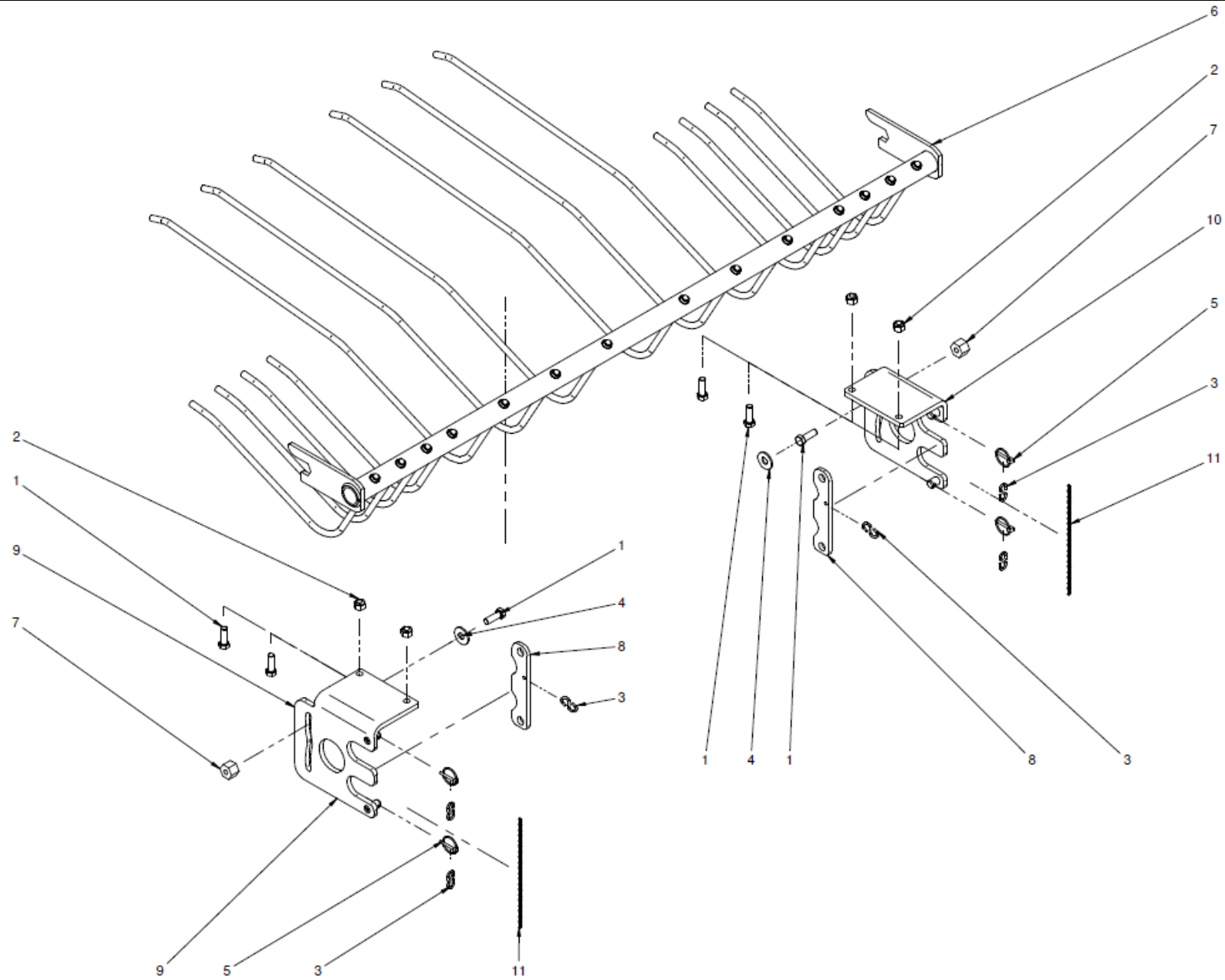
S.N.



S.N.

Pos.	Code	Description	Quantity
41	500.077-52	SPRING (PICK-UP 2001)	44
42	500.078-52	PLATE (PICK-UP 2001)	44
43	500.090-52	SPRING "U25R D.5.5" SP CL "C"	4
44	500.091-52	PLATE "U" DW.88.107/1	4
45	50000669	COMPL. ASSY TENSIONING RAIL D.70	2
46	50001050-52	WELD ASSY PICK-UP 200 STRUCTURES	1
47	50001200-52	WELD ASSY RIGHT SIDE PICK-UP 200	1
48	50001202-52	WELD ASSY LEFT SIDE PICK-UP 200	1
49	50001238	AUGER SCRAPER	2
50	50001420-52	WELD ASSY RIGHT AUGER	1
51	50001430-52	WELD ASSY LEFT AUGER	1

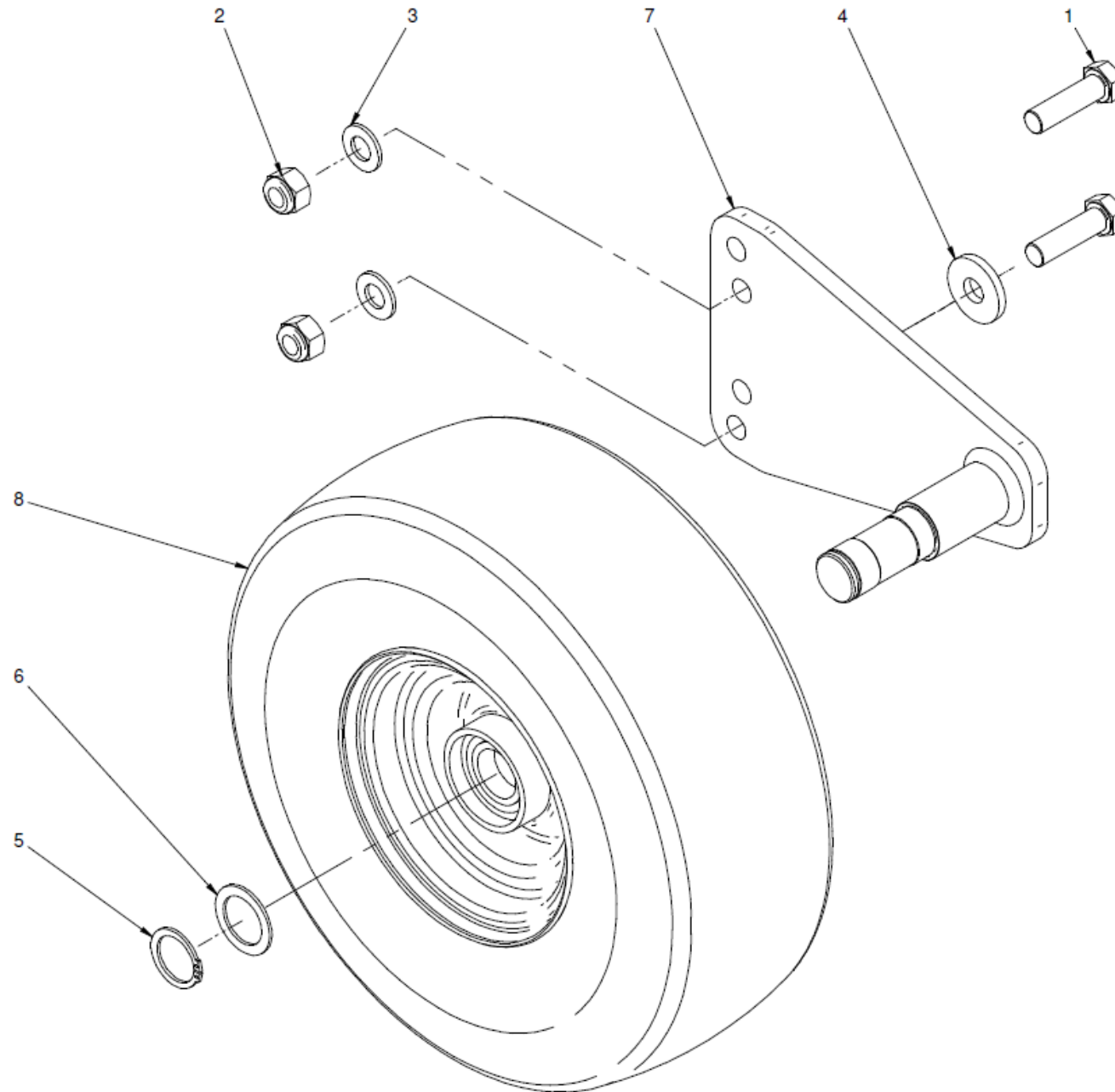
S.N.



S.N.

Pos.	Code	Description	Quantity
1	020.153	SCREW TE M 12X35 8.8 5739 ZB	6
2	021.113	SELF-LOCKING NUT M12 7473 ZB	4
3	022.250	S-FORM CONNECTION D. 3,5 ZB	6
4	023.025	FLAT WASHER M12=14X36X3 6593 ZB	2
5	024.016	PIN LOCK DIN 11023 \varnothing 4.5	4
6	50001680	WELD ASSY MIDDLE SIZE RAKE	1
7	50001694	RAKE PIN	2
8	50001700	ARREST RAKE	2
9	50001706	WELD ASSY RAKE CONNECTION RIGHT	1
10	50001708	WELD ASSY RAKE CONNECTION LEFT	1
11	50001709	CHAIN 6,5X15X1,5 20 LINKS	2

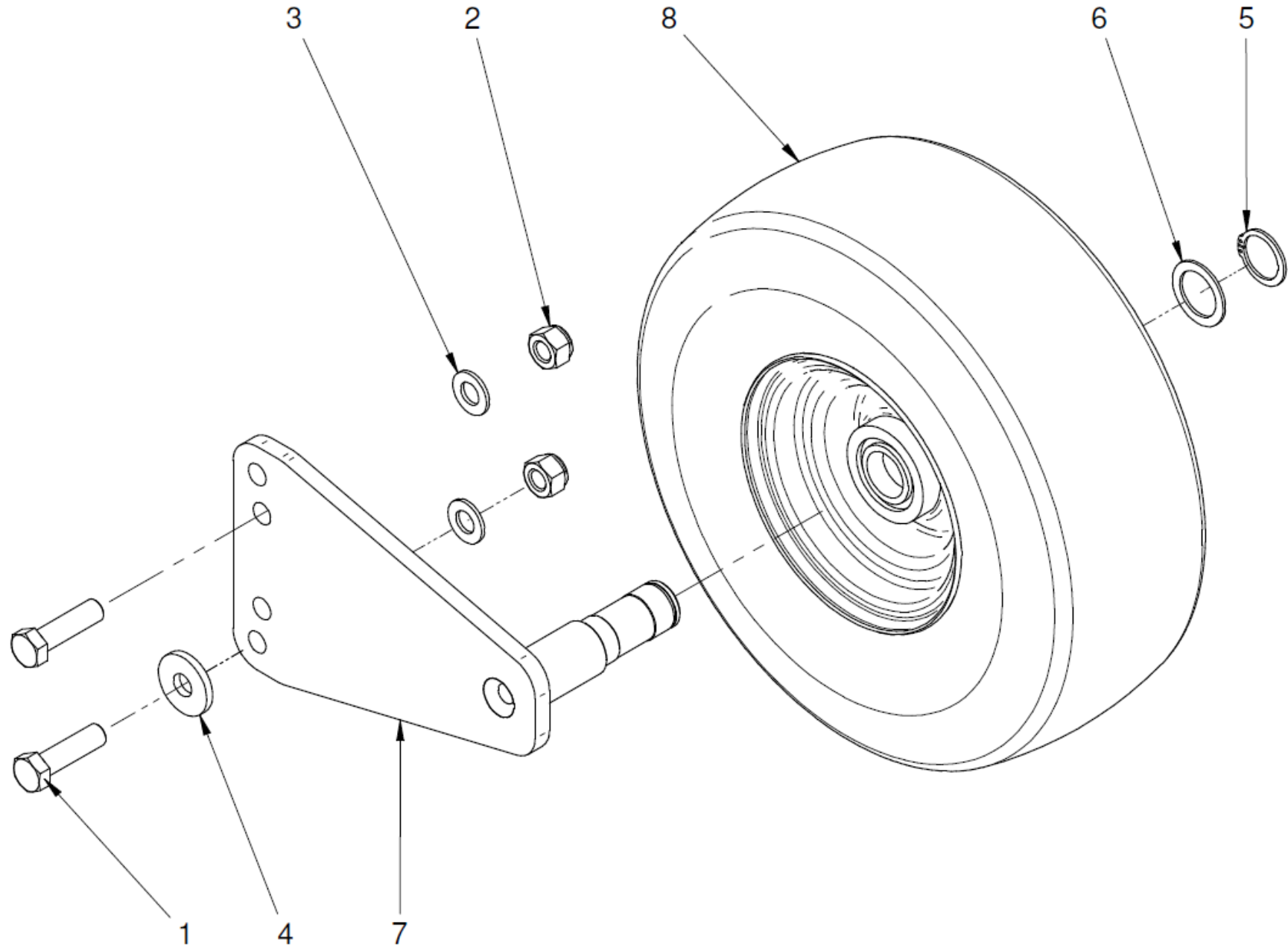
S.N.



S.N.

Pos.	Code	Description	Quantity
1	020.202	SCREW TE M 14X50 8.8 5737 ZB	2
2	021.120	SELF-LOCKING NUT M14 7473 ZB	2
3	023.035	FLAT WASHER M14=15X28X2,5 6592 ZB	2
4	023.610	FLAT WASHER M14=15X40X5 D6340 ZB	1
5	028.255	SEEGER RING EXT. D. 30 7436 (HEAVY)	1
6	028.324	RING TYPE "PS" 30X42X2 DIN 988	1
7	50001507-52	WELD ASSY PICK-UP WHEEL SUPPORT	1
8	50001514	COMPL. ASSY PICK-UP WHEEL	1

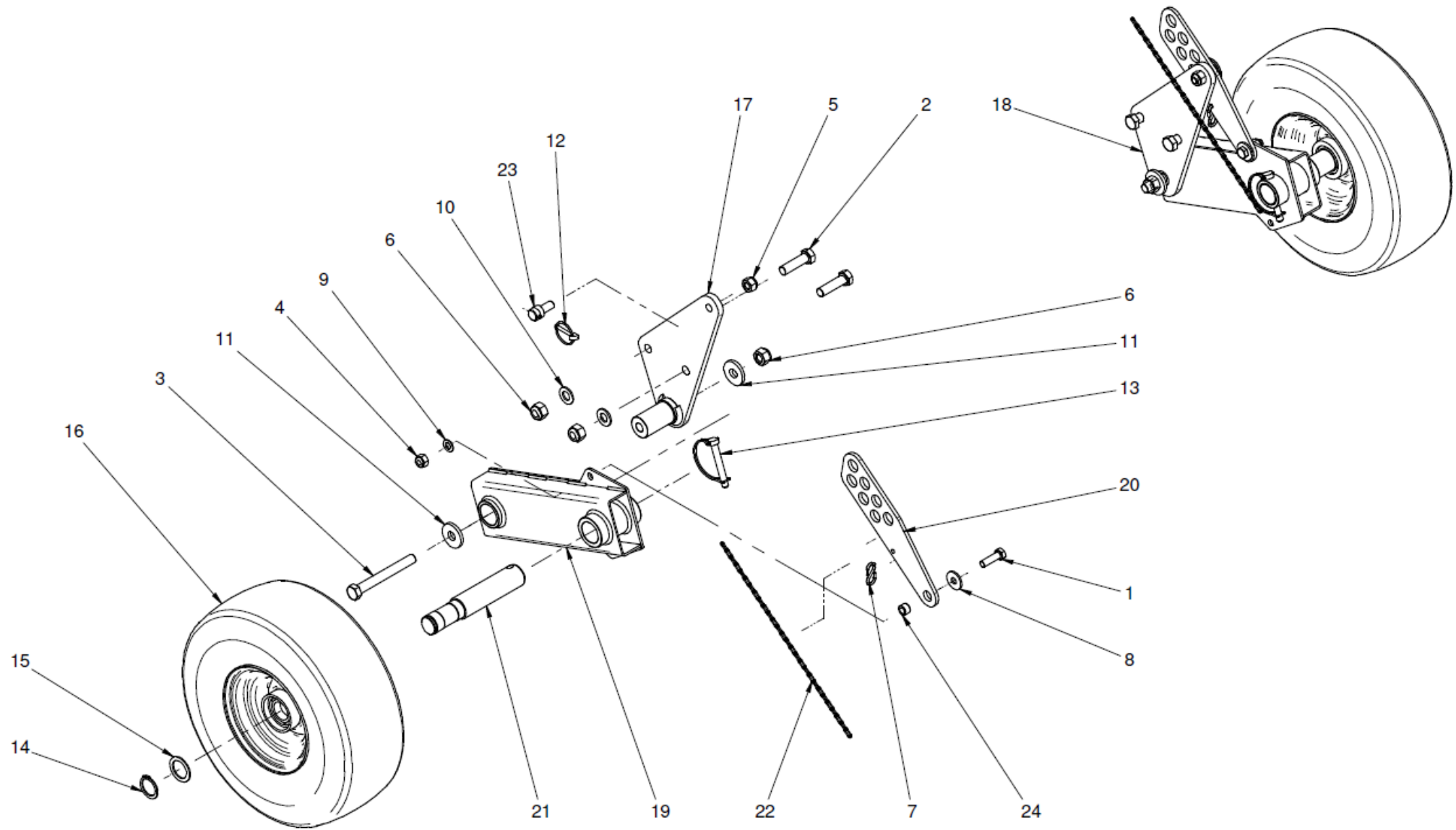
S.N.



S.N.

Pos.	Code	Description	Quantity
1	020.202	SCREW TE M 14X50 8.8 5737 ZB	2
2	021.120	SELF-LOCKING NUT M14 7473 ZB	2
3	023.035	FLAT WASHER M14=15X28X2,5 6592 ZB	2
4	023.610	FLAT WASHER M14=15X40X5 D6340 ZB	1
5	028.255	SEEGER RING EXT. D. 30 7436 (HEAVY)	1
6	028.324	RING TYPE "PS" 30X42X2 DIN 988	1
7	50001507-52	WELD ASSY PICK-UP WHEEL SUPPORT	1
8	50001514	COMPL. ASSY PICK-UP WHEEL	1

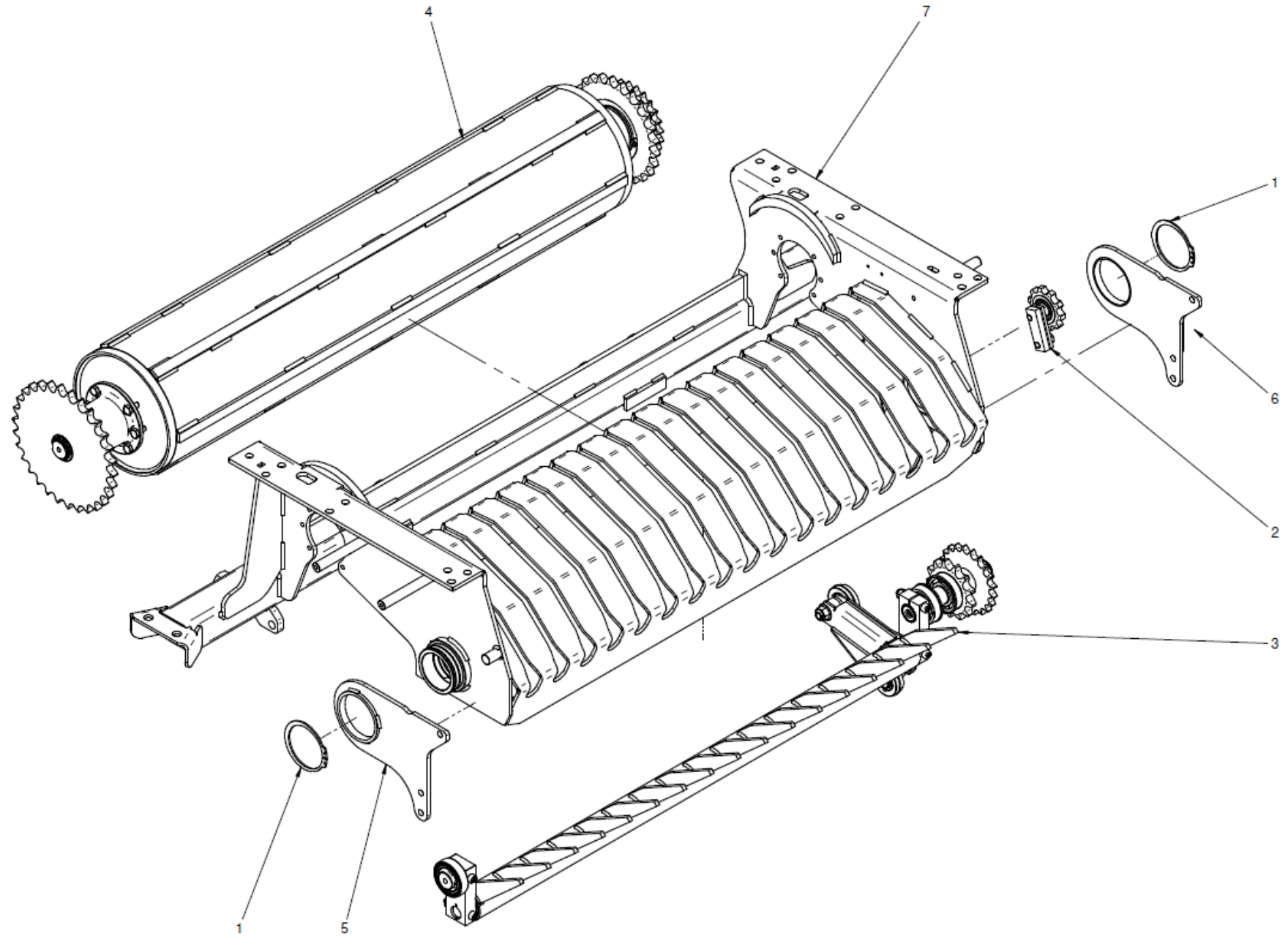
S.N.



S.N.

Pos.	Code	Description	Quantity
1	020.129	SCREW TE M 10X35 8.8 5737 ZB	2
2	020.202	SCREW TE M 14X50 8.8 5737 ZB	4
3	020.209	SCREW TE M 14X120 8.8 5737 ZB	2
4	021.112	SELF-LOCKING NUT M10 7473 ZB	2
5	021.113	SELF-LOCKING NUT M12 7473 ZB	2
6	021.120	SELF-LOCKING NUT M14 7473 ZB	6
7	022.250	S-FORM CONNECTION D. 3,5 ZB	2
8	023.027	FLAT WASHER M10=11X30X2,5 6593 ZB	2
9	023.030	FLAT WASHER M10=10,5X20X2 6592 ZB	2
10	023.035	FLAT WASHER M14=15X28X2,5 6592 ZB	4
11	023.610	FLAT WASHER M14=15X40X5 D6340 ZB	4
12	024.016	PIN LOCK DIN 11023 ø 4.5	2
13	024.031	SMALL ARCH PIN D.10 L=70 B=56	2
14	028.255	SEEGER RING EXT. D. 30 7436 (HEAVY)	2
15	028.324	RING TYPE "PS" 30X42X2 DIN 988	2
16	50001514	COMPL. ASSY PICK-UP WHEEL	2
17	50001550	WELD ASSY ADJUST. PK WHEEL SUPPORT RIGHT	1
18	50001551	WELD ASSY ADJUST. PK WHEEL SUPPORT LEFT	1
19	50001554	WELD ASSY PICK-UP WHEEL SHAFT	2
20	50001560	PICK-UP WHEEL ADJUSTABLE ROD	2
21	50001561	PICK-UP WHEEL ADJUSTABLE SHAFT	2
22	50001562	ADJUSTABLE PICK-UP WHEELS CHAIN	2
23	51000204	WHEEL ADJUSTING PIN	2
24	61006319	BUSH D=10-16	2

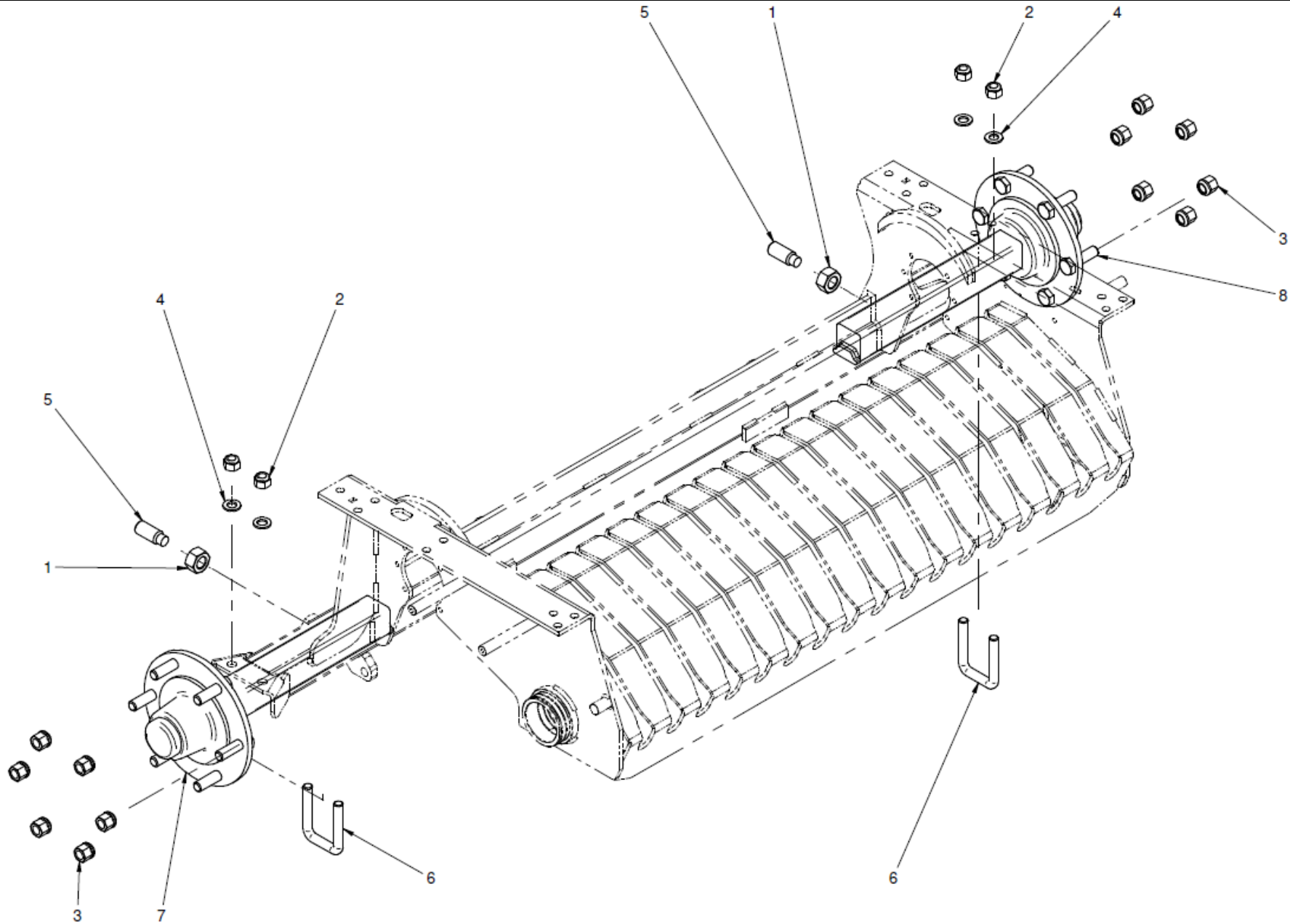
S.N.



S.N.

Pos.	Code	Description	Quantity
1	028.160	SEEGER RING EXT. D. 90 7435/471	2
2	50000668	COMPL. ASSY LOWER TENSIONER "ACTION 120"	1
3	50000670	COMPL. ASSY COMB-FEEDER "ACTION"	1
4	50000671	COMPL. ASSY FRONT ROLLER "ACTION"	1
5	50001500	WELD ASSY PICK-UP FASTENER 2007 RIGHT	1
6	50001501	WELD ASSY PICK-UP FASTENER 2007 LEFT	1
7	50001610	WELD ASSY LOWER FRAME 120	1

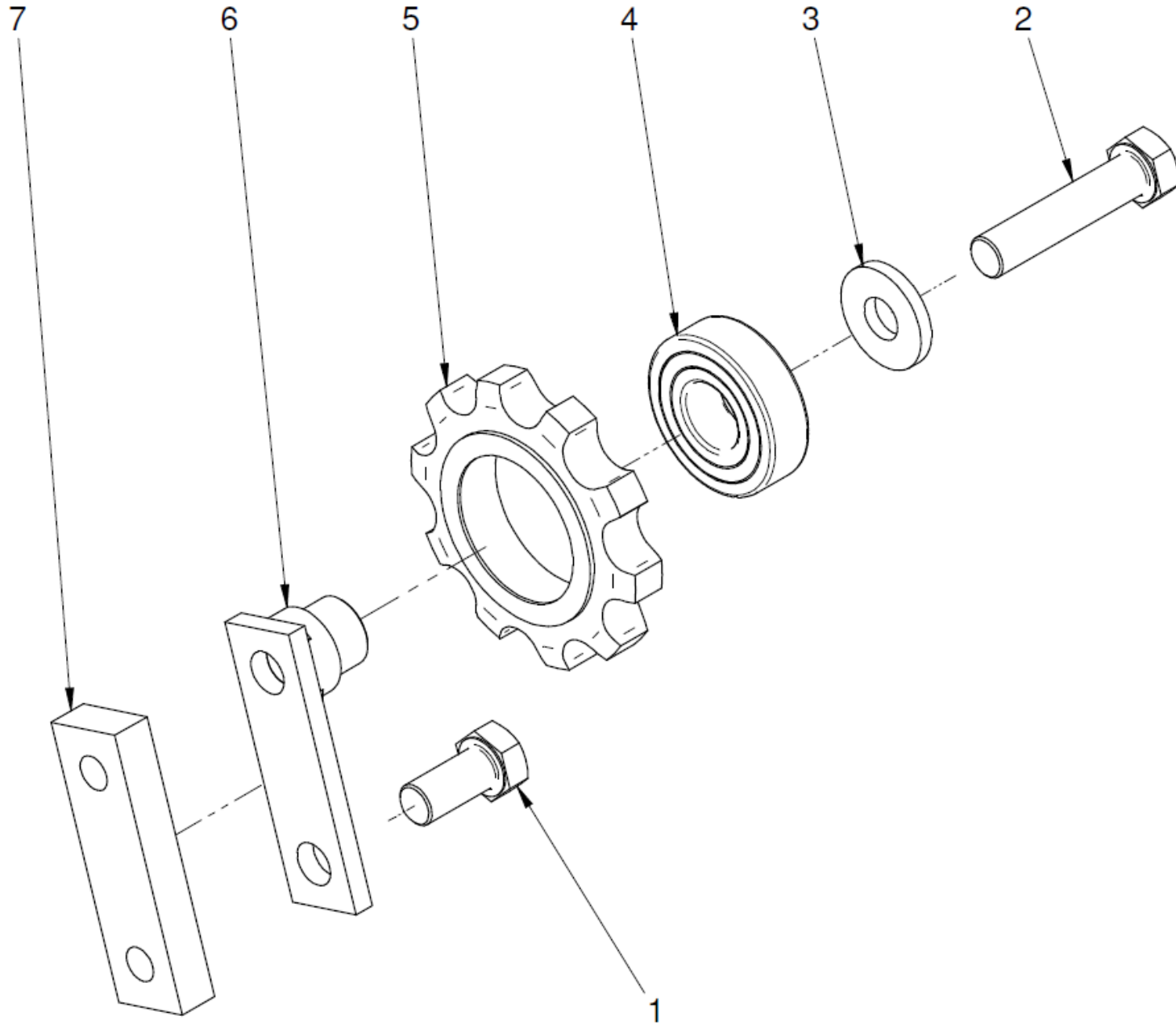
S.N.



S.N.

Pos.	Code	Description	Quantity
1	021.011	NUT E 6S M 24 5588 ZB	2
2	021.123	SELF-LOCKING NUT M14 7473 ZB	4
3	021.238	WHEEL NUT M18X1,5 UNI 3740 ZB	12
4	023.045	FLAT WASHER M16=17X30X3 6592 ZB	4
5	026.300	GRAIN CE 14.9 M24X60 5925	2
6	50001716	U-BOLT M16 (SQUARE 55)	2
7	50001722	WELD ASSY HUB RIGHT	1
8	50001723	WELD ASSY HUB LEFT	1

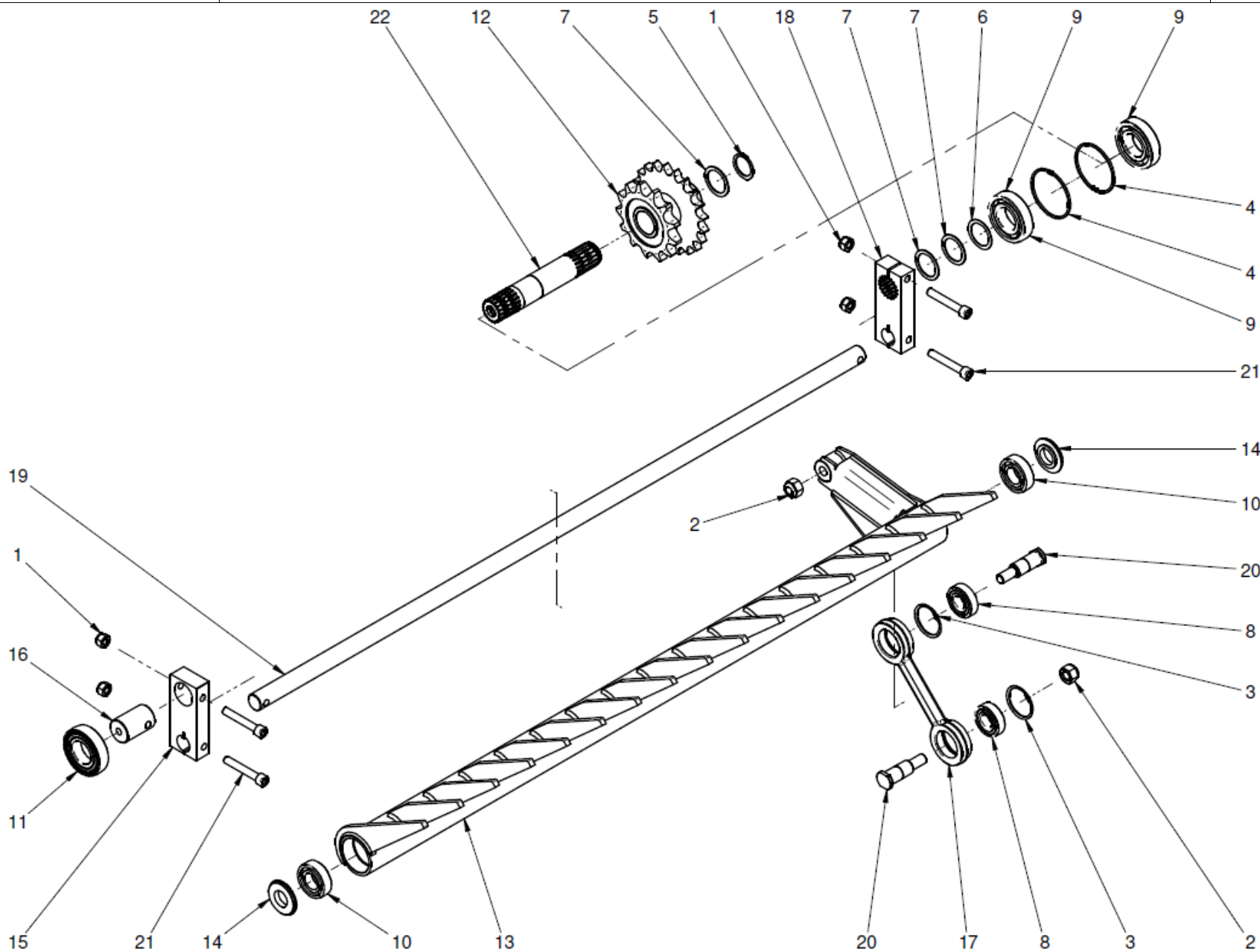
S.N.



S.N.

Pos.	Code	Description	Quantity
1	020.151	SCREW TE M 12X025 8.8 5739 ZB	1
2	020.157	SCREW TE M 12X55 8.8 5737 ZB	1
3	023.180	WASHER SPEC. M12=12,5X30X4 ZB	1
4	050.007	BEARING 20X47X14 6204-2RS	1
5	54002243	TIGHTENER PINION ZB	1
6	54002272	WELD ASSY TIGHTENER ZB	1
7	54002278	TIGHTENER PULLING PLATE ZB	1

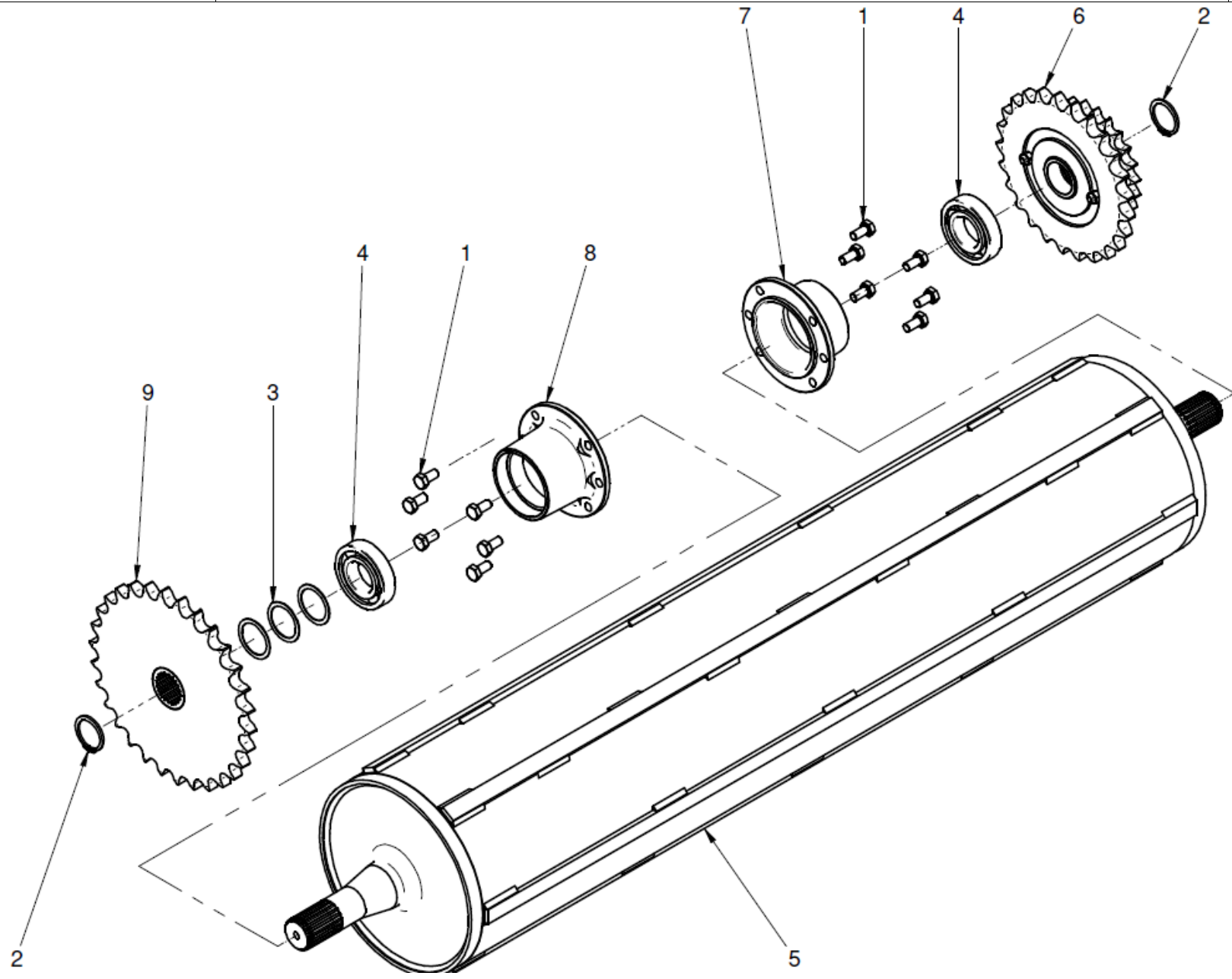
S.N.



S.N.

Pos.	Code	Description	Quantity
1	021.112	SELF-LOCKING NUT M10 7473 ZB	4
2	021.120	SELF-LOCKING NUT M14 7473 ZB	2
3	028.005	SEEGER RING INT. D. 47 743/472	2
4	028.022	SEEGER RING INT. D. 72 7437/742	2
5	028.256	SEEGER RING EXT. D. 32 7436 (HEAVY)	1
6	028.311	RING TYPE "PS" 35X45X1 DIN988	1
7	028.315	RING TYPE "PS" 35X45X1,5 DIN 988	3
8	050.007	BEARING 20X47X14 6204-2RS	2
9	050.008	BEARING 6207-2RS	2
10	050.010	BEARING 6205-2RS	2
11	050.087	BEARING INA 207 NPPB (35X72X17)	1
12	50002505	WELD ASSY FIX ROTOR PINION	1
13	54000990	WELD ASSY ROTORY FEEDER FORK 2008	1
14	54001008	ROTORY FEEDER PROTECTION	2
15	54001009	FORK CONNECTING ROD ZB	1
16	54001014	SHAFT AXLE COMB-FEEDER	1
17	54001020	CONNECTING ROD	1
18	54001022	FORK SPLINED CONNECTION ROD ZB	1
19	54001091	FEEDER SHAFT	1
20	54001220	FORK PIN	2
21	54001246	SCREW TCEI M 10X65 12.9 (UNI 5931)	4
22	54001258	FEEDER JOINT SHAFT	1

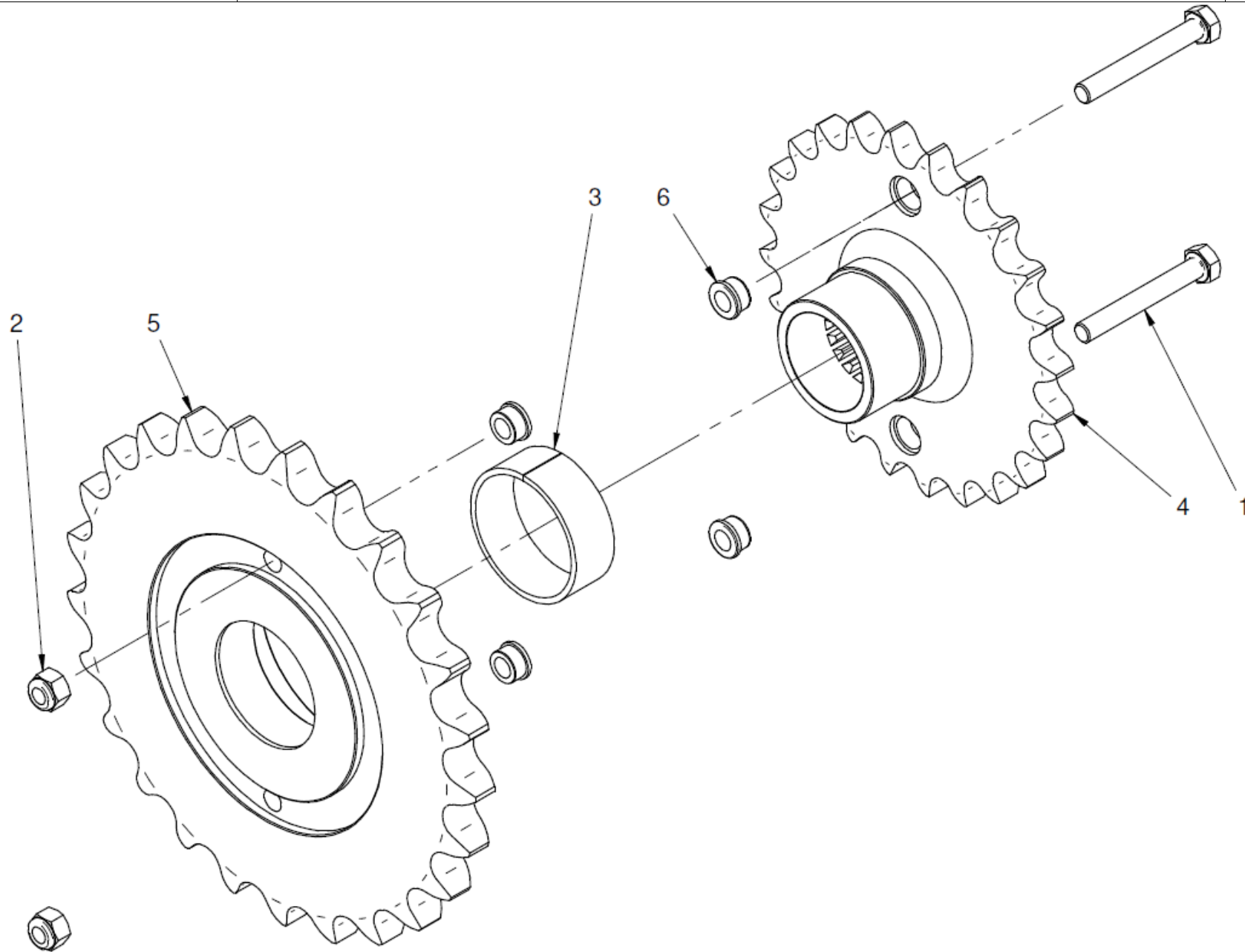
S.N.



S.N.

Pos.	Code	Description	Quantity
1	020.100	SCREW TE M 10X20 8.8 5739 ZB	12
2	028.260	SEEGER RING EXT. D. 38 7436 (HEAVY)	2
3	028.328	RING TYPE "PS" 50X40X1 DIN 988	3
4	050.016	BEARING 6208-2RS	2
5	50002010	WELD ASSY FRONT ROLLER	1
6	50002500	COMPL. ASSY PIN. Z25 Z24 WITH SAFE. BOLT	1
7	50002510	ROLLER SUPPORT LEFT	1
8	50002530	ROLLER SUPPORT RIGHT	1
9	50002532	WELD ASSY FRONT ROLLER PINION RIGHT	1

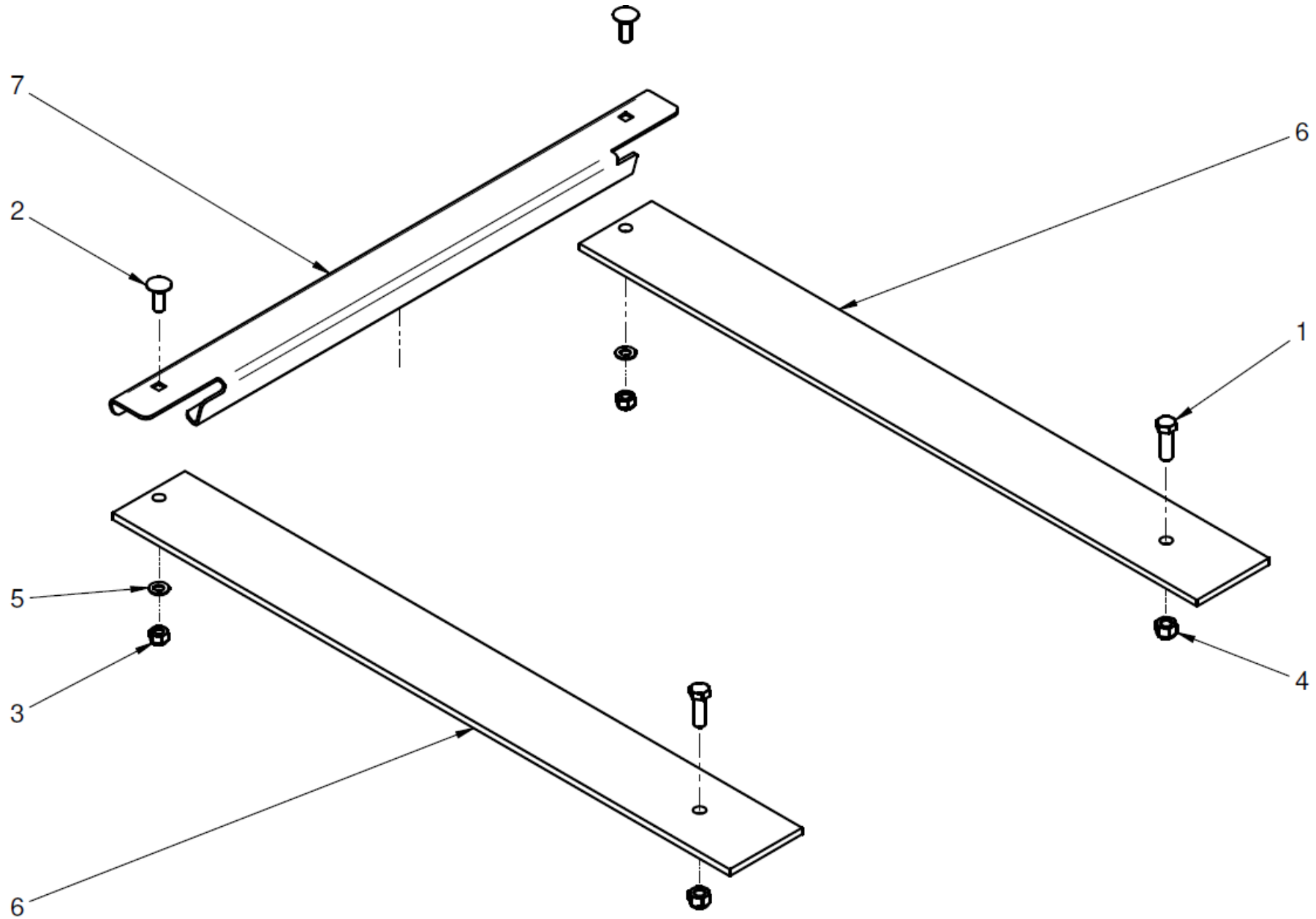
S.N.



S.N.

Pos.	Code	Description	Quantity
1	020.058	SCREW TE M 8X60 8.8 5737 ZB	2
2	021.114	SELF-LOCKING NUT M8 7473 ZB	2
3	052.147	BUSH 50-55-20	1
4	50002501	WELD ASSY PINION ASA60 Z=24 BOLT T.	1
5	50002504	RIM 16B Z=25 WITH BOLT	1
6	54001114	FEEDER SECUTITY BUSH	4

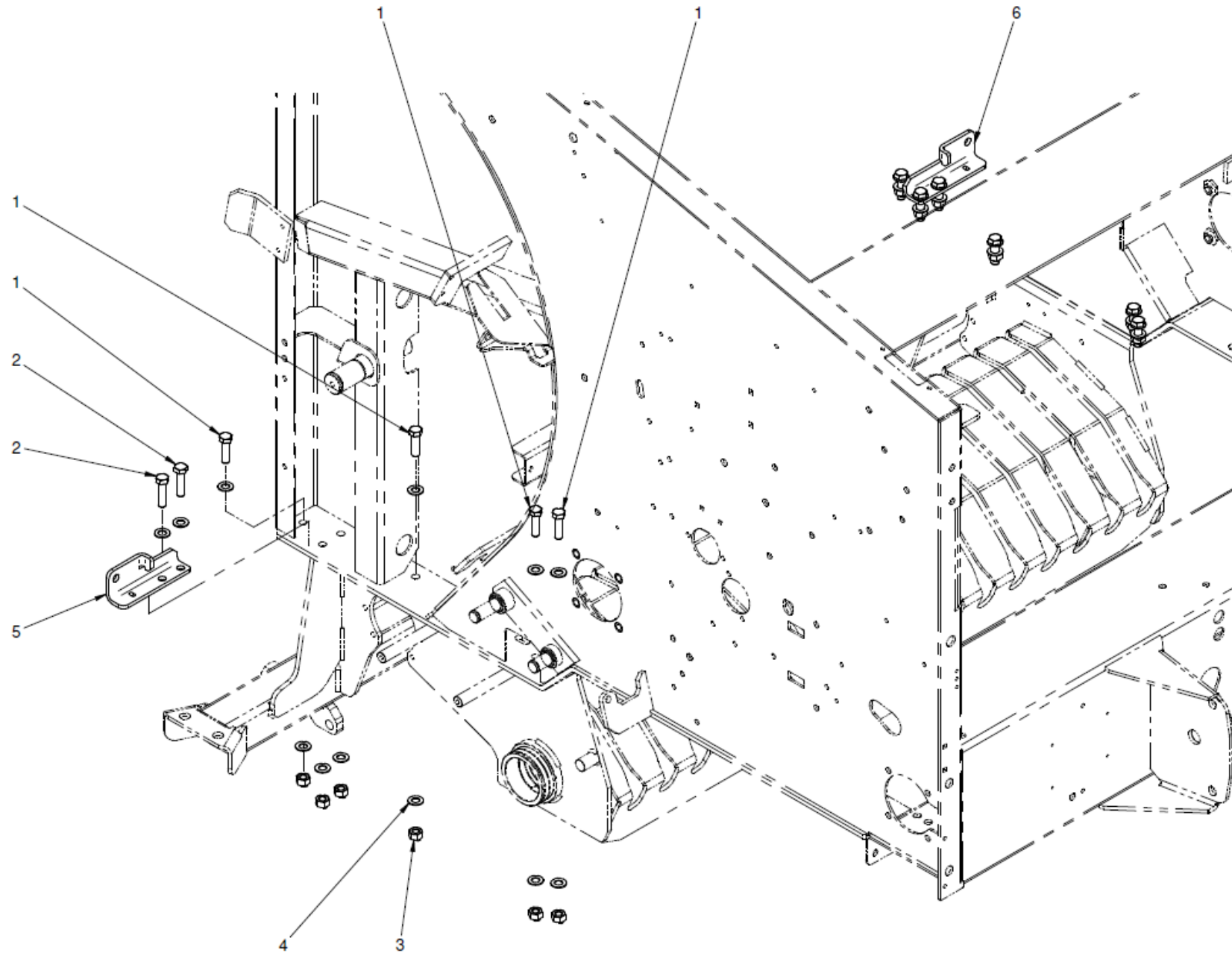
S.N.



S.N.

Pos.	Code	Description	Quantity
1	020.153	SCREW TE M 12X35 8.8 5739 ZB	2
2	020.605	SCREW TTQST M 10X30 4.6 5731 ZB	2
3	021.112	SELF-LOCKING NUT M10 7473 ZB	2
4	021.113	SELF-LOCKING NUT M12 7473 ZB	2
5	023.030	FLAT WASHER M10=10,5X20X2 6592 ZB	2
6	50000430	MAIN PLATE EJECTOR	2
7	50000432	ANTI-THRUST CROSSBAR	1

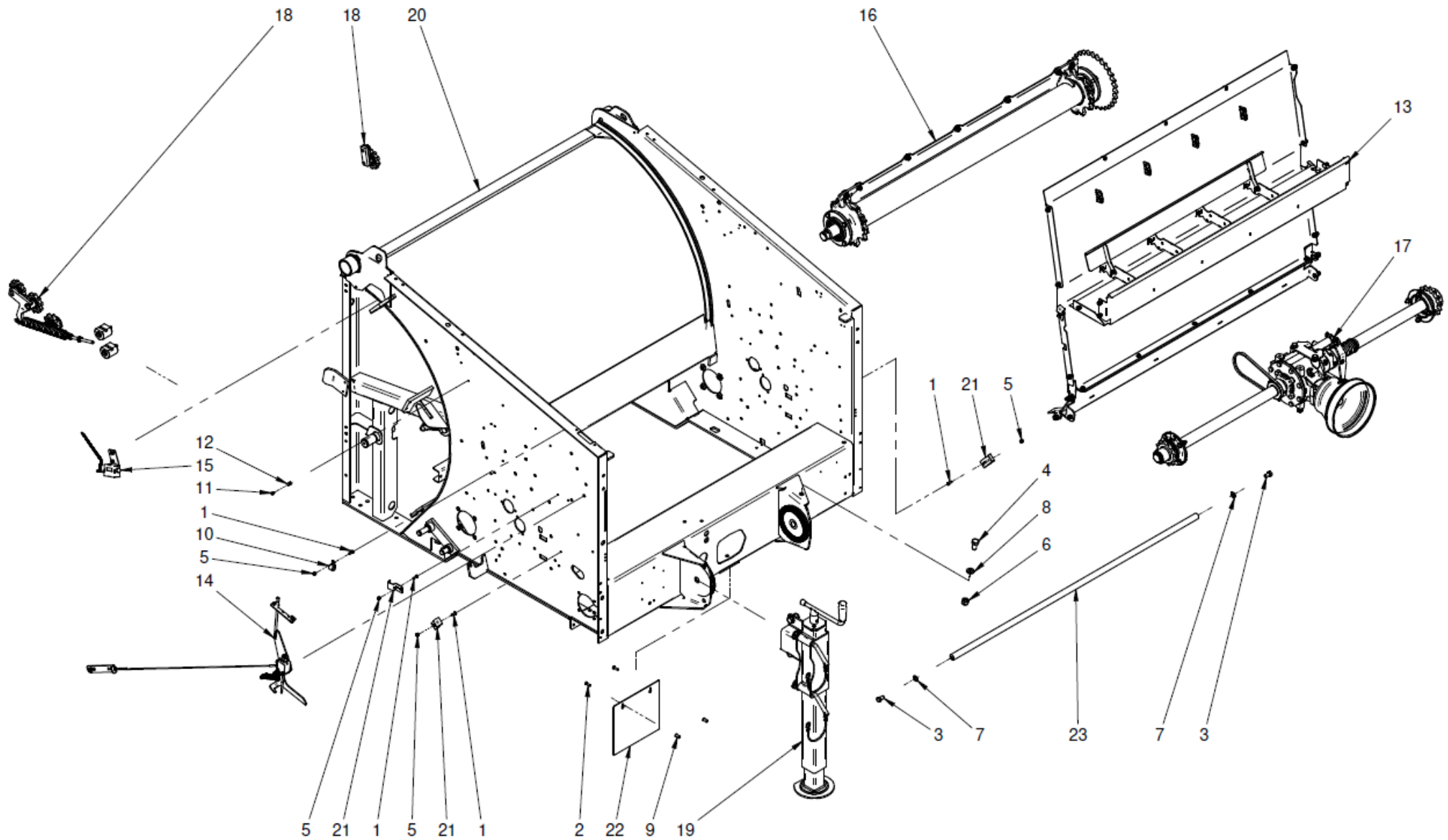
S.N.



S.N.

Pos.	Code	Description	Quantity
1	020.147	SCREW TE M 12X40 8.8 5737 ZB	8
2	020.148	SCREW TE M 12X45 8.8 5737 ZB	4
3	021.113	SELF-LOCKING NUT M12 7473 ZB	12
4	023.040	FLAT WASHER M12=13X24X2,5 6592 ZB	24
5	50003136	SPRING RIGHT CONNECTION ZB	1
6	50003138	SPRING LEFT CONNECTION ZB	1

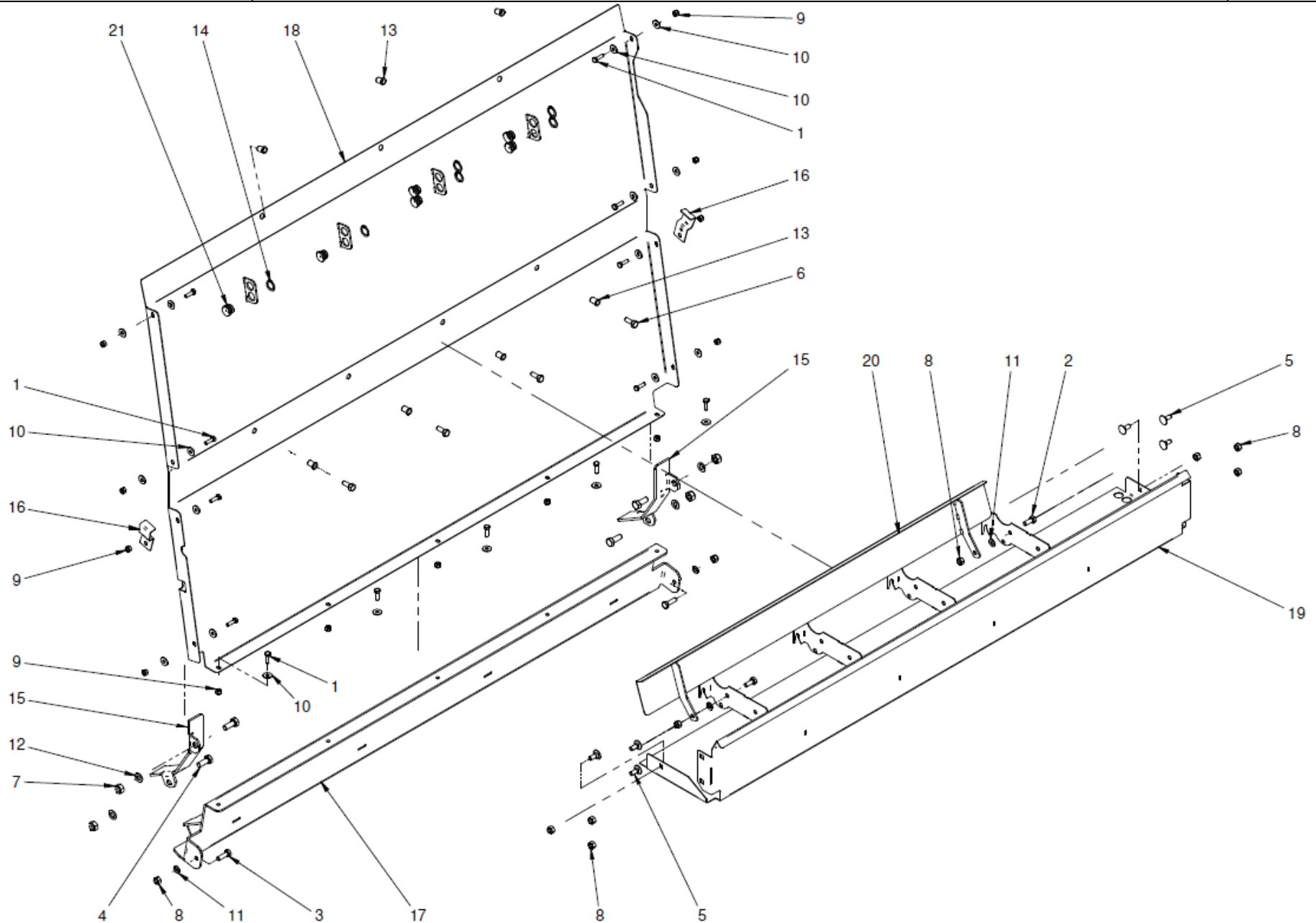
S.N.



S.N.

Pos.	Code	Description	Quantity
1	020.011	SCREW TE M 6X16 8.8 5739 ZB	4
2	020.012	SCREW TE M 6X20 8.8 ISO 4017 ZB	2
3	020.150	SCREW TE M 12X20 8.8 5739 ZB	2
4	020.252	SCREW TE M 16X30 8.8 5739 ZB	1
5	021.115	SELF-LOCKING NUT M6 7473 ZB	4
6	021.123	SELF-LOCKING NUT M14 7473 ZB	1
7	023.040	FLAT WASHER M12=13X24X2,5 6592 ZB	2
8	023.045	FLAT WASHER M16=17X30X3 6592 ZB	1
9	023.925	RIVET TC UNI 9201-B M6-8	2
10	025.402	COLLAR RUBBER TUBE TIGHTENING D.14 F.6,5	1
11	029.585	PULL RIVET UNI9200-A-5-11-P-ALMG5	1
12	08543025	TUBE-FASTENING CLAMP D=6mm	1
13	50000661	COMPL. ASSY FRONT FACE ACTION 120	1
14	50000662	COMPL. ASSY ARROW INDICATOR ACTION 120	1
15	50000663	COMPL. ASSY BALES COUNTER ACTION 120	1
16	50000665	COMPL. ASSY DRIVE SHAFT ACTION 120	1
17	50000666	COMPL. ASSY REDUCTION GEAR "ACTION 120"	1
18	50000667	COMPL. ASSY FRONT TENSIONERS ACTION 120	1
19	50000672	COMPL. ASSY PARKING JACK ACTION-GENIUS	1
20	50000900	WELD ASSY FRONT FRAME ACTION 120	1
21	50003170	TUBES SUPPORT	3
22	50004360	CLUTCH COVER PLATE	1
23	50005826	RETURNING NET ROUND BAR ZB	1

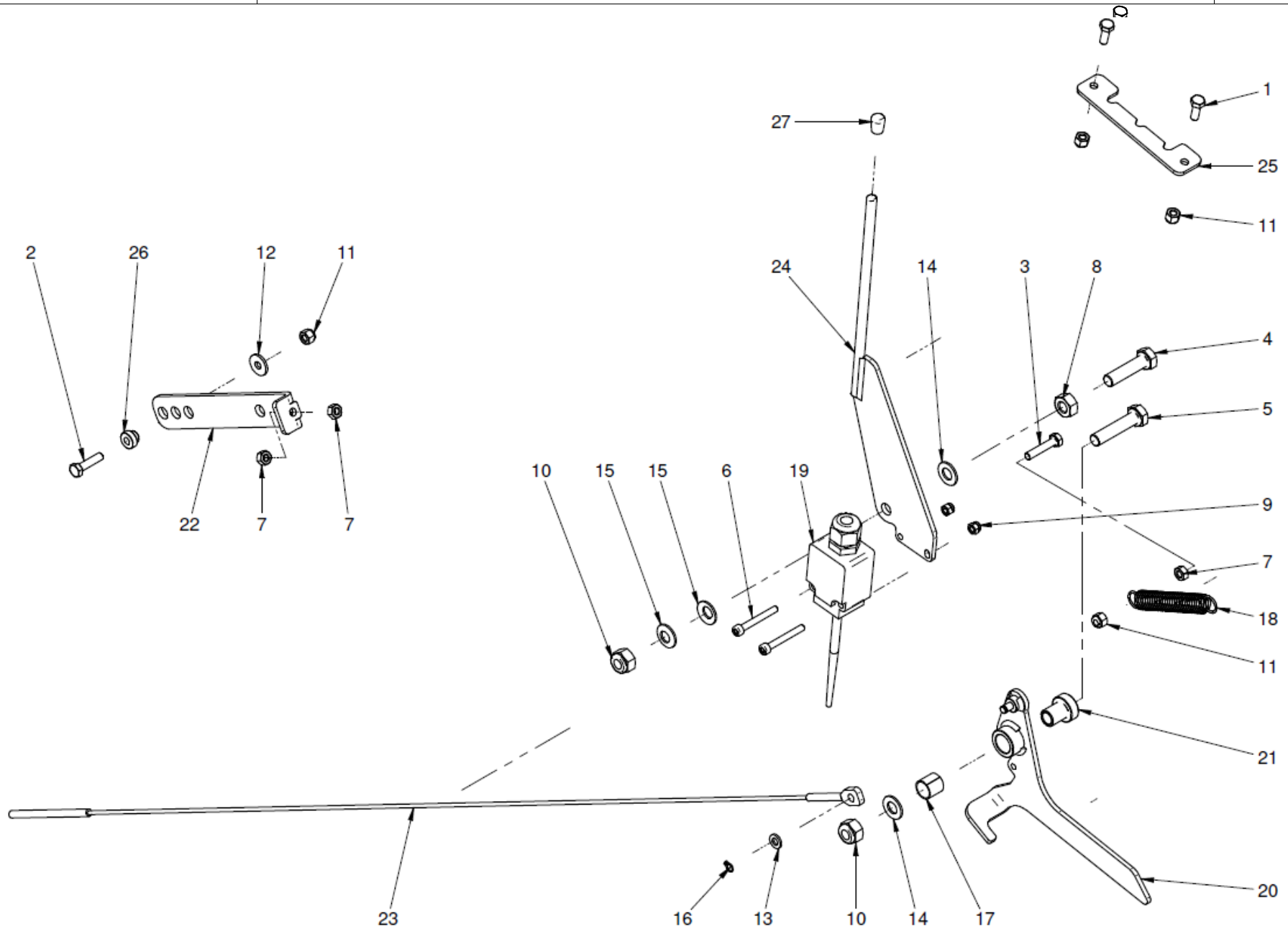
S.N.



S.N.

Pos.	Code	Description	Quantity
1	020.012	SCREW TE M 6X20 8.8 ISO 4017 ZB	13
2	020.051	SCREW TE M 8X20 8.8 5739 ZB	2
3	020.052	SCREW TE M 8X25 8.8 5739 ZB	2
4	020.101	SCREW TE M 10X25 8.8 5739 ZB	4
5	020.600	SCREW TTQST M 8X20 4.6 5731 ZB	6
6	020.965	SCREW TE M 8X20 8.8 6921 ZB	4
7	021.112	SELF-LOCKING NUT M10 7473 ZB	4
8	021.114	SELF-LOCKING NUT M8 7473 ZB	10
9	021.115	SELF-LOCKING NUT M6 7473 ZB	13
10	023.005	FLAT WASHER M6=6,6X18X2 6593 ZB	19
11	023.020	FLAT WASHER M8=8,4X16X1,6 6592 ZB	4
12	023.030	FLAT WASHER M10=10,5X20X2 6592 ZB	4
13	023.922	RIVET TC UNI 9201-B M8-8	7
14	028.237	SEEGER RING EXT. D. 18 7436 (HEAVY)	6
15	50002317	PROTECTION DRIVE SHAFT CHAIN	2
16	50003170	TUBES SUPPORT	2
17	50004254	WELD ASSY WIND PROTECTION 2016	1
18	50004281	WELD ASSY FRONT SIDE 120	1
19	50005200	WELD ASSY TWINE SPOOL CONTAINER	1
20	50005230	WELD ASSY SPOOL SUPORTING SURFACE	1
21	54005180	TWINE GUIDING BUSHING	6

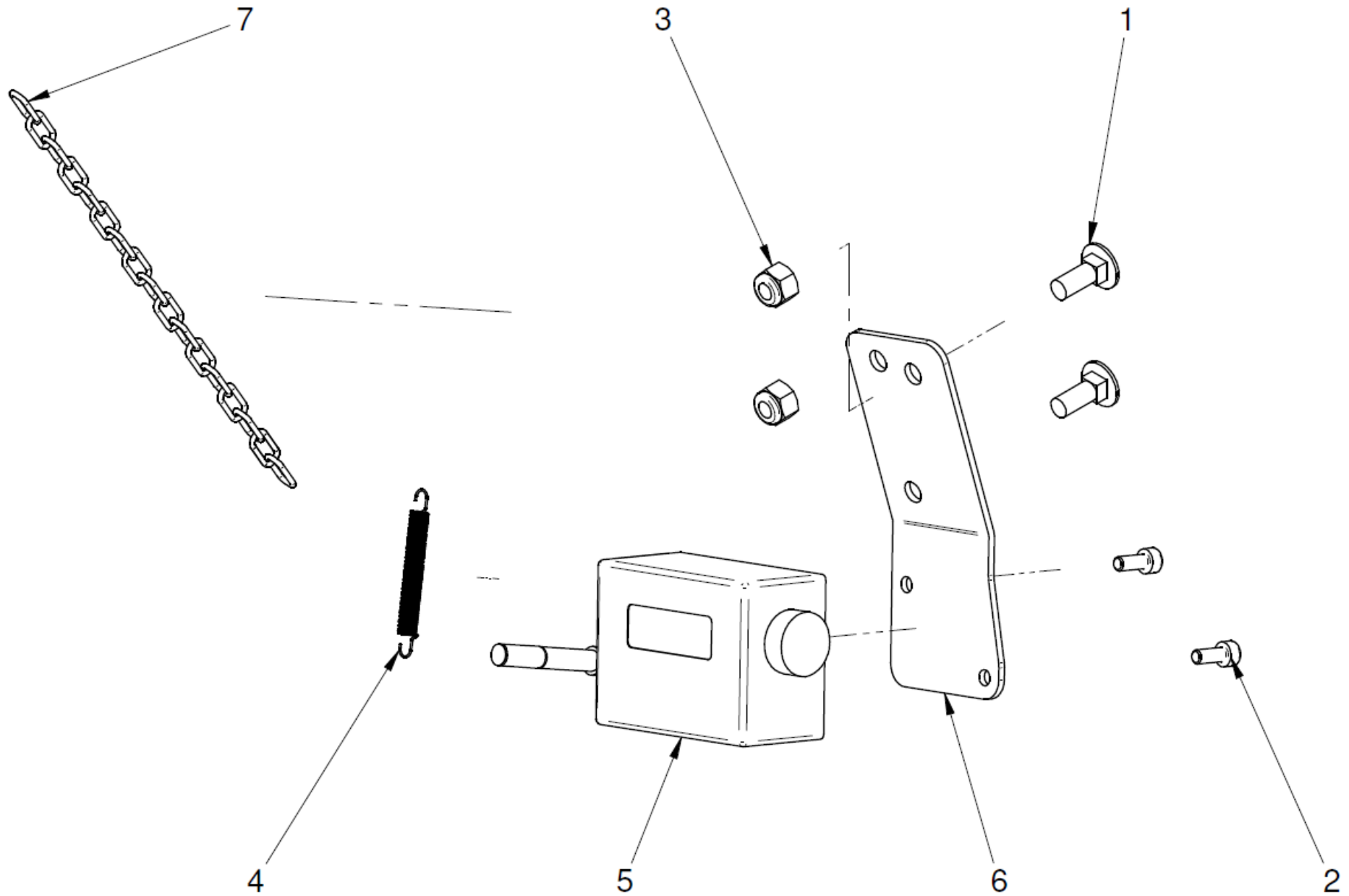
S.N.



S.N.

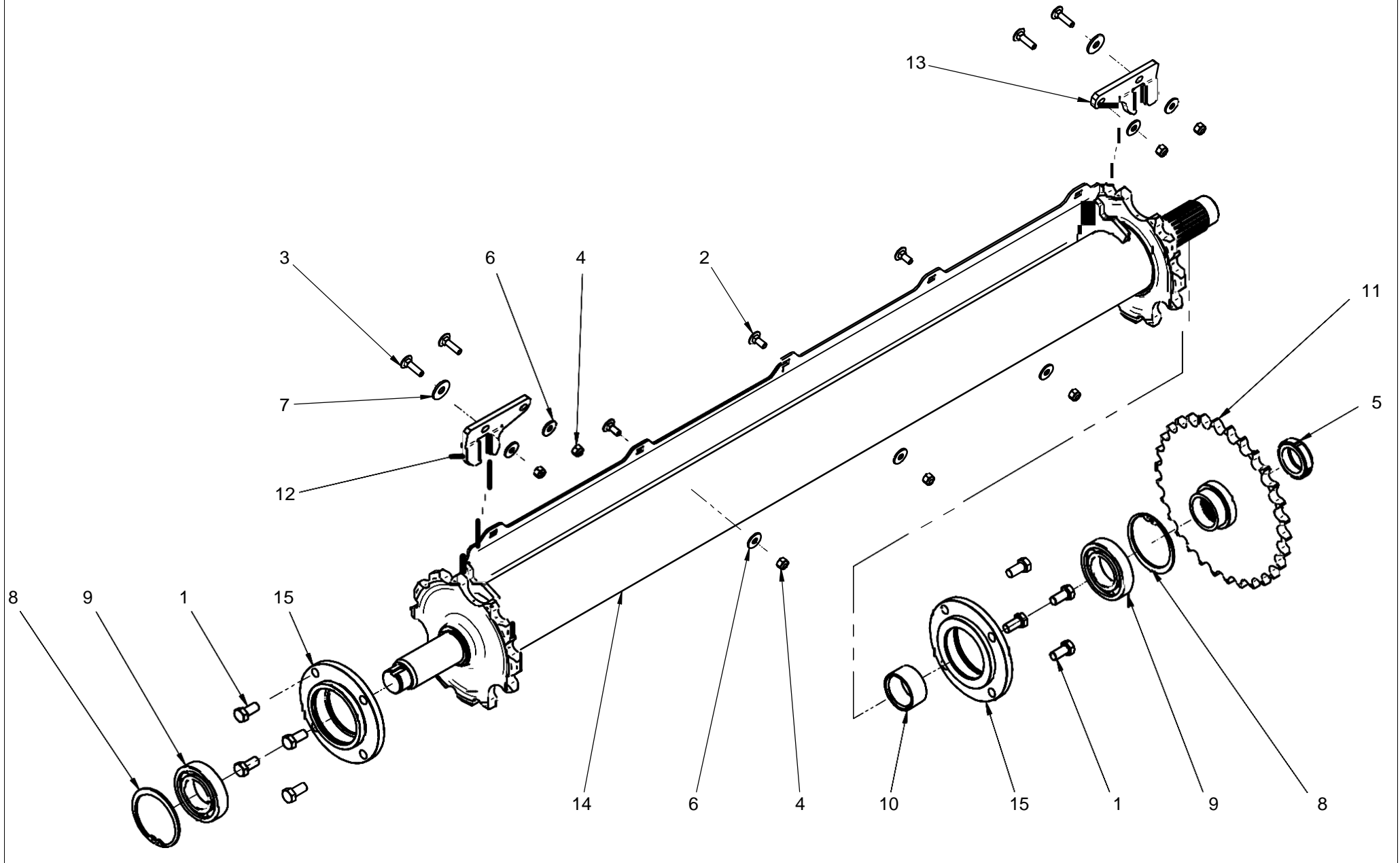
Pos.	Code	Description	Quantity
1	020.011	SCREW TE M 6X16 8.8 5739 ZB	2
2	020.013	SCREW TE M 6X25 8.8 ISO 4017 ZB	1
3	020.014	SCREW TE M 6X30 8.8 5739 ZB	1
4	020.104	SCREW TE M 10X40 8.8 5739 ZB	1
5	020.105	SCREW TE M 10X45 8.8 5737 ZB	1
6	020.492	SCREW TCEI M 5X40 8.8 ISO 4762 ZB	2
7	021.002	NUT E 6S M 6 5588 ZB	3
8	021.004	NUT E 6S M 10 5588 ZB	1
9	021.100	SELF-LOCKING NUT M5 7474 ZB	2
10	021.112	SELF-LOCKING NUT M10 7473 ZB	2
11	021.115	SELF-LOCKING NUT M6 7473 ZB	4
12	023.005	FLAT WASHER M6=6,6X18X2 6593 ZB	1
13	023.010	FLAT WASHER M6=6,3X12X1,6 6592 ZB	1
14	023.030	FLAT WASHER M10=10,5X20X2 6592 ZB	2
15	023.770	TAPER WASHER EL.D.10,2X20X2,7 ZBD	2
16	028.095	SEEGER RING EXT. D. 6 7435/471	1
17	052.160	BUSH 14-16-15	1
18	056.050	DRIVE SPRING (1,5X15X73) ZB	1
19	076.377	MICRO SWITCH CONNECTOR AND CABLE	1
20	50003210	WELD ASSY INDICATING ARROW ZB	1
21	50003215	INDICATING ARROW PIN ZB	1
22	50003219	ROPE CONNECTION	1
23	50003220	CABLE FOR INDICATOR ARROW 120-125-155	1
24	50003226	WELD ASSY PRESSION REGULATION 120-150	1
25	50003233	SYMM. PRESSION REGULATION BRACKET120-150	1
26	61006252	PIN D=10-14 ZB	1
27	61006259	RUBBER PLUG D.8	1

S.N.



Pos.	Code	Description	Quantity
1	020.088	SCREW TTQST M 6X16 4.6 5731 ZB	2
2	020.489	SCREW TCEI M 4X10 8.8 5931 ZB	2
3	021.115	SELF-LOCKING NUT M6 7473 ZB	2
4	054.001	ZINCED TORSION SPRING 0,5X5X29	1
5	080.052	STROKE COUNTER 5 NUMBERS IP67	1
6	50006116	ACTION STROKE COUNTER STAFF	1
7	50006117	BALES COUNTER CHAIN ACTION 120	1

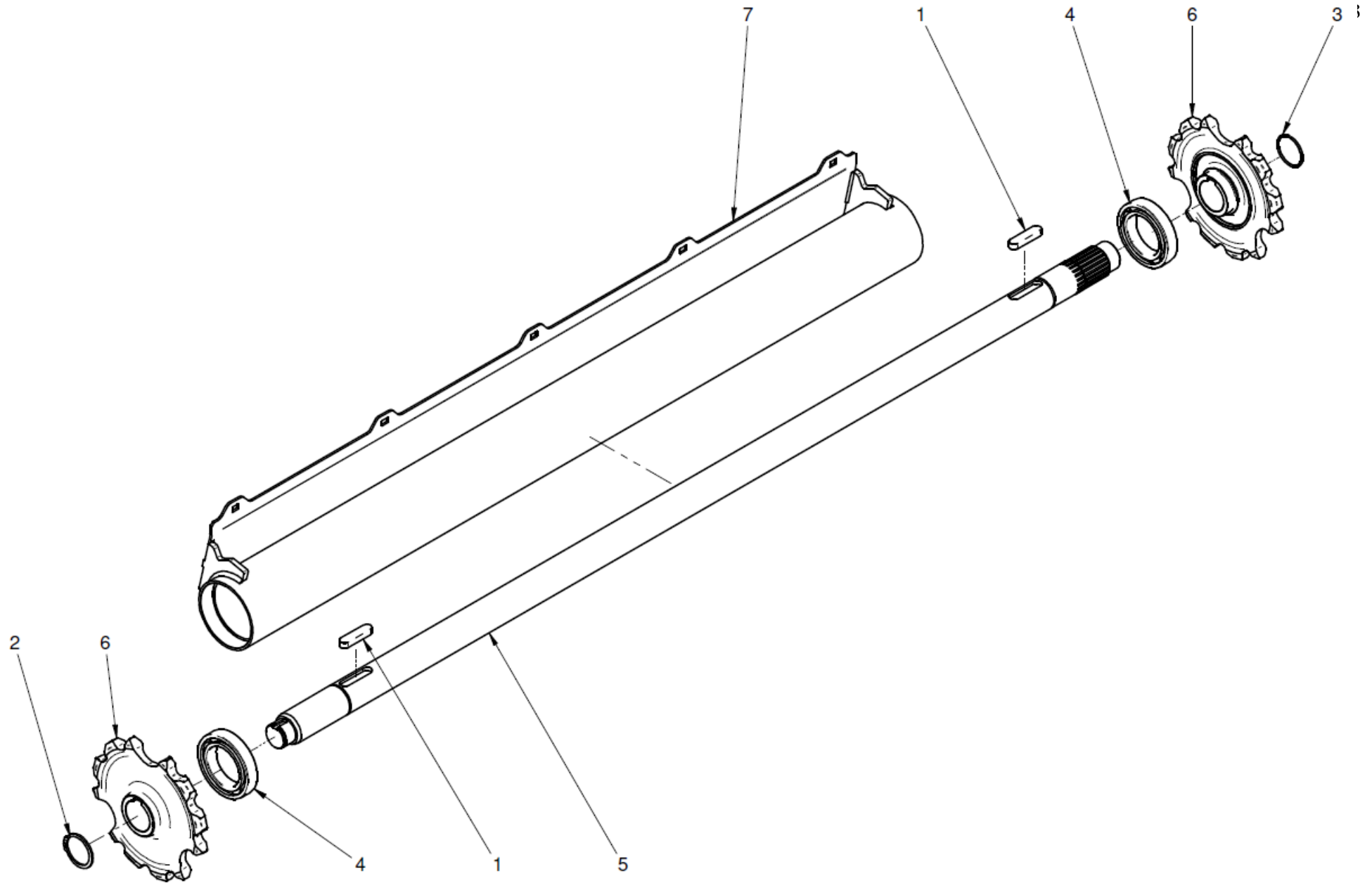
S.N.



S.N.

Pos.	Code	Description	Quantity
1	020.151	SCREW TE M 12X025 8.8 5739 ZB	8
2	020.600	SCREW TTQST M 8X20 4.6 5731 ZB	3
3	020.602	SCREW TTQST M 8X30 4.6 5731 ZB	4
4	021.114	SELF-LOCKING NUT M8 7473 ZB	7
5	021.244	LOCK RING M40X1,5 GUK	1
6	023.017	FLAT WASHER M8=9X24X2 6593 ZB	7
7	023.027	FLAT WASHER M10=11X30X2,5 6593 ZB	2
8	028.029	SEEGER RING INT. D. 85 7437/472	2
9	050.017	BEARING 6209-2RS	2
10	50002221	SPACER DRIVE SHAFT ACTION	1
11	50002224	WELD ASSY PINION Z=30	1
12	50002233	SCRAPER RIGHT ZB	1
13	50002234	SCRAPER LEFT ZB	1
14	50002242	COMPL. ASSY DRIVE SHAFT PINIONS 2017	1
15	50002280	SUPPORT ZB	2

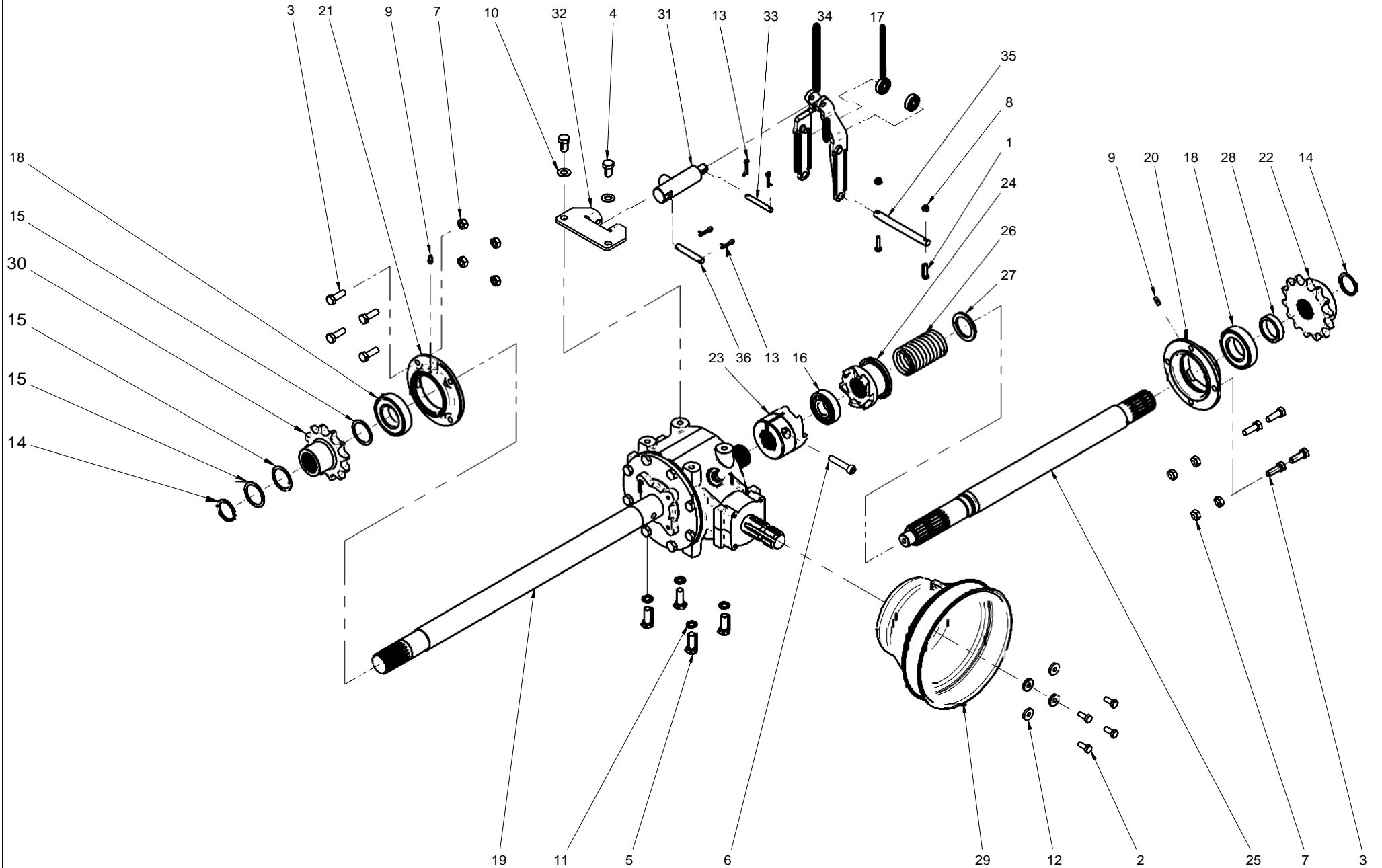
S.N.



S.N.

Pos.	Code	Description	Quantity
1	027.503	GROOVE-AND-TONGUE JOINT 14X9X56 6604/A	2
2	028.263	SEEGER RING EXT. D. 45 7436 (HEAVY)	1
3	028.460	ELASTIC RING UNI 7433-A-45	1
4	050.005	BEARING 6012-2RS	2
5	50002215	DRIVE SHAFT	1
6	50002216	DRIVE SHAFT PINION CL	2
7	50002226	WELD ASSY DRIVE SHAFT 2017	1

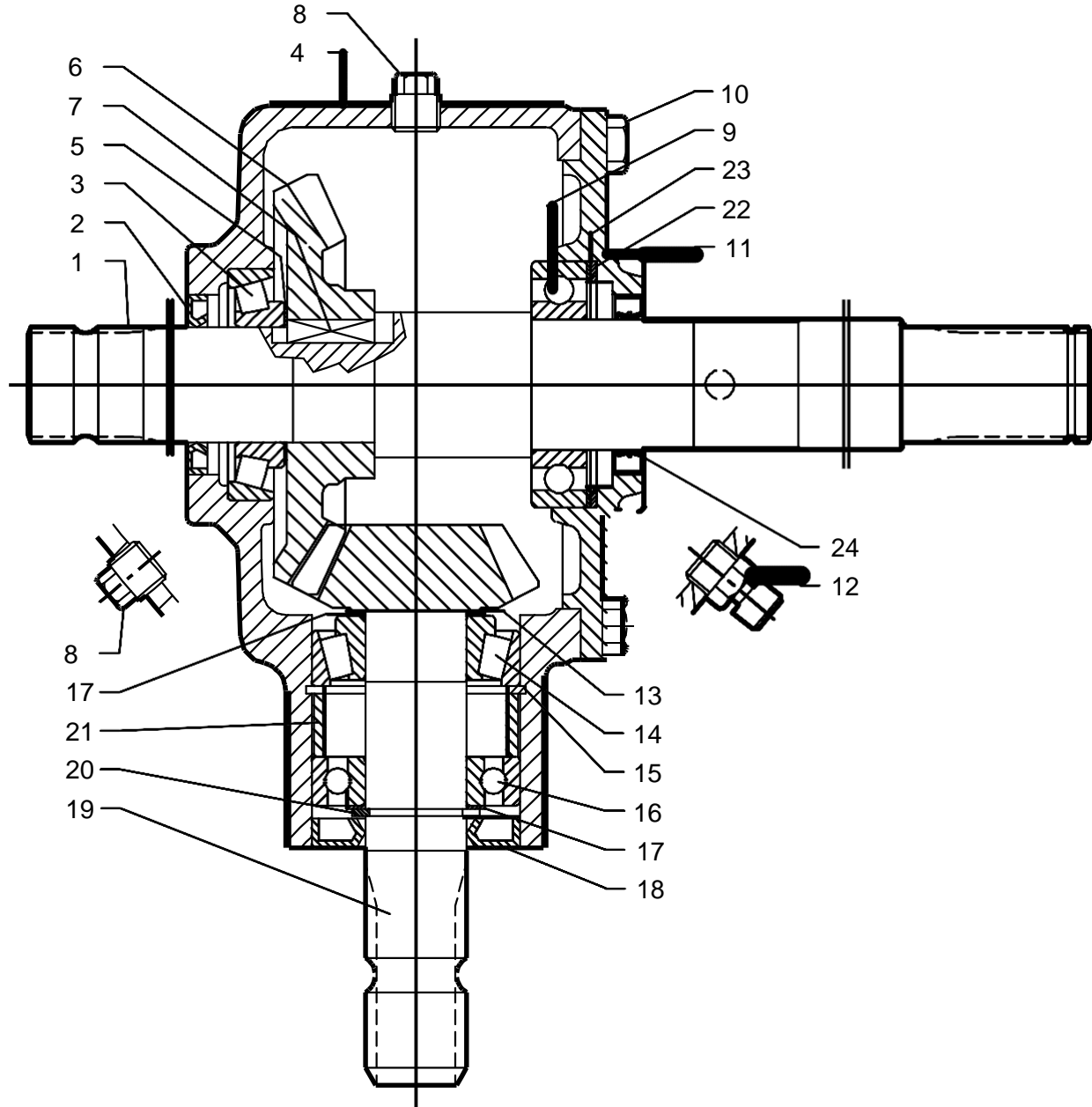
S.N.



S.N.

Pos.	Code	Description	Quantity
1	020.013	SCREW TE M 6X25 8.8 ISO 4017 ZB	2
2	020.051	SCREW TE M 8X20 8.8 5739 ZB	4
3	020.102	SCREW TE M 10X30 8.8 5739 ZB	8
4	020.150	SCREW TE M 12X20 8.8 5739 ZB	2
5	020.152	SCREW TE M 12X30 8.8 5739 ZB	4
6	020.547	SCREW TCEI M 10X50 8.8 5931 ZB	1
7	021.103	SELF-LOCKING NUT M10 UNI 7474 ZB	8
8	021.115	SELF-LOCKING NUT M6 7473 ZB	2
9	022.001	GREASE DEVICE M6X1 UNI 7663A	2
10	023.040	FLAT WASHER M12=13X24X2,5 6592 ZB	2
11	023.508	WASHER NL 12 NORD-LOCK	4
12	023.608	FLAT WASHER 8X23X4 D6340 ZB	4
13	024.233	COVER D. 4X20 ZB 1336	4
14	028.260	SEEGER RING EXT. D. 38 7436 (HEAVY)	2
15	028.328	RING TYPE "PS" 50X40X1 DIN 988	3
16	050.009	BEARING 25X62X17 6305-2RS	1
17	050.032	BEARING 6200-2RS	2
18	050.088	BEARING INA 208 NPPB (40X80X18)	2
19	50002050	COMPL. ASSY REDUCER	1
20	50002052	BEARING SUPPORT LEFT	1
21	50002054	BEARING SUPPORT RIGHT	1
22	50002062	PINION ZB	1
23	50002064	TRANSMISS. CLUTCH RIGHT	1
24	50002066	TRANSMISS. CLUTCH LEFT	1
25	50002068	SHAFT EXTENSION	1
26	50002070	CONNECTION SPRING ZBD	1
27	50002072	RING RABBET	1
28	50002096	SPACER 40X51X12 ZB	1
29	50002110	CUFF P.T.O. SHAFT	1
30	50002506	PINION ASA80 Z=12	1
31	50003010	CONNECTION CYLINDER	1
32	50003012	CYLINDER BRACKET	1
33	50003014	PIN ZB	1
34	50003016	WELD ASSY DISCONNECTION FORK ZB	1
35	50003026	FORK FULCRUM SHAFT ZB	1
36	50003038	PIN ZB	1

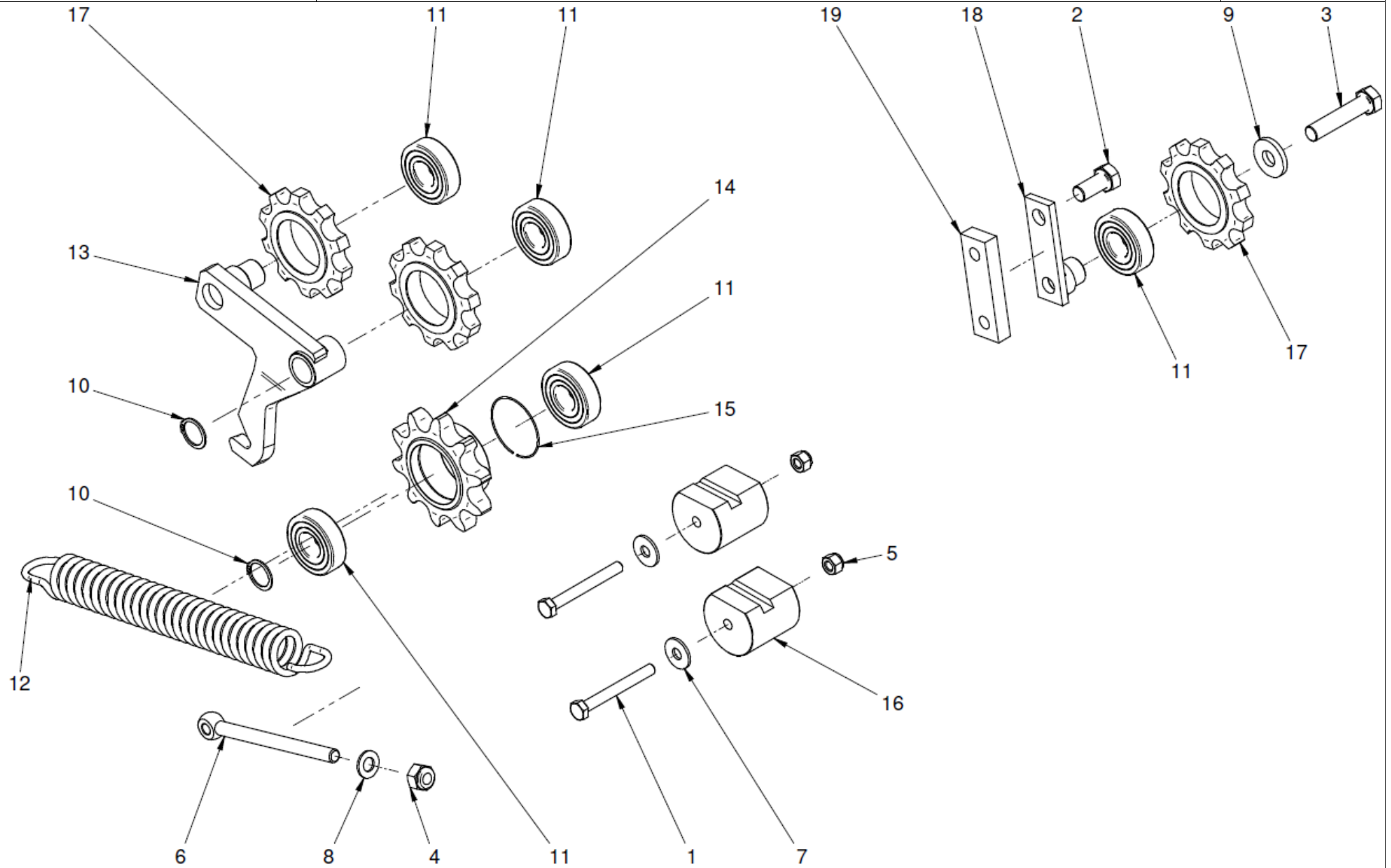
S.N.



S.N.

Pos.	Code	Description	Quantity
1	08500319	SHAFT	1
2	08500303	SEAL DIN 3760 A 40X62X7	1
3	08500308	BEARING 30208 40X80X19,75 354401040	1
4	08500304	BOX 0.304.0301.00	1
5	08500313	ADJ. SHIM 40,3X51,5 0.244.7500.00	1
6	08500301	CONICAL RING Z29 M5	1
7	027.399	GROOVE-AND-TONGUE JOINT 12X8X30 6604/A	1
8	08500307	PLUG 3/8" GAS	2
9	08500309	BEARING 6209 45X85X19 354100045	1
10	020.011	SCREW TE M 6X16 8.8 5739 ZB	8
11	08500305	OPEN COVER 0.304.1507.00	1
12	08500306	PLUG 3/8" GAS	1
13	08500314	ADJ. SHIM 48X35,3 0.259.7513.00	1
14	08500310	BEARING. 32207 35X72X24,25 354407035	1
15	028.022	SEEGER RING INT. D. 72 7437/742	1
16	08500311	SPHERICAL BEARING CLB 6207 8.0.1.00870	1
17	08500315	ADJ. SHIM 35,3X48 0.259.7500.00	2
18	08500320	SEAL DIN 3760 A 35X72X10	1
19	08500300	PINION SHAFT CON. Z15 M5	1
20	028.258	SEEGER RING EXT. D. 35 7436 (HEAVY)	1
21	08500316	SPACER 64,3X71,8X21,9	1
22	08500321	ADJ. SHIM 70,3X84,7X2	1
23	08500322	ADJ. SHIM 70,3X84,7	1
24	08500312	SEAL DIN 3760 A 45X62X10	1

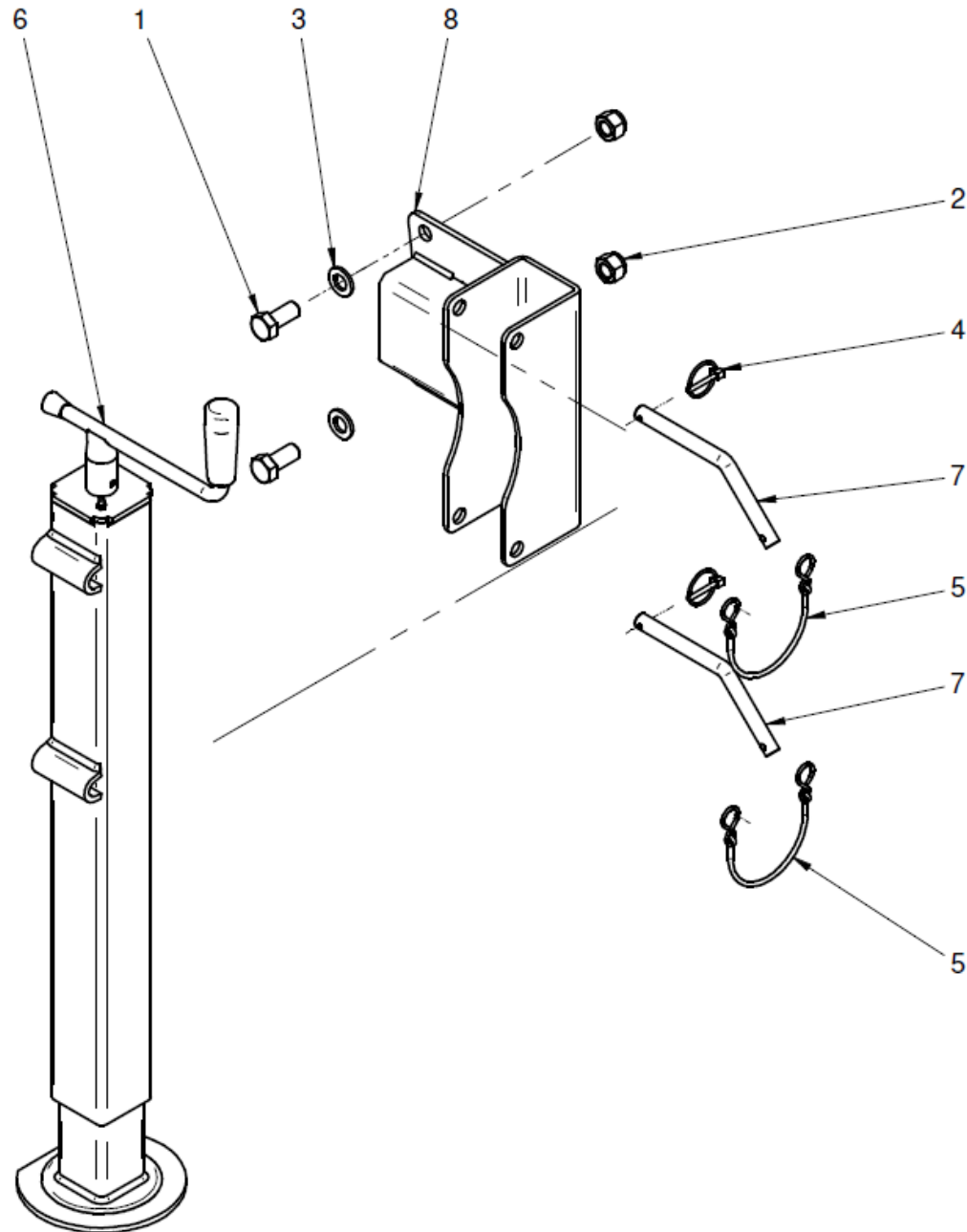
S.N.



S.N.

Pos.	Code	Description	Quantity
1	020.060	SCREW TE M 8X70 8.8 5737 ZB	2
2	020.151	SCREW TE M 12X025 8.8 5739 ZB	1
3	020.157	SCREW TE M 12X55 8.8 5737 ZB	1
4	021.112	SELF-LOCKING NUT M10 7473 ZB	1
5	021.114	SELF-LOCKING NUT M8 7473 ZB	2
6	022.137	EYE TIE-ROD M10 L= 130 6058 ZB	1
7	023.017	FLAT WASHER M8=9X24X2 6593 ZB	2
8	023.030	FLAT WASHER M10=10,5X20X2 6592 ZB	1
9	023.180	WASHER SPEC. M12=12,5X30X4 ZB	1
10	028.105	SEEGER RING EXT. D. 20 7435/471	2
11	050.007	BEARING 20X47X14 6204-2RS	5
12	056.300	DRIVE SPRING 5X34XLI.201 ZBD	1
13	50002080	WELD ASSY TRANSMISSION TIGHTENER RIGHT	1
14	50002094	PINION OF RETURN	1
15	50002095	BEARING STOP THREAD	1
16	50002109	CHAIN SLIDING BLOCK D.50 (NYLON)	2
17	54002243	TIGHTENER PINION ZB	3
18	54002272	WELD ASSY TIGHTENER ZB	1
19	54002278	TIGHTENER PULLING PLATE ZB	1

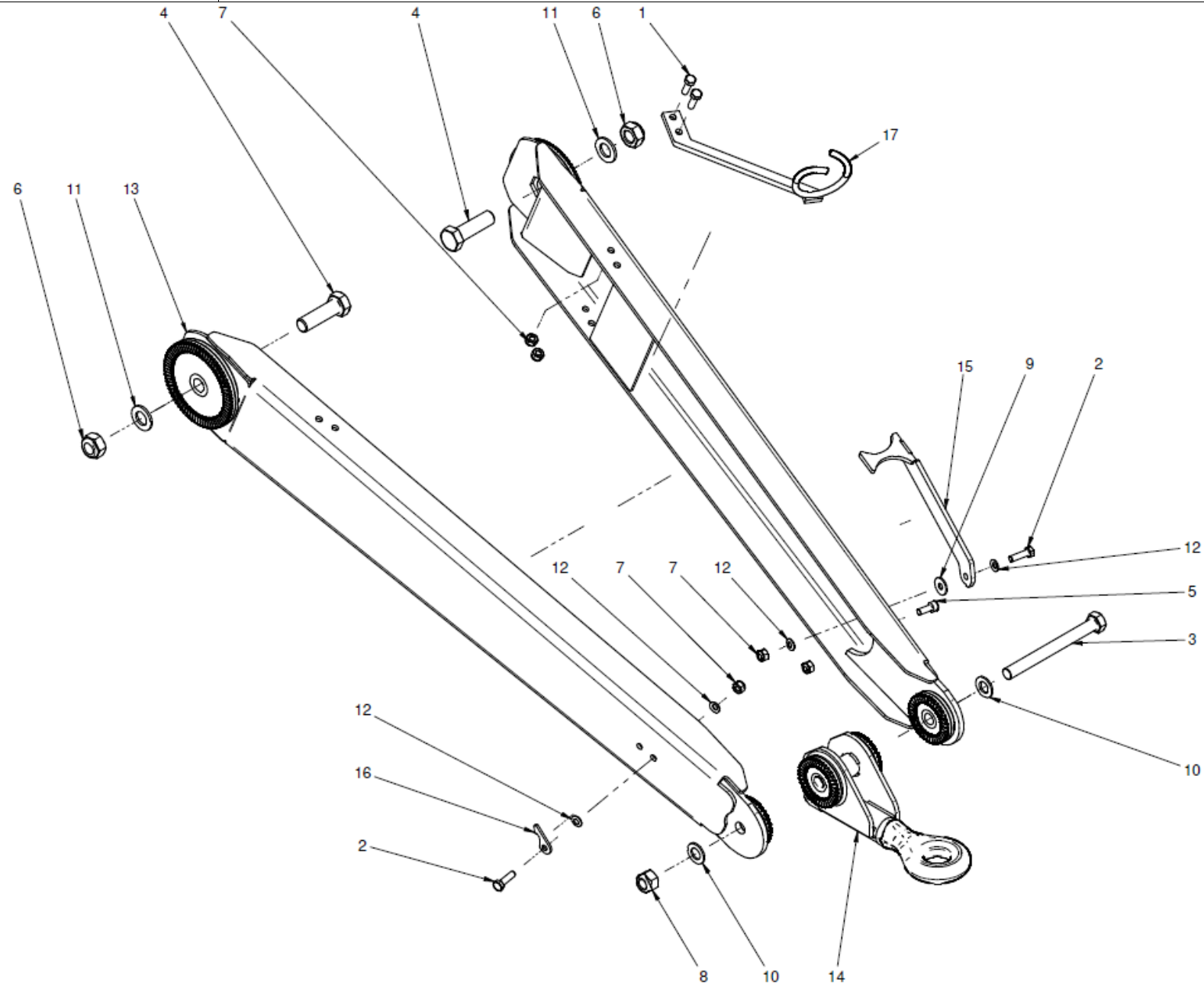
S.N.



S.N.

Pos.	Code	Description	Quantity
1	020.267	SCREW TE M 16X35 8.8 5739 ZB	2
2	021.123	SELF-LOCKING NUT M14 7473 ZB	2
3	023.045	FLAT WASHER M16=17X30X3 6592 ZB	2
4	024.016	PIN LOCK DIN 11023 ø 4.5	2
5	024.080	RUBBER TIE-ROD WITH SMALL HOOKS L=240	2
6	330.381	WELD ASSY PARKING JACK	1
7	345.025	PARKING JACK PIN	2
8	53000053	WELD ASSY PARKING JACK SUPPORT	1

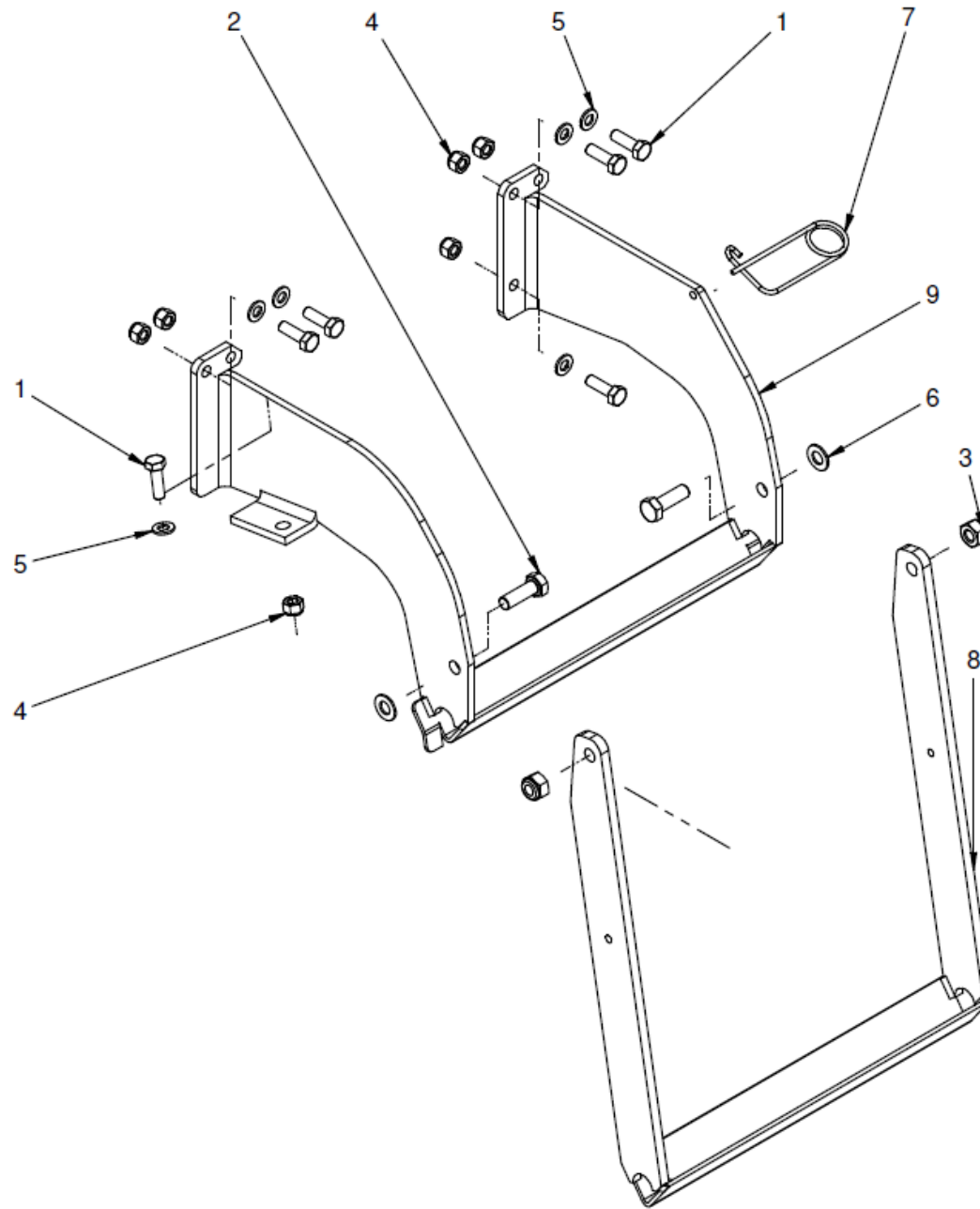
S.N.



S.N.

Pos.	Code	Description	Quantity
1	020.102	SCREW TE M 10X30 8.8 5739 ZB	2
2	020.103	SCREW TE M 10X35 8.8 5739 ZB	2
3	020.387	SCREW TE M 20X200 8.8 5737 ZB	1
4	020.406	SCREW TE M 24X80 8.8 5739 ZB	2
5	020.540	SCREW TCEI M 10X25 8.8 ISO 4762 ZB	1
6	021.110	SELF-LOCKING NUT M 24 7474 ZB	2
7	021.112	SELF-LOCKING NUT M10 7473 ZB	5
8	021.153	SELF-LOCKING NUT M20 7473 ZB	1
9	023.027	FLAT WASHER M10=11X30X2,5 6593 ZB	1
10	023.080	FLAT WASHER M20=21X37X3 6592 ZB	2
11	023.085	FLAT WASHER M24=25X44X4 6592 ZB	2
12	023.770	TAPER WASHER EL.D.10,2X20X2,7 ZBD	4
13	50000020-52	WELD ASSY TOWING BAR 2010	2
14	50000036-52	WELD ASSY TOWING EYE	1
15	51000640	WELD ASSY P.T.O. SUPPORT	1
16	51000837	SHAFT SUPPORT BLOCK ZB	1
17	52000156	WELD ASSY TUBERS SUPPORT ZB	1

S.N.

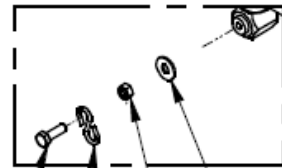


S.N.

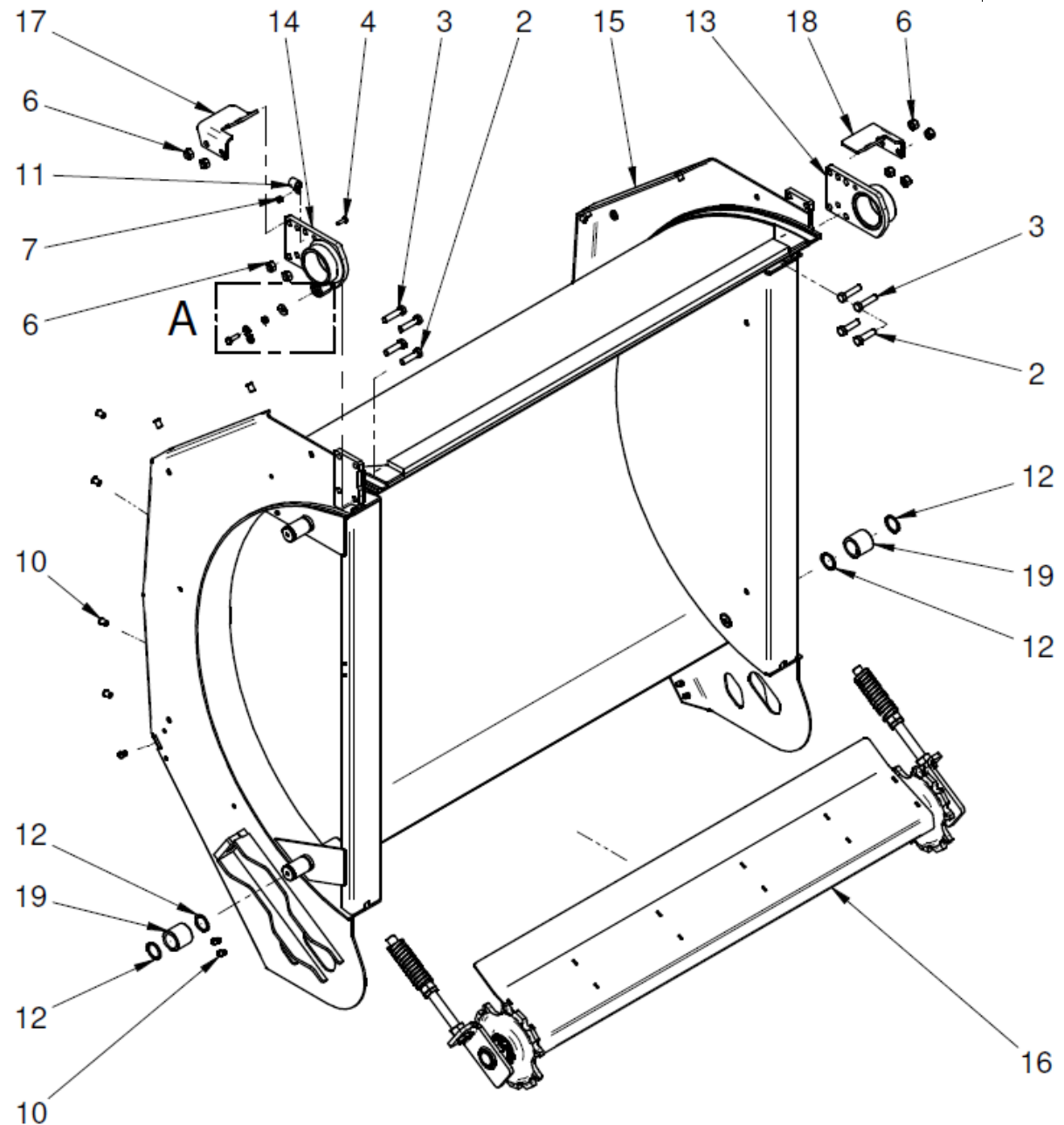
Pos.	Code	Description	Quantity
1	020.052	SCREW TE M 8X25 8.8 5739 ZB	6
2	020.102	SCREW TE M 10X30 8.8 5739 ZB	2
3	021.112	SELF-LOCKING NUT M10 7473 ZB	2
4	021.114	SELF-LOCKING NUT M8 7473 ZB	6
5	023.020	FLAT WASHER M8=8,4X16X1,6 6592 ZB	6
6	023.030	FLAT WASHER M10=10,5X20X2 6592 ZB	2
7	024.071	STOP SPRING D.3 ZB	1
8	53000550	WELD ASSY FIRST STEP	1
9	53000560	WELD ASSY SECOND STEP	1

S.N.

DETAIL A



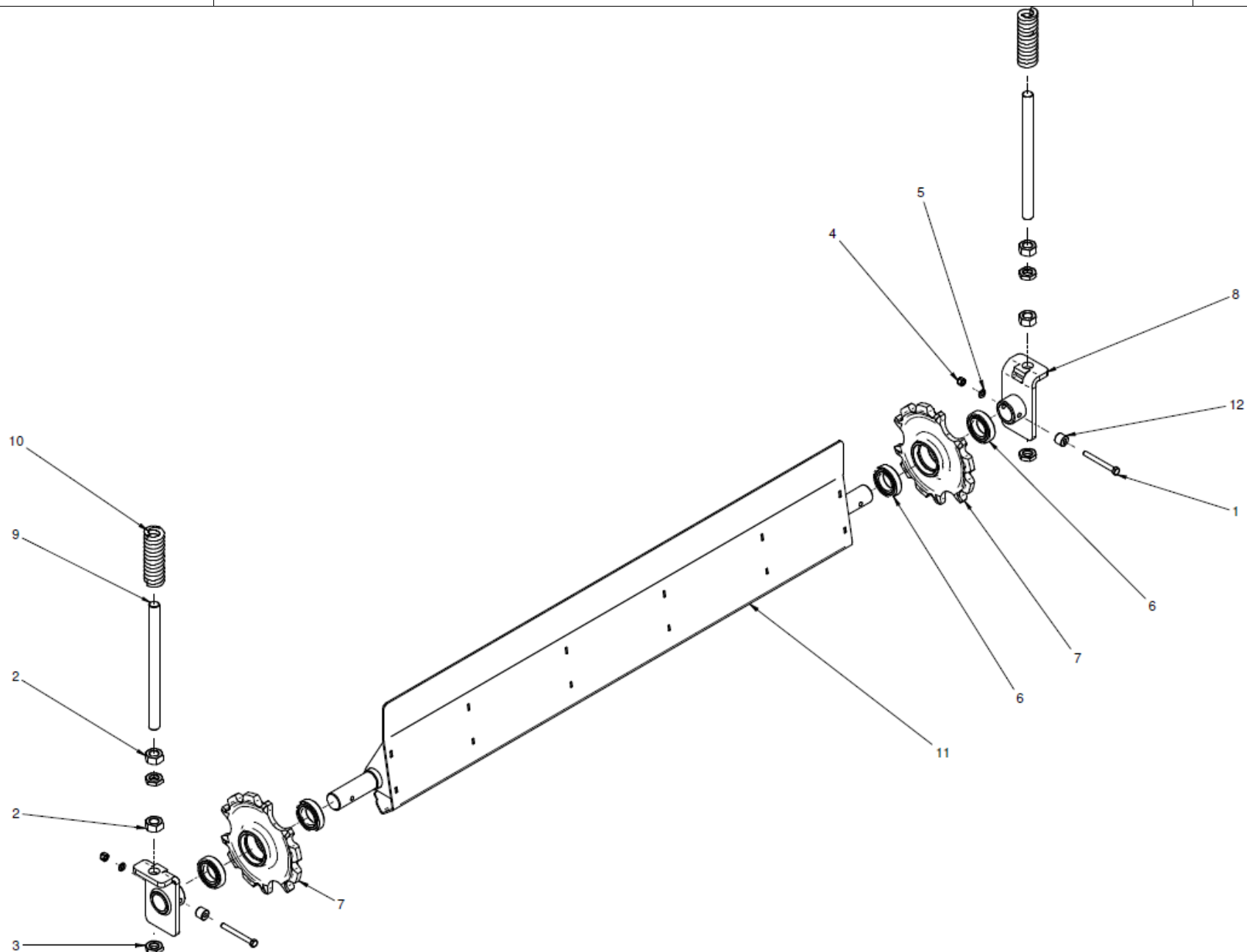
1 8 5 9



S.N.

Pos.	Code	Description	Quantity
1	020.052	SCREW TE M 8X25 8.8 5739 ZB	1
2	020.148	SCREW TE M 12X45 8.8 5737 ZB	4
3	020.155	SCREW TE M 12X50 8.8 ISO 4014 ZB	4
4	020.658	SCREW TSPEI M 6X25 10.9 5933 ZB	1
5	021.003	NUT E 6S M 8 5588 ZB	1
6	021.113	SELF-LOCKING NUT M12 7473 ZB	8
7	021.115	SELF-LOCKING NUT M6 7473 ZB	1
8	022.250	S-FORM CONNECTION D. 3,5 ZB	1
9	023.017	FLAT WASHER M8=9X24X2 6593 ZB	1
10	023.922	RIVET TC UNI 9201-B M8-8	18
11	025.402	COLLAR RUBBER TUBE TIGHTENING D.14 F.6,5	1
12	028.258	SEEGER RING EXT. D. 35 7436 (HEAVY)	4
13	50000200	WELD ASSY LEFT REAR DOOR FASTENER	1
14	50000201	WELD ASSY RIGHT REAR DOOR FASTENER	1
15	50000950	WELD ASSY REAR FRAME ACTION 120	1
16	50002240	COMPL. ASSY FREE SHAFT 2017	1
17	50002312	CHAIN RETURN BRACKET RIGHT	1
18	50002314	CHAIN RETURN BRACKET LEFT	1
19	50003078	REAR DOOR HOOKING BUSH	2

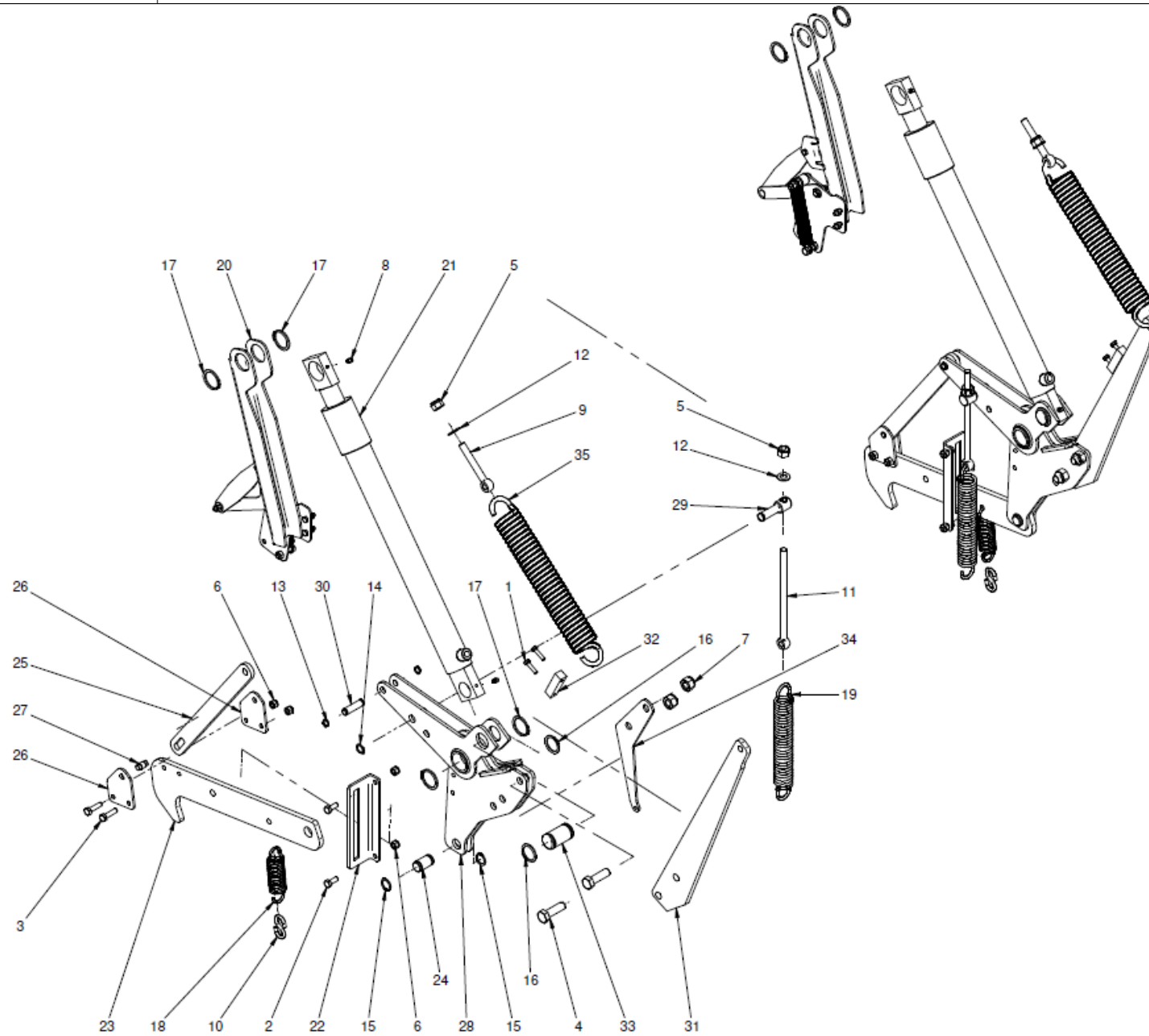
S.N.



S.N.

Pos.	Code	Description	Quantity
1	020.078	SCREW TE M 8X80 8.8 ISO 4014 ZB	2
2	021.009	NUT E 6S M 20 5588 ZB	4
3	021.020	NUT E 6S M 20 5589 ZB	4
4	021.114	SELF-LOCKING NUT M8 7473 ZB	2
5	023.020	FLAT WASHER M8=8,4X16X1,6 6592 ZB	2
6	050.003	BEARING 6007-2RS	4
7	50002264	PINION FREE SHAFT	2
8	50002265	WELD ASSY FREE SHAFT GUIDE	2
9	50002274	THREADED BAR M20 ZB	2
10	50002275	COMPRESSION SPRING 8X38X135	2
11	50002282	WELD ASSY FREE SHAFT 2017	1
12	51002580	PIN D.8-20 L=16	2

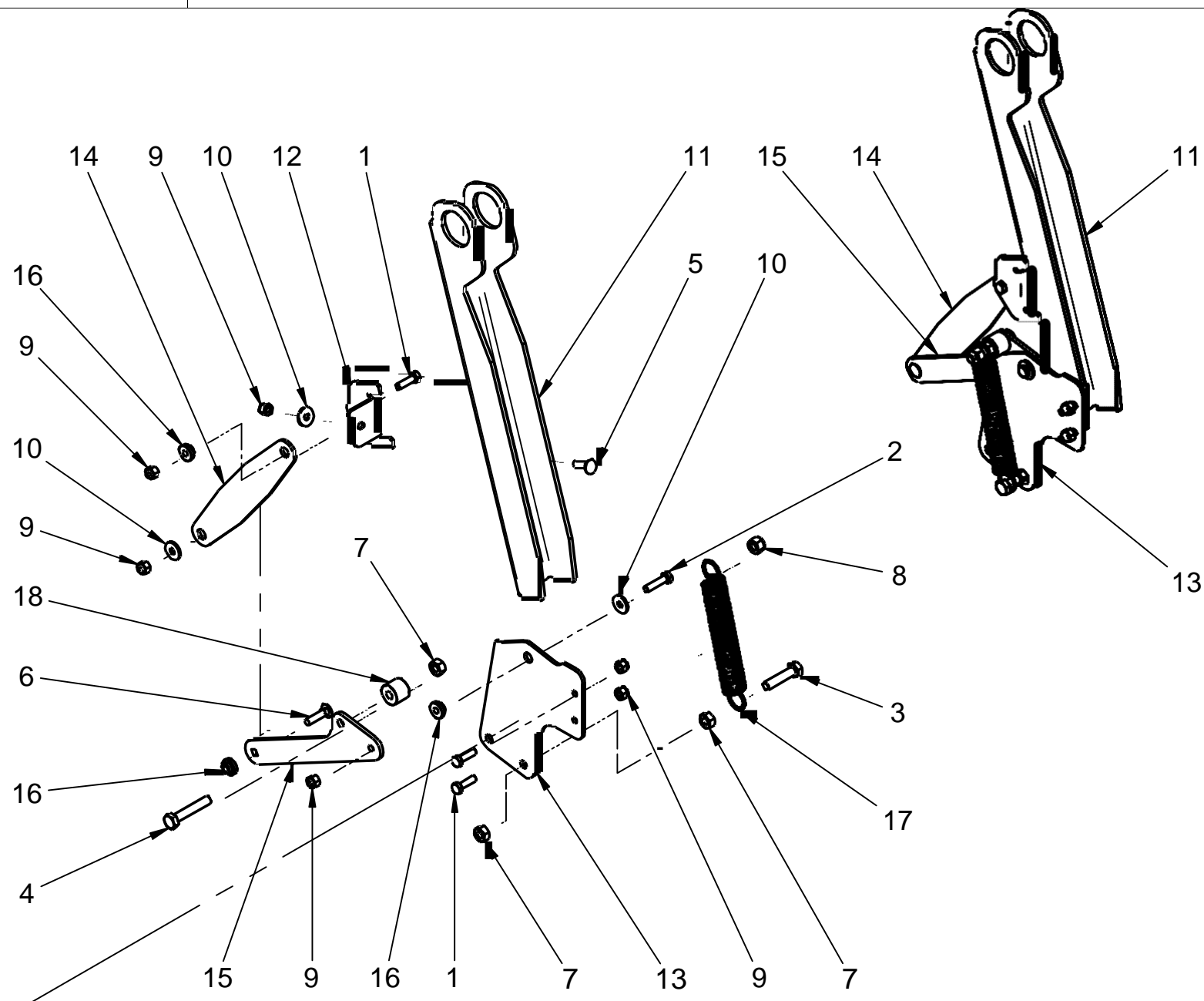
S.N.



S.N.

Pos.	Code	Description	Quantity
1	020.013	SCREW TE M 6X25 8.8 ISO 4017 ZB	4
2	020.051	SCREW TE M 8X20 8.8 5739 ZB	4
3	020.066	SCREW TE M 8X30 8.8 ISO 4014 ZB	4
4	020.199	SCREW TE M 14X45 8.8 ISO 4014 ZB	4
5	021.113	SELF-LOCKING NUT M12 7473 ZB	4
6	021.114	SELF-LOCKING NUT M8 7473 ZB	8
7	021.120	SELF-LOCKING NUT M14 7473 ZB	4
8	022.001	GREASE DEVICE M6X1 UNI 7663A	4
9	022.140	EYE TIE-ROD M12 L=90 6058 ZB	2
10	022.251	S-FORM CONNECTION 6	2
11	022.320	EYE OF TIE-ROD M 12X210 DX ZN	2
12	023.040	FLAT WASHER M12=13X24X2,5 6592 ZB	4
13	028.235	SEEGER RING EXT. D. 12 7436 (HEAVY)	4
14	028.238	SEEGER RING EXT. D. 15 7436 (HEAVY)	2
15	028.240	SEEGER RING EXT. D.20 7436 (HEAVY)	4
16	028.255	SEEGER RING EXT. D. 30 7436 (HEAVY)	4
17	028.258	SEEGER RING EXT. D. 35 7436 (HEAVY)	8
18	056.252	DRIVE SPRING (4X30X106) ZBD	2
19	056.300	DRIVE SPRING 5X34XLI.201 ZBD	2
20	50000601	COMPL. ASSY REAR DOOR SAFETY LOCKS 120	1
21	50003030	CYLINDER L=628	2
22	50003076	HOOK GUIDE ZB	2
23	50003080	HOOK	2
24	50003082	HOOK PIN ZB	2
25	50003084	HOOK PULL ROD 2016 ZB	2
26	50003085	HOOK PULL PLATE ZB	4
27	50003086	HOOK PULL PIN ZB	2
28	50003104	WELD ASSY LEVERS 2008	2
29	50003114	PIN FOR SPRING	2
30	50003122	FORK PIN	2
31	50003128	PRESSURE LEVER 120	2
32	50003142	BLADE BEATING SQUARE TUBE (PET)	2
33	50003156	PIN	2
34	50003216	INDICATOR CABLE CONNECTION STUFF 120-125	1
35	53003108	DRIVE SPRING (8X50X330) ZBD	2

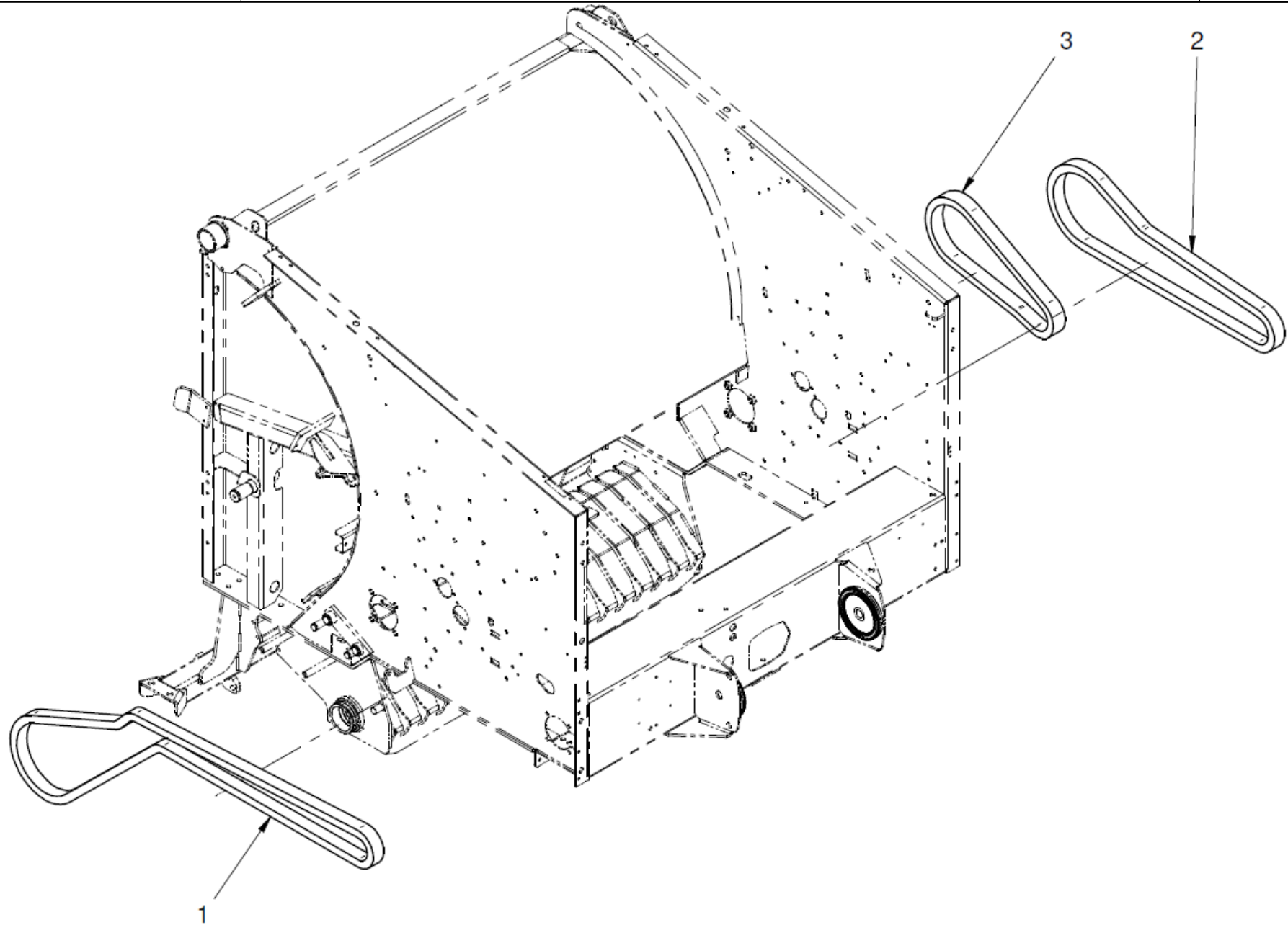
S.N.



S.N.

Pos.	Code	Description	Quantity
1	020.012	SCREW TE M 6X20 8.8 ISO 4017 ZB	6
2	020.013	SCREW TE M 6X25 8.8 ISO 4017 ZB	2
3	020.035	SCREW TE N8X35 8.8 5737ZB	2
4	020.070	SCREW TE M 8X45 8.8 5739 ZB	2
5	020.082	SCREW TTQST M 6X20 4.6 5731 ZB	2
6	020.083	SCREW TTQST M 6X25 4.6 5731 ZB	2
7	021.003	NUT E 6S M 8 5588 ZB	6
8	021.114	SELF-LOCKING NUT M8 7473 ZB	2
9	021.115	SELF-LOCKING NUT M6 7473 ZB	12
10	023.005	FLAT WASHER M6=6,6X18X2 6593 ZB	6
11	50003043	DOOR SAFETY CATCH 120-125	2
12	50003050	REAR DOOR CONTROL LOCK SQUARE ZB	2
13	50003051	REAR DOOR CONTROL LOCK SUPPORT ZB	2
14	50003052	REAR DOOR CONTROL LOCK ROD ZB	2
15	50003053	REAR DOOR CONTROL LOCK LEVER ZB	2
16	50005458	PIN D.10-16 S=3	6
17	50005695	NET BRAKE SPRING ZB	2
18	51002580	PIN D.8-20 L=16	2

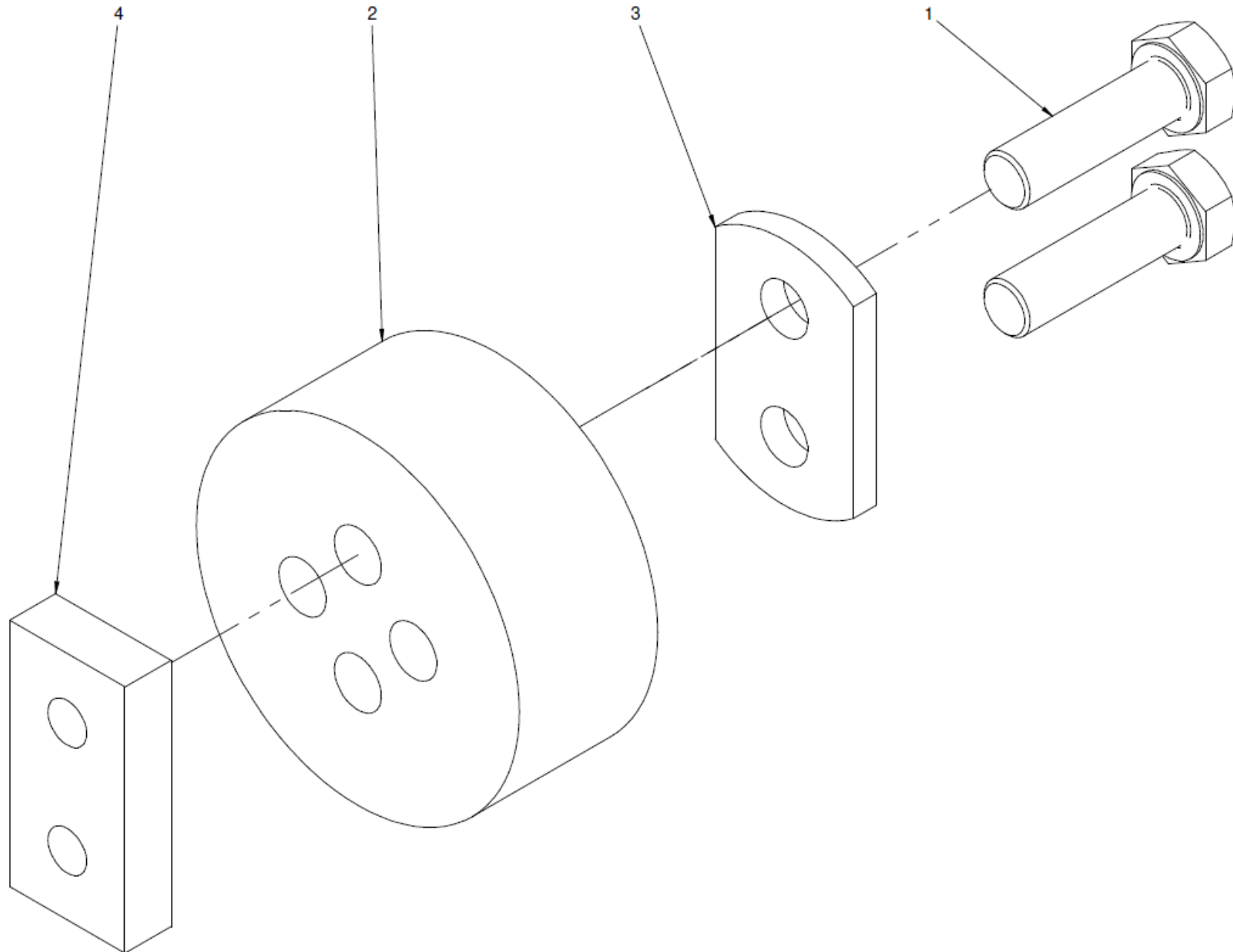
S.N.



S.N.

Pos.	Code	Description	Quantity
1	50002099	CHAIN ASA 80 123 LINKS + JOINT	1
2	50002101	CHAIN ASA 80 75 LINKS + JOINT	1
3	50002539	ROLLERS CHAIN ISO 168-1 45 P.+JOINT	1

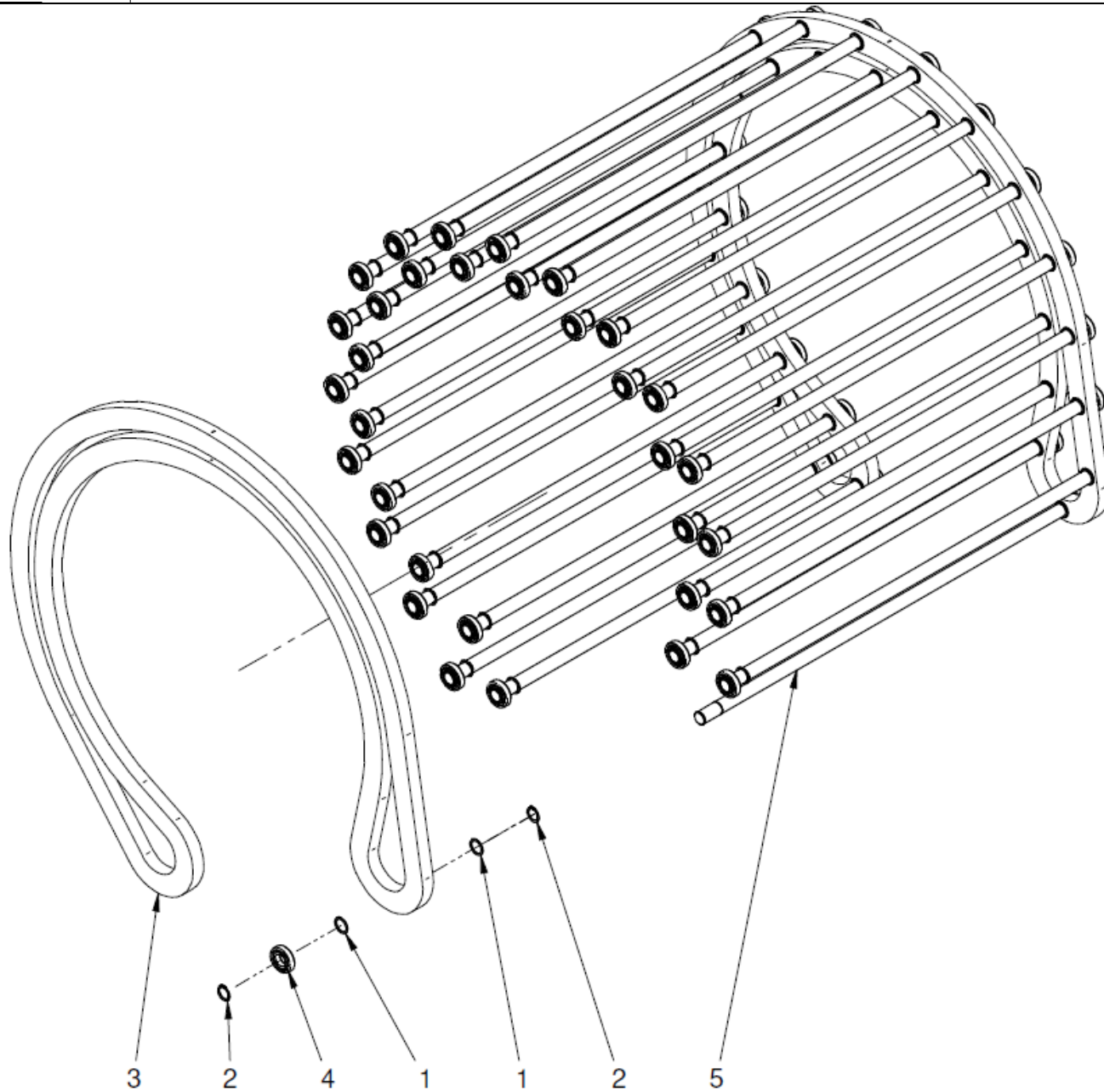
S.N.



S.N.

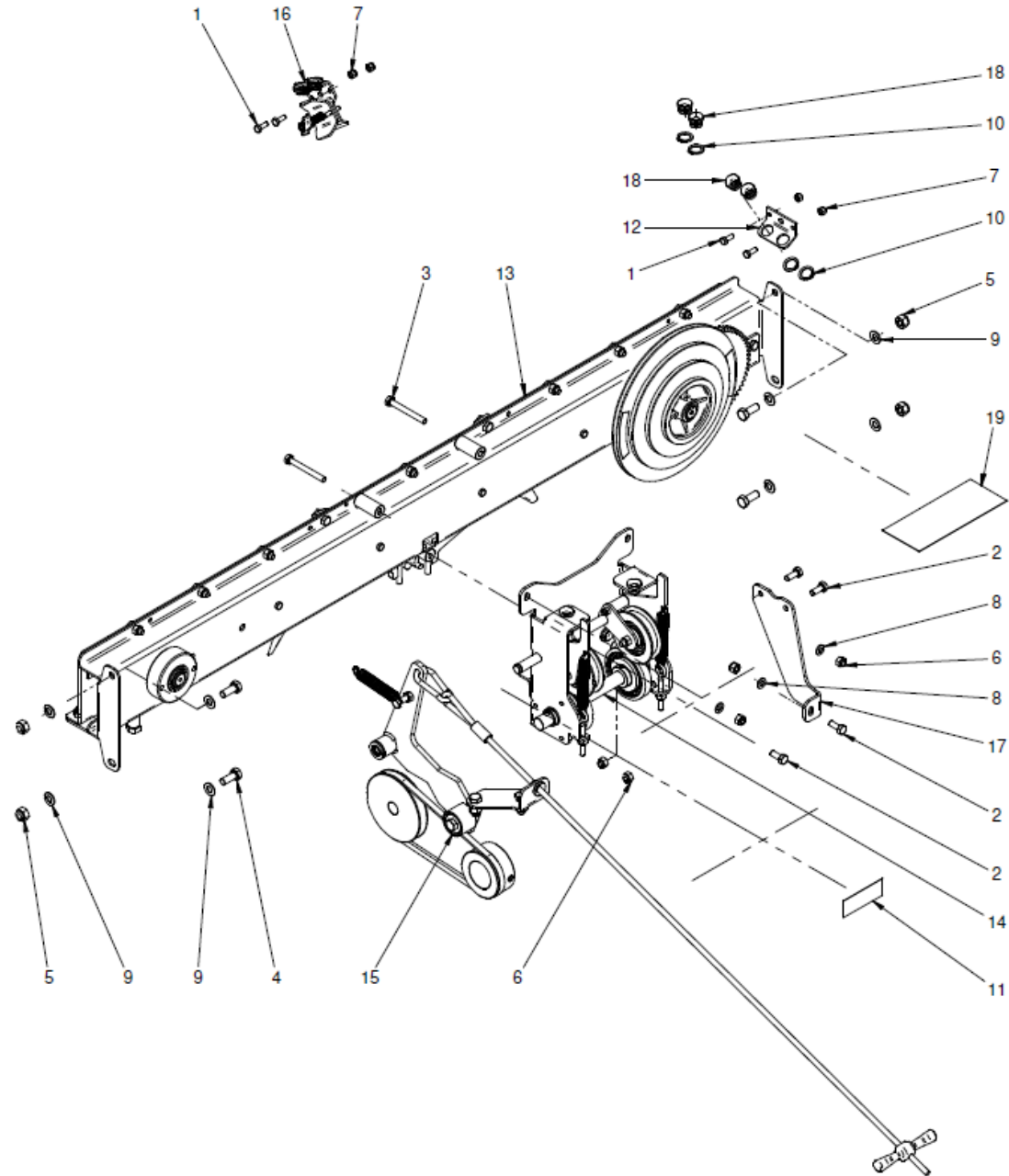
Pos.	Code	Description	Quantity
1	020.129	SCREW TE M 1OX35 8.8 5737 ZB	2
2	50001410	CYLINDRIC SLIDING BLOCK (NYLON 66)	1
3	50001412	SLIDING BLOCK UPPER PLATE	1
4	50001414	SLIDING BLOCK LOWER PLATE	1

S.N.



Pos.	Code	Description	Quantity
1	023.110	FLAT WASHER 36X45X2 ZN	136
2	028.112	SEEGER RING EXT. D.35 7435/471	136
3	034.256	CHAIN P50,8X19,05 ROLLER 136 LINK+JOINT	2
4	050.050	BEARING RC 07 2RS (LR 207 RHB)	68
5	50002309	WHEELBASE BAR 1270	34

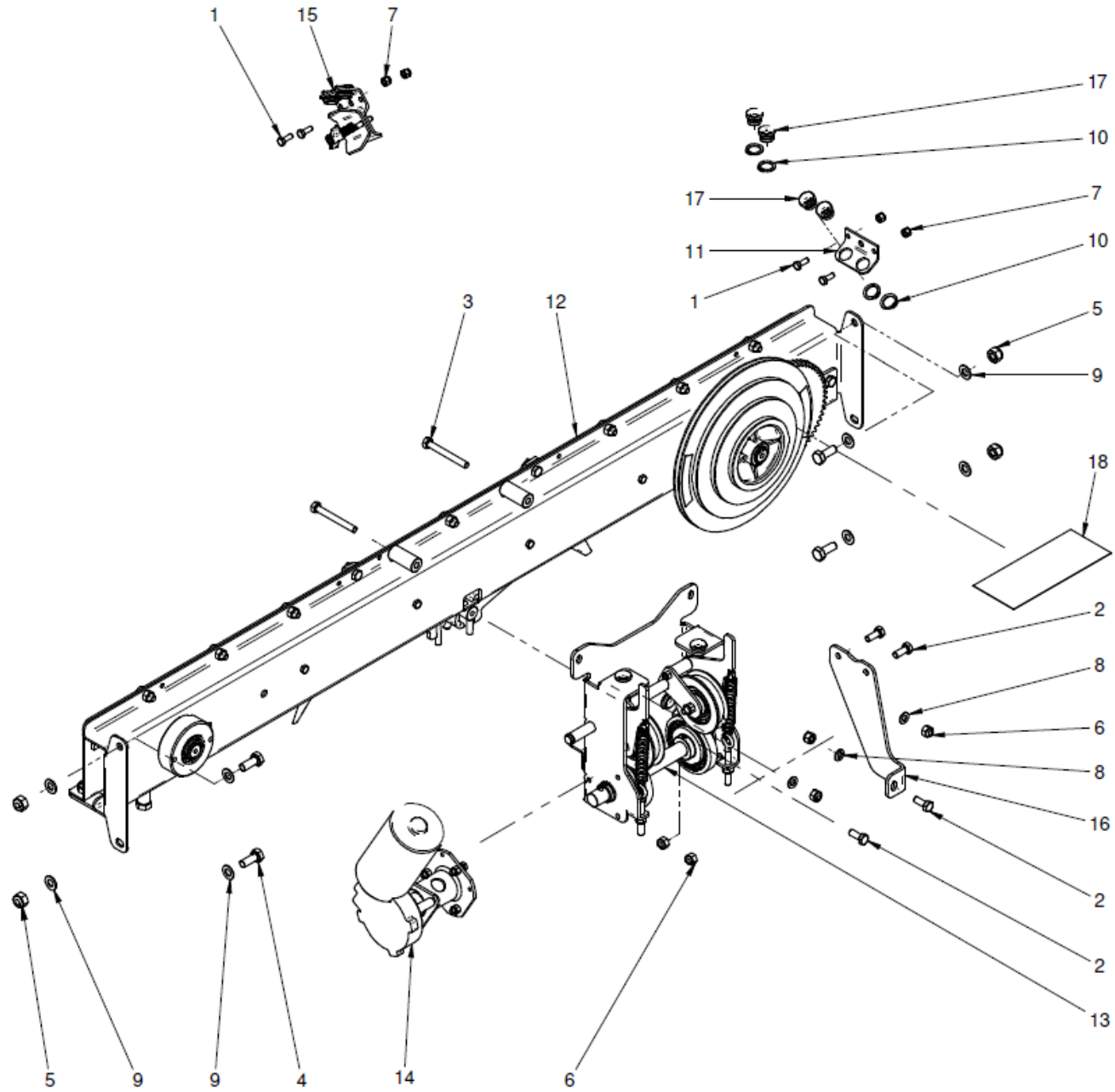
S.N.



S.N.

Pos.	Code	Description	Quantity
1	020.011	SCREW TE M 6X16 8.8 5739 ZB	4
2	020.051	SCREW TE M 8X20 8.8 5739 ZB	4
3	020.060	SCREW TE M 8X70 8.8 5737 ZB	2
4	020.101	SCREW TE M 10X25 8.8 5739 ZB	4
5	021.112	SELF-LOCKING NUT M10 7473 ZB	4
6	021.114	SELF-LOCKING NUT M8 7473 ZB	5
7	021.115	SELF-LOCKING NUT M6 7473 ZB	4
8	023.020	FLAT WASHER M8=8,4X16X1,6 6592 ZB	3
9	023.030	FLAT WASHER M10=10,5X20X2 6592 ZB	8
10	028.237	SEEGER RING EXT. D. 18 7436 (HEAVY)	4
11	044.054	STICKER "TWINE ROPE TO PULL" CRP	1
12	50005170	TWINE DIVERTER ZB	1
13	50005410	COMPL. ASSY TWINE BINDER CROSSBAR	1
14	50005411	COMPL. ASSY TWINE BINDER FRAME	1
15	50005412	COMPL. ASSY TWINE BINDER MANUAL CONTROL	1
16	50005417	COMPL. ASSY TWINE BRAKE ACTION	1
17	50005424	ANCHOR BRACKET ACTION	1
18	54005180	TWINE GUIDING BUSHING	4
19	89006016	STICKER TWINE PASSAGE SCHEME (ACTION)	1
20*	89006031	STICKER "CE" KIT BINDING SYSTEM	1

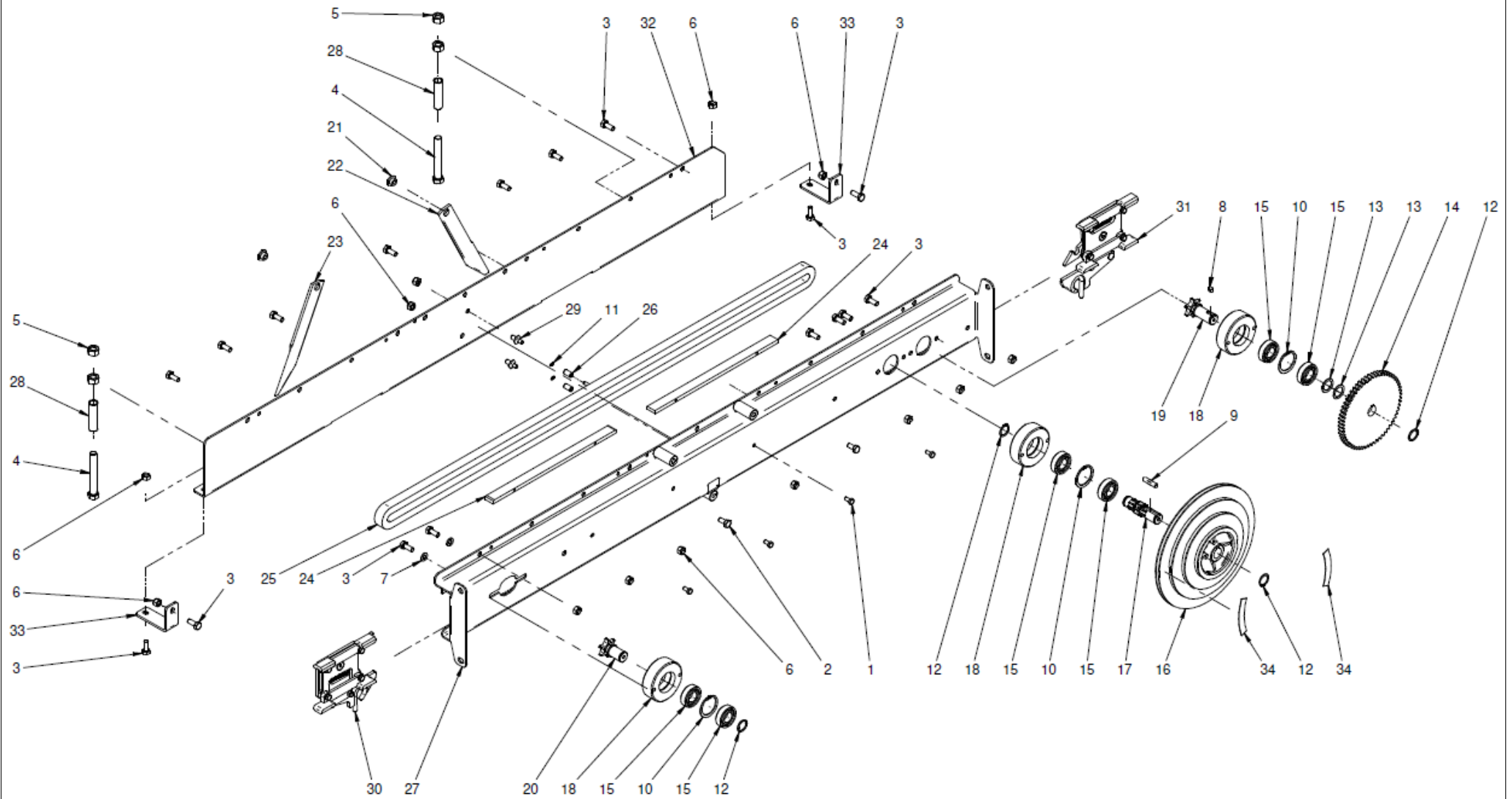
S.N.



S.N.

Pos.	Code	Description	Quantity
1	020.011	SCREW TE M 6X16 8.8 5739 ZB	4
2	020.051	SCREW TE M 8X20 8.8 5739 ZB	4
3	020.060	SCREW TE M 8X70 8.8 5737 ZB	2
4	020.101	SCREW TE M 10X25 8.8 5739 ZB	4
5	021.112	SELF-LOCKING NUT M10 7473 ZB	4
6	021.114	SELF-LOCKING NUT M8 7473 ZB	5
7	021.115	SELF-LOCKING NUT M6 7473 ZB	4
8	023.020	FLAT WASHER M8=8,4X16X1,6 6592 ZB	3
9	023.030	FLAT WASHER M10=10,5X20X2 6592 ZB	8
10	028.237	SEEGER RING EXT. D. 18 7436 (HEAVY)	4
11	50005170	TWINE DIVERTER ZB	1
12	50005410	COMPL. ASSY TWINE BINDER CROSSBAR	1
13	50005411	COMPL. ASSY TWINE BINDER FRAME	1
14	50005413	COMPL. ASSY TWINE BINDER ENGINE	1
15	50005417	COMPL. ASSY TWINE BRAKE ACTION	1
16	50005424	ANCHOR BRACKET ACTION	1
17	54005180	TWINE GUIDING BUSHING	4
18	89006016	STICKER TWINE PASSAGE SCHEME (ACTION)	1
19*	89006031	STICKER "CE" KIT BINDING SYSTEM	1

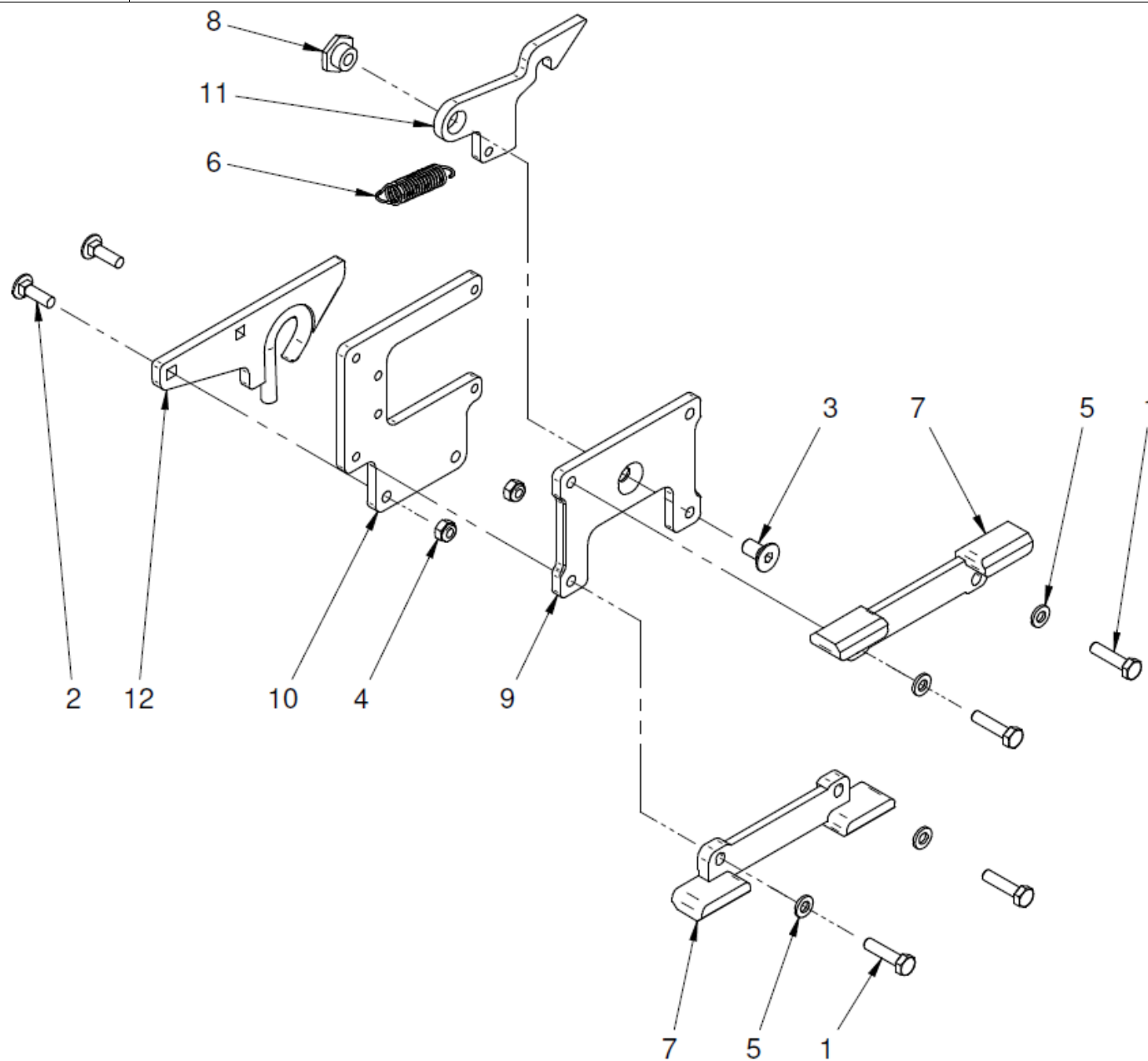
S.N.



S.N.

Pos.	Code	Description	Quantity
1	020.009	SCREW TE M 6X12 8.8 5739 ZB	4
2	020.050	SCREW TE M 8X16 8.8 5739 ZB	2
3	020.051	SCREW TE M 8X20 8.8 5739 ZB	17
4	020.185	SCREW TE M 12X90 70.9 5737 ZB	2
5	021.005	NUT E 6S M 12 5588 ZB	4
6	021.114	SELF-LOCKING NUT M8 7473 ZB	13
7	023.020	FLAT WASHER M8=8,4X16X1,6 6592 ZB	2
8	027.099	GROOVE-AND-TONGUE JOINT 6X6X10 6604/A	1
9	027.104	GROOVE-AND-TONGUE JOINT 6X6X35 6604/A	1
10	028.001	SEEGER RING INT. D. 42 7437/472	3
11	028.094	SEEGER RING EXT. D. 5 7435/471	2
12	028.105	SEEGER RING EXT. D. 20 7435/471	4
13	028.302	RING TYPE "PS" 20X28X1 DIN988	2
14	033.211	RING M=2.5 Z=60 ZB	1
15	050.001	BEARING 6004-2RS	6
16	50005020	PULLEY	1
17	50005022	TOOTHED SHAFT	1
18	50005024	SUPPORT	3
19	50005026	MOTOR PINION ZB	1
20	50005028	CONduc. PINION ZB	1
21	50005054	SPACER ZB	2
22	50005058	LEFT BLADE INOX	1
23	50005060	RIGHT BLADE INOX	1
24	50005062	GUIDE PLATE ZB	2
25	50005064	CHAIN 5/8"X3/8" 142 LINKS CLOSED	1
26	50005066	PAWL	2
27	50005068	WELD ASSY BINDING SUPPORT	1
28	50005077	TWINE END RUN TUBE	2
29	50005080	END RUN HEXAGON ZB	2
30	50005414	COMPL. ASSY TROLLEY 2007 RIGHT	1
31	50005415	COMPL. ASSY TROLLEY 2007 LEFT	1
32	50005430	BINDING CLOSING COVER 2007	1
33	50005431	COVER CONNECTION	2
34	89006018	STICKER TWINES PULLEY	2

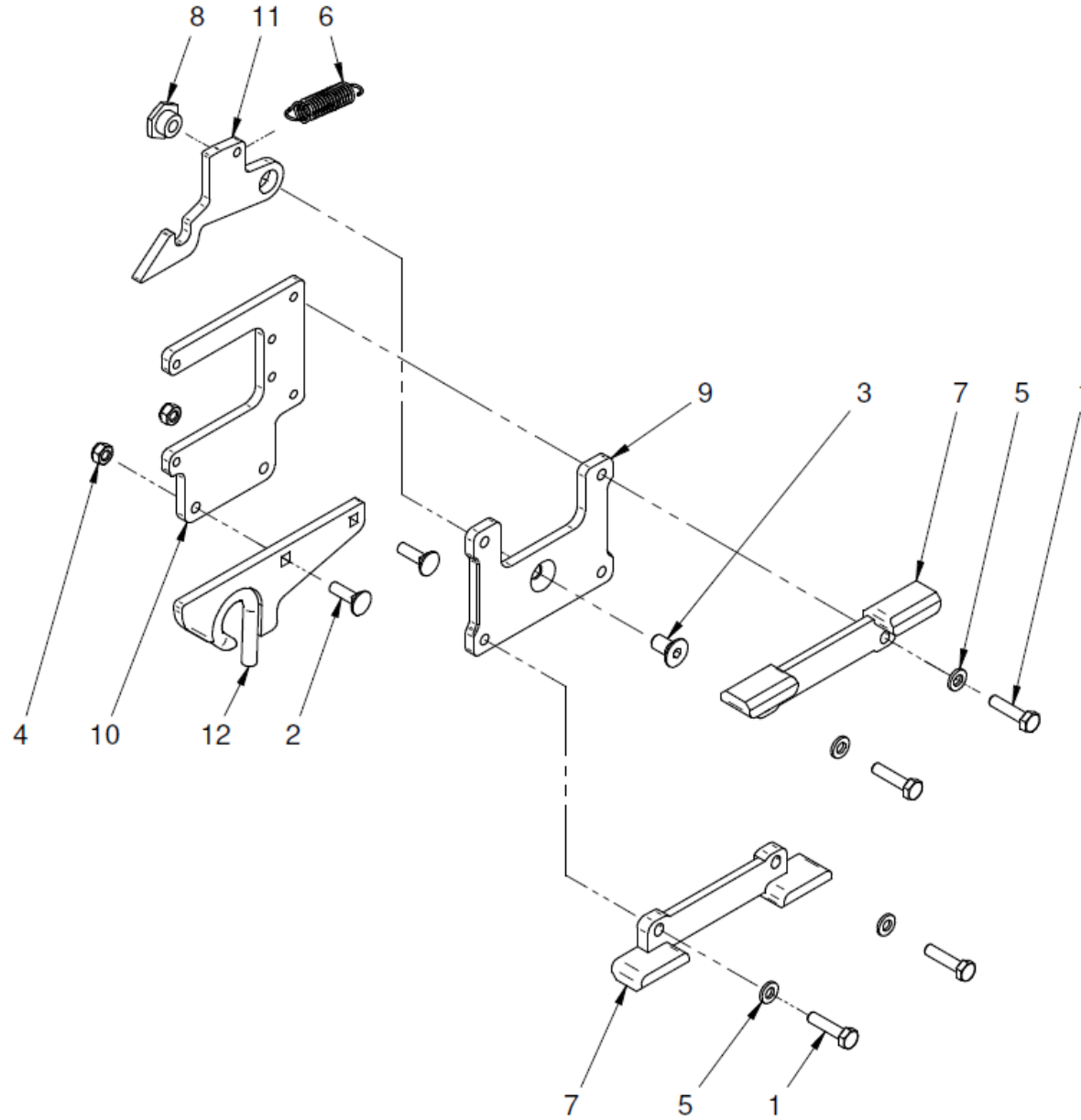
S.N.



S.N.

Pos.	Code	Description	Quantity
1	020.013	SCREW TE M 6X25 8.8 ISO 4017 ZB	4
2	020.082	SCREW TTQST M 6X20 4.6 5731 ZB	2
3	020.678	SCREW TSPEI M 8X16 10.9 5933 ZB	1
4	021.101	SELF-LOCKING NUT M 6 7474 ZB	2
5	023.010	FLAT WASHER M6=6,3X12X1,6 6592 ZB	4
6	50005040	DRIVE SPRING 1,2X11,8X36,6 ZBD	1
7	50005048	SLIDING BLOCK (NYLON 66)	2
8	50005054	SPACER ZB	1
9	50005440	GUIDE 2007	1
10	50005441	EYES HOOKING	1
11	50005442	HOOK	1
12	50005444	WELD ASSY TWINE GUIDE WYE ZB	1

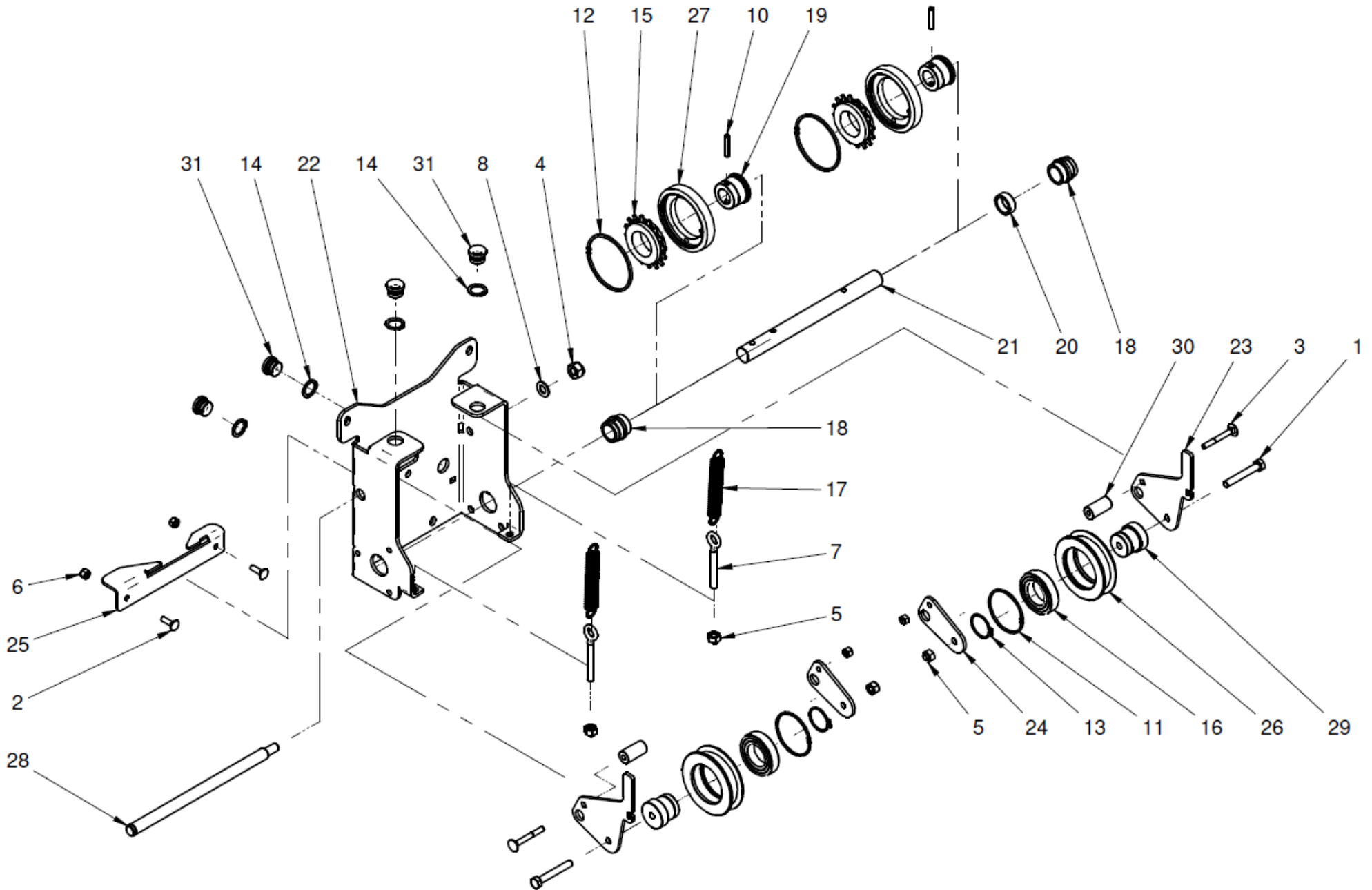
S.N.



S.N.

Pos.	Code	Description	Quantity
1	020.013	SCREW TE M 6X25 8.8 ISO 4017 ZB	4
2	020.082	SCREW TTQST M 6X20 4.6 5731 ZB	2
3	020.678	SCREW TSPEI M 8X16 10.9 5933 ZB	1
4	021.101	SELF-LOCKING NUT M 6 7474 ZB	2
5	023.010	FLAT WASHER M6=6,3X12X1,6 6592 ZB	4
6	50005040	DRIVE SPRING 1,2X11,8X36,6 ZBD	1
7	50005048	SLIDING BLOCK (NYLON 66)	2
8	50005054	SPACER ZB	1
9	50005440	GUIDE 2007	1
10	50005441	EYES HOOKING	1
11	50005442	HOOK	1
12	50005444	WELD ASSY TWINE GUIDE WYE ZB	1

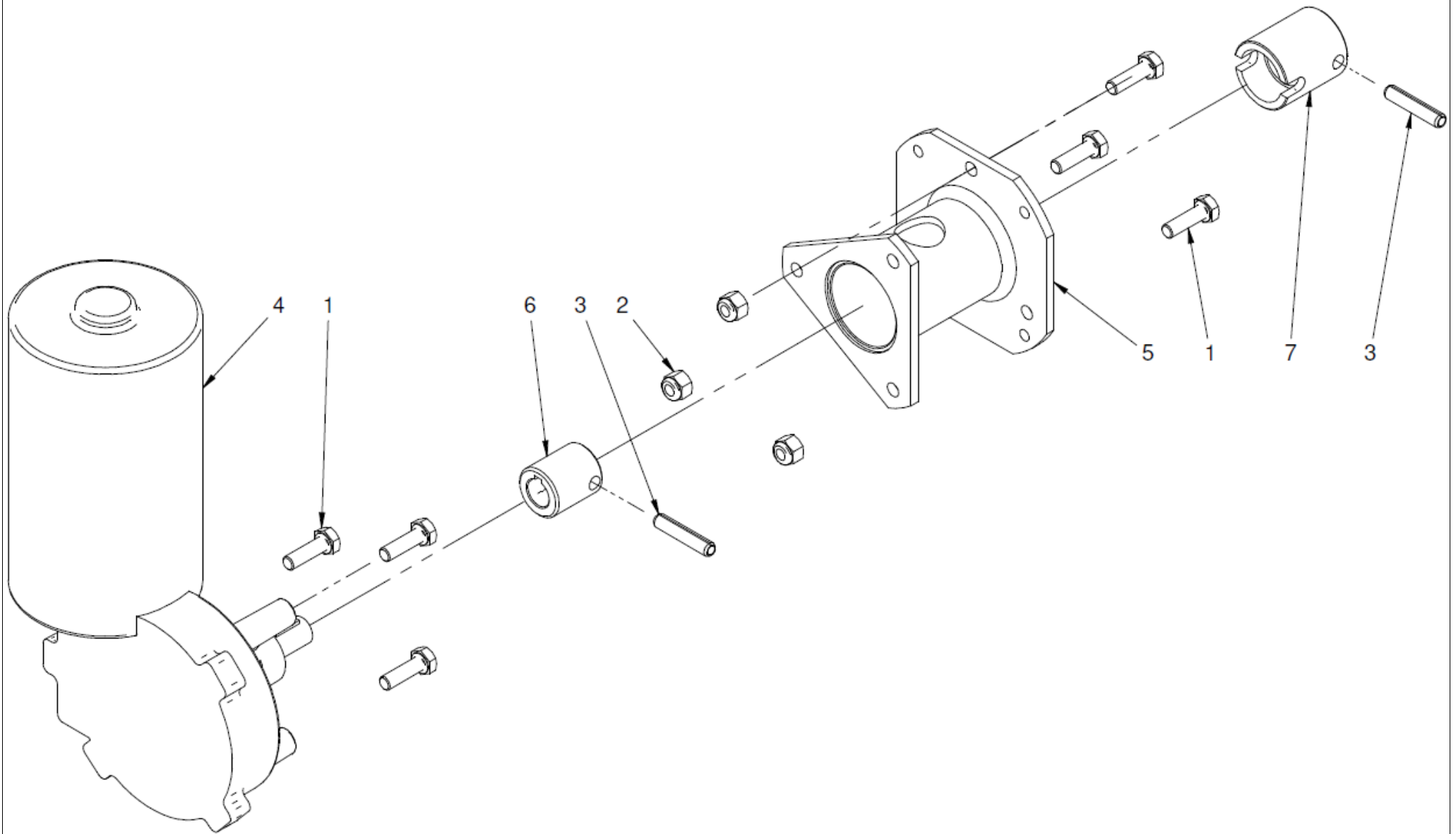
S.N.



S.N.

Pos.	Code	Description	Quantity
1	020.026	SCREW TE M 8X55 8.8 5737 ZB	2
2	020.082	SCREW TTQST M 6X20 4.6 5731 ZB	2
3	020.736	SCREW TTQST M 6X50 4.6 5731 ZB	2
4	021.112	SELF-LOCKING NUT M10 7473 ZB	1
5	021.114	SELF-LOCKING NUT M8 7473 ZB	4
6	021.115	SELF-LOCKING NUT M6 7473 ZB	4
7	022.310	EYE OF TIE-ROD M8X60 RIGHT	2
8	023.030	FLAT WASHER M10=10,5X20X2 6592 ZB	1
9	024.342	ELASTIC PIN D. 6X16 6873 NE	2
10	024.344	ELASTIC PIN D.6X30 6873	2
11	028.010	SEEGER RING INT. D. 55 7437/472	2
12	028.022	SEEGER RING INT. D. 72 7437/742	2
13	028.110	SEEGER RING EXT. D. 30 7435/471	2
14	028.237	SEEGER RING EXT. D. 18 7436 (HEAVY)	4
15	033.300	FREE WHEEL JFI Z16-1/2"X1/8"	2
16	050.002	BEARING 6006-2RS	2
17	056.100	DRIVE SPRING (2X15X75) ZB	2
18	50005092	BUSHING	2
19	50005096	FREE WHEEL PIN ZB	2
20	50005100	SPACER	1
21	50005110	MOTOR SHAFT ZB	1
22	50005420	BINDING SYSTEM FRAME	1
23	50005421	TWINE PRESS LEVER WITH SPRING	2
24	50005422	TWINE PRESS LEVER	2
25	50005423	ANTI-EXIT PROFILE ZB	1
26	50005425	TWINE DRIVING SMALL WHEEL 2007	2
27	50005426	TWINE MOTOR SMALL WHEEL ZB	2
28	50005427	BINDING FRAME PIN	1
29	50005428	TWINE PRESS PIN	2
30	50005429	TWINE PRESS LEVER SPACER	2
31	54005180	TWINE GUIDING BUSHING	4

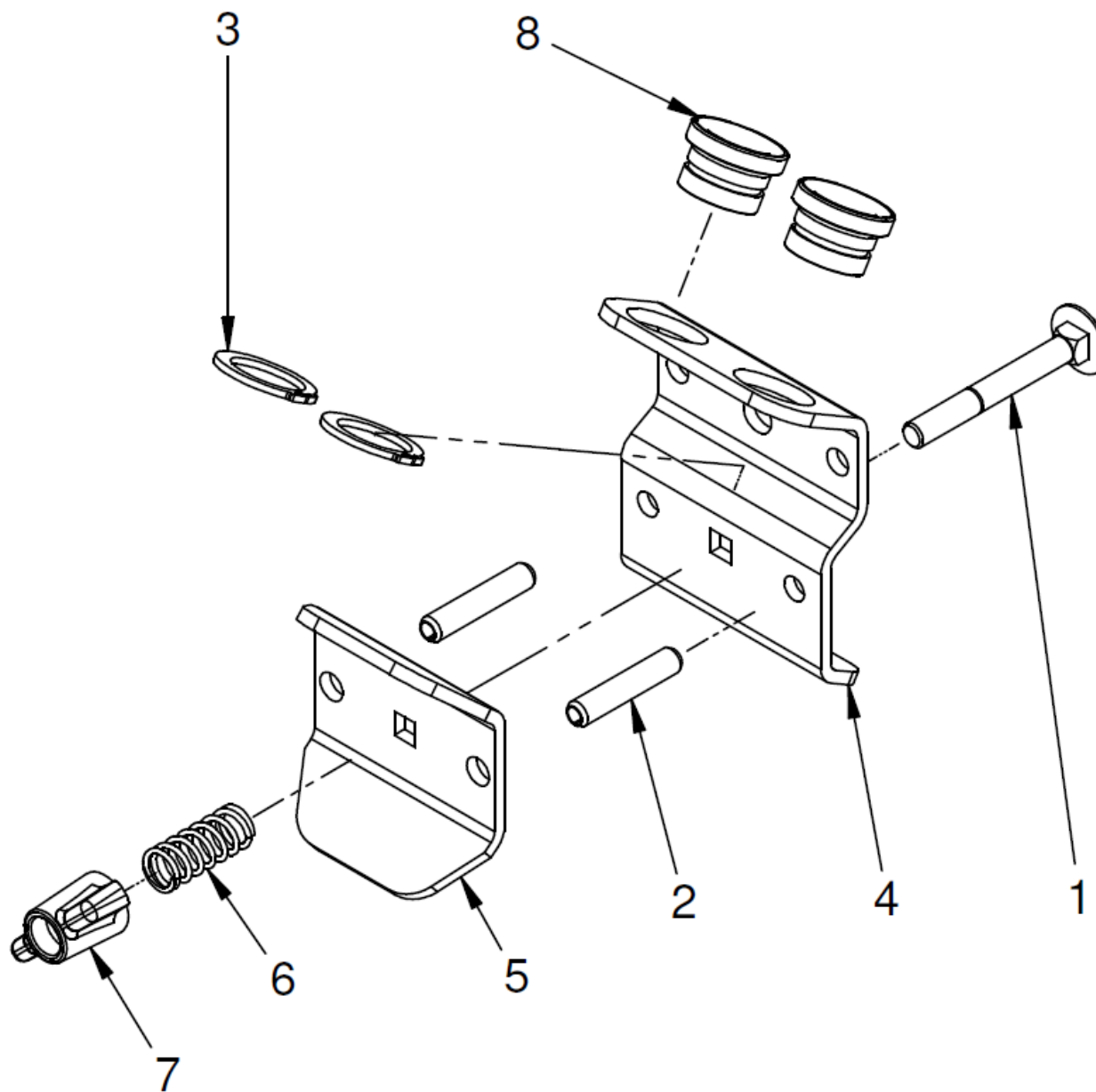
S.N.



S.N.

Pos.	Code	Description	Quantity
1	020.012	SCREW TE M 6X20 8.8 ISO 4017 ZB	6
2	021.115	SELF-LOCKING NUT M6 7473 ZB	3
3	024.344	ELASTIC PIN D.6X30 6873	2
4	076.455	MOTOREDUC. UNIT BONETTI 12V-180W-90RPM	1
5	50005082	WELD ASSY MOTOR SUPORT ZB	1
6	50005088	ELECTRIC MOTOR SLEEVE ZB	1
7	50005090	JOINT ZB	1

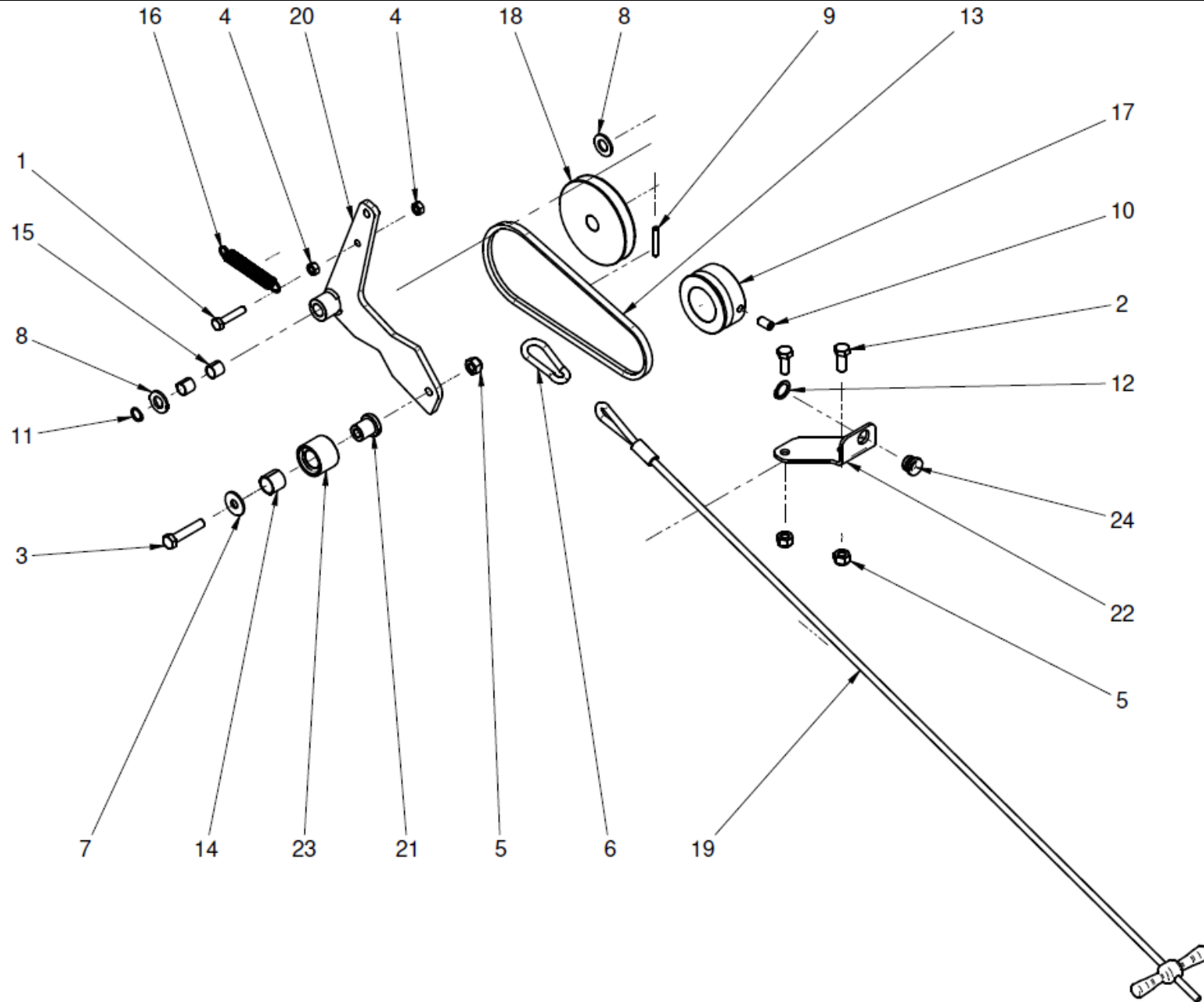
S.N.



S.N.

Pos.	Code	Description	Quantity
1	020.736	SCREW TTQST M 6X50 4.6 5731 ZB	1
2	024.344	ELASTIC PIN D.6X30 6873	2
3	028.237	SEEGER RING EXT. D. 18 7436 (HEAVY)	2
4	50005174	TWINE BRAKE SUPPORT ZB	1
5	50005176	TWINE BRAKE ZB	1
6	50005178	SPRING ZB	1
7	52000728	HAND M6	1
8	54005180	TWINE GUIDING BUSHING	2

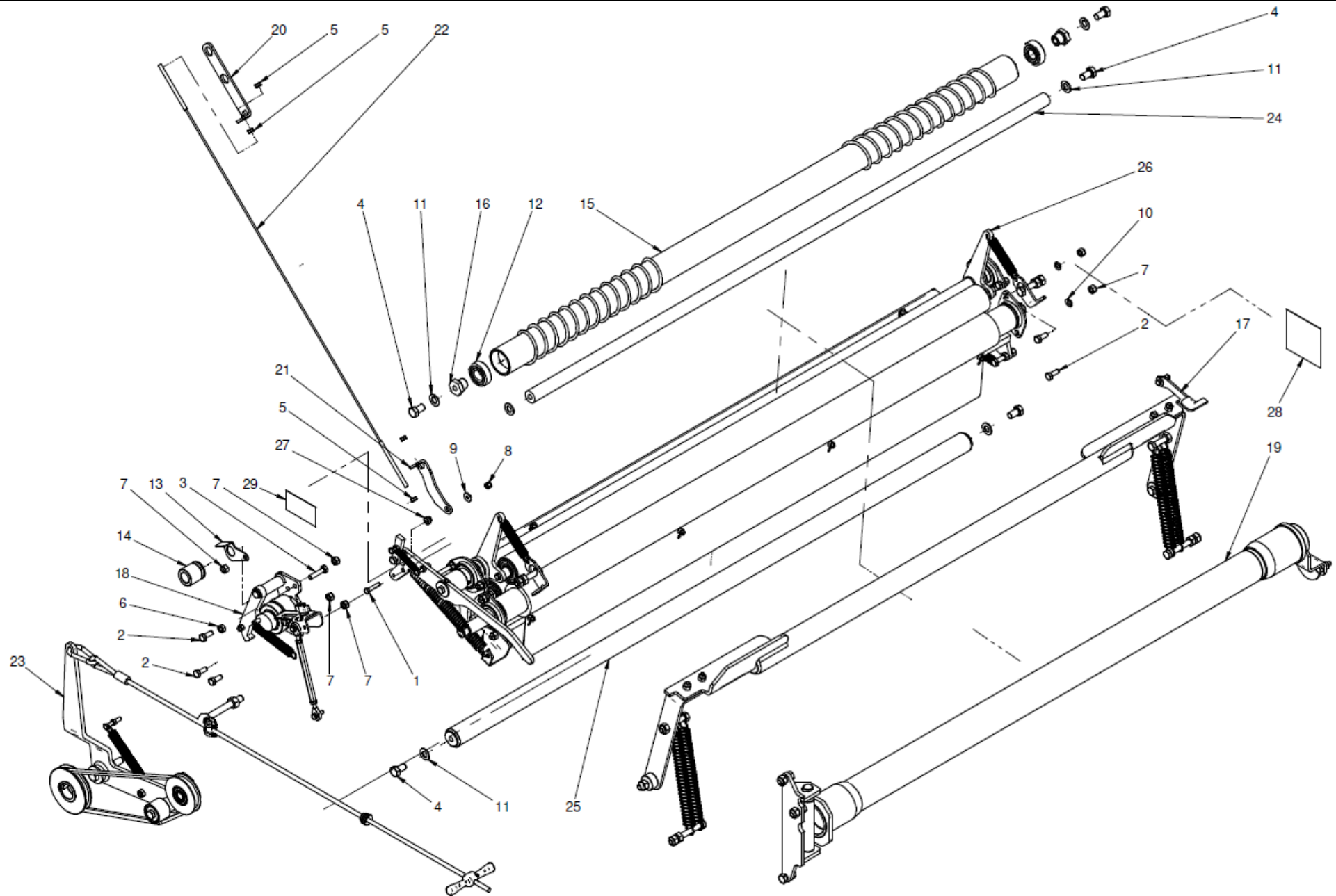
S.N.



S.N.

Pos.	Code	Description	Quantity
1	020.049	SCREW TE M 8X40 8.8 5737 ZB	1
2	020.101	SCREW TE M 10X25 8.8 5739 ZB	2
3	020.106	SCREW TE M 10X50 8.8 ISO 4014 ZB	1
4	021.003	NUT E 6S M 8 5588 ZB	2
5	021.112	SELF-LOCKING NUT M10 7473 ZB	3
6	022.210	SNAP-HOOK D7X70	1
7	023.027	FLAT WASHER M10=11X30X2,5 6593 ZB	1
8	023.035	FLAT WASHER M14=15X28X2,5 6592 ZB	2
9	024.345	ELASTIC PIN D. 6X40 6873 NE	1
10	026.118	GRAIN CE 12.9 M 10X20 5927	1
11	028.101	SEEGER RING EXT. D. 14 7435/471	1
12	028.237	SEEGER RING EXT. D. 18 7436 (HEAVY)	1
13	031.007	BELT Z 24 10X6 L=610	1
14	052.100	BUSH 20-23-20	1
15	052.160	BUSH 14-16-15	2
16	10001912	SEED COVER SPRING ZB	1
17	50005010	BELT PULLEY	1
18	50005124	PULLEY	1
19	50005302	COMPL. ASSY BINDING STARTING ROPE L=4MT	1
20	50005450	WELD ASSY TWINE BINDING LEVER	1
21	50005454	TWINE TIGHTENER PULEY PIN	1
22	50005455	ROPE PASSAGE SMALL BRACKET	1
23	50005785	TIGHTENER PULLEY	1
24	54005180	TWINE GUIDING BUSHING	1

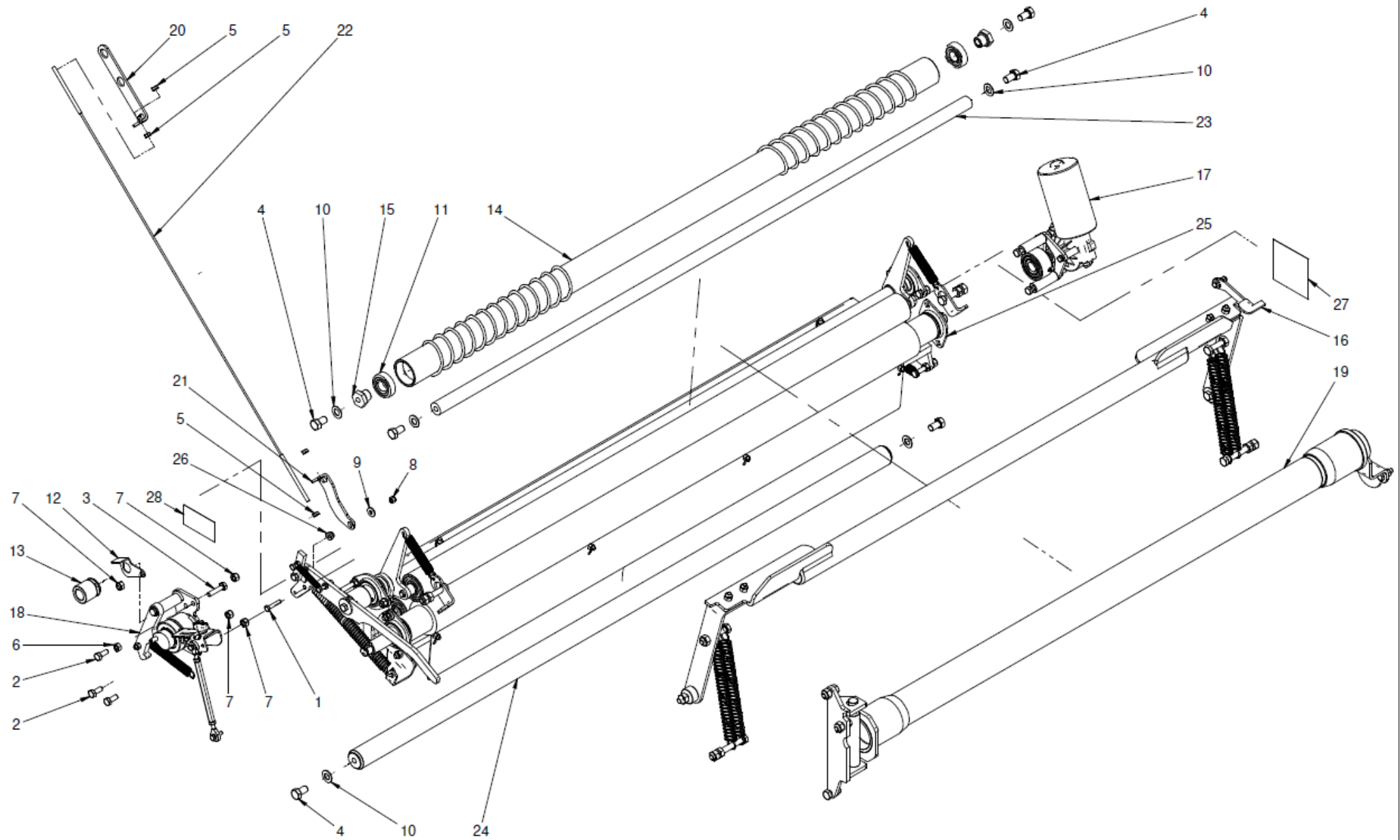
S.N.



S.N.

Pos.	Code	Description	Quantity
1	020.008	SCREW TE M 6X30 8.8 ISO 4014 ZB	1
2	020.051	SCREW TE M 8X20 8.8 5739 ZB	5
3	020.054	SCREW TE M 8X35 8.8 5739 ZB	1
4	020.150	SCREW TE M 12X20 8.8 5739 ZB	5
5	021.002	NUT E 6S M 6 5588 ZB	4
6	021.003	NUT E 6S M 8 5588 ZB	1
7	021.114	SELF-LOCKING NUT M8 7473 ZB	6
8	021.115	SELF-LOCKING NUT M6 7473 ZB	1
9	023.005	FLAT WASHER M6=6,6X18X2 6593 ZB	1
10	023.020	FLAT WASHER M8=8,4X16X1,6 6592 ZB	2
11	023.040	FLAT WASHER M12=13X24X2,5 6592 ZB	6
12	050.007	BEARING 20X47X14 6204-2RS	2
13	50003230	CONTROL CABLE ZB	1
14	50003231	CABLE PASSAGE SMALL WHEEL (PA 6)	1
15	50005611	WELD ASSY SPIRAL ROLLER	1
16	50005616	ROLLER SUPPORT	2
17	50005700	COMPL. ASSY NET BRAKE ACTION	1
18	50005707	COMPL. ASSY BALE COUNTER MECHANISM	1
19	50005708	COMPL. ASSY NET AXLE	1
20	50005758	ROPE CONNECTION	1
21	50005759	LEVER ROPE CONNECTION ACTION	1
22	50005766	NET CUTTING REARMING CABLE 120 ZB	1
23	50005780	COMPL. ASSY TRASMISSION BELT NET 120	1
24	50005826	RETURNING NET ROUND BAR ZB	1
25	50005828	WELD ASSY NET RETURN TUBE ZB	1
26	50005930	COMPL. ASSY NET BINDER ROLLERS ACTION	1
27	61006252	PIN D=10-14 ZB	1
28	89006020	STICKER NET PASSAGE DIAGRAM ACTION	1
29	89006026	STICKER NET REV COUNTER ACTION-GENIUS	1
30	89006031	STICKER "CE" KIT BINDING SYSTEM	1

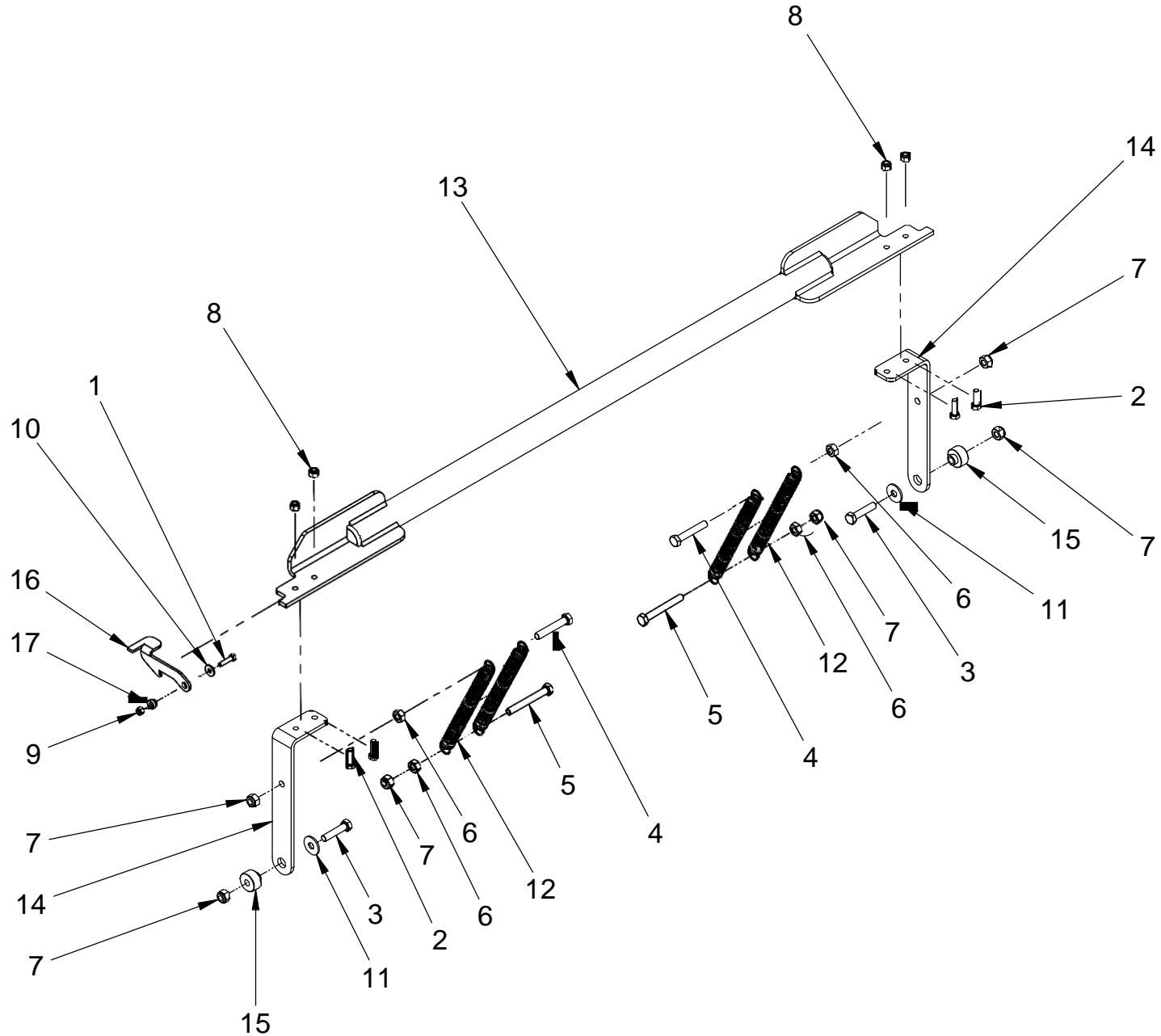
S.N.



S.N.

Pos.	Code	Description	Quantity
1	020.008	SCREW TE M 6X30 8.8 ISO 4014 ZB	1
2	020.051	SCREW TE M 8X20 8.8 5739 ZB	3
3	020.054	SCREW TE M 8X35 8.8 5739 ZB	1
4	020.150	SCREW TE M 12X20 8.8 5739 ZB	6
5	021.002	NUT E 6S M 6 5588 ZB	4
6	021.003	NUT E 6S M 8 5588 ZB	1
7	021.114	SELF-LOCKING NUT M8 7473 ZB	4
8	021.115	SELF-LOCKING NUT M6 7473 ZB	1
9	023.005	FLAT WASHER M6=6,6X18X2 6593 ZB	1
10	023.040	FLAT WASHER M12=13X24X2,5 6592 ZB	6
11	050.007	BEARING 20X47X14 6204-2RS	2
12	50003230	CONTROL CABLE ZB	1
13	50003231	CABLE PASSAGE SMALL WHEEL (PA 6)	1
14	50005611	WELD ASSY SPIRAL ROLLER	1
15	50005616	ROLLER SUPPORT	2
16	50005700	COMPL. ASSY NET BRAKE ACTION	1
17	50005706	COMPL. ASSY NET BINDER ENGINE	1
18	50005707	COMPL. ASSY BALE COUNTER MECHANISM	1
19	50005708	COMPL. ASSY NET AXLE	1
20	50005758	ROPE CONNECTION	1
21	50005759	LEVER ROPE CONNECTION ACTION	1
22	50005766	NET CUTTING REARMING CABLE 120 ZB	1
23	50005826	RETURNING NET ROUND BAR ZB	1
24	50005828	WELD ASSY NET RETURN TUBE ZB	1
25	50005930	COMPL. ASSY NET BINDER ROLLERS ACTION	1
26	61006252	PIN D=10-14 ZB	1
27	89006020	STICKER NET PASSAGE DIAGRAM ACTION	1
28	89006026	STICKER NET REV COUNTER ACTION-GENIUS	1
29	89006031	STICKER "CE" KIT BINDING SYSTEM	1

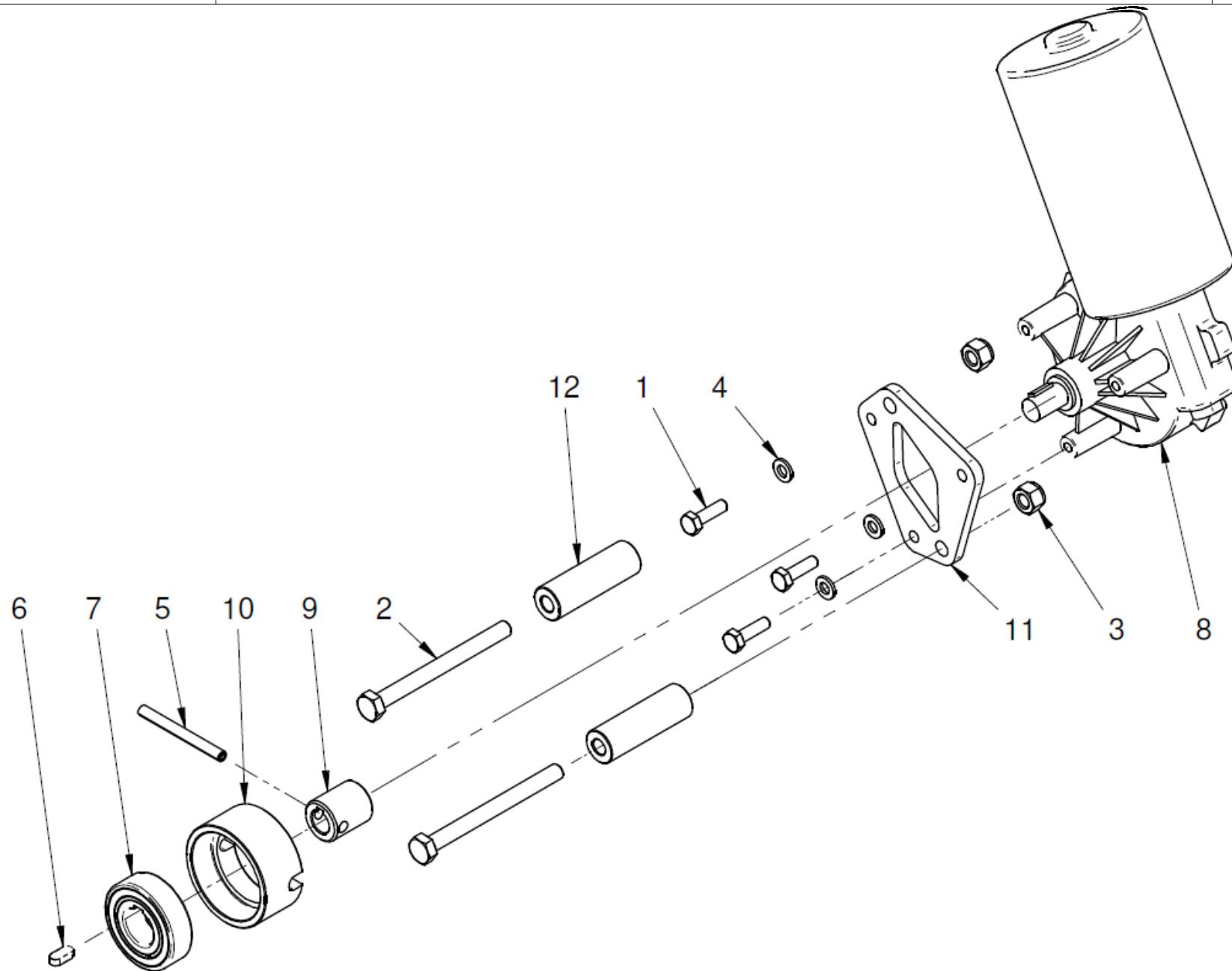
S.N.



S.N.

Pos.	Code	Description	Quantity
1	020.013	SCREW TE M 6X25 8.8 ISO 4017 ZB	1
2	020.052	SCREW TE M 8X25 8.8 5739 ZB	4
3	020.105	SCREW TE M 10X45 8.8 5737 ZB	2
4	020.107	SCREW TE M 10X60 8.8 ISO 4014 ZB	2
5	020.109	SCREW TE M 10X80 8.8 5737 ZB	2
6	021.004	NUT E 6S M 10 5588 ZB	4
7	021.112	SELF-LOCKING NUT M10 7473 ZB	6
8	021.114	SELF-LOCKING NUT M8 7473 ZB	4
9	021.115	SELF-LOCKING NUT M6 7473 ZB	1
10	023.005	FLAT WASHER M6=6,6X18X2 6593 ZB	1
11	023.027	FLAT WASHER M10=11X30X2,5 6593 ZB	2
12	50005695	NET BRAKE SPRING ZB	4
13	50005710	WELD ASSY NET BRAKE	1
14	50005715	NET BRAKE LEVER	2
15	50005716	SPACER PIN	2
16	50005717	NET BRAKE HOOKING	1
17	61006252	PIN D=10-14 ZB	1

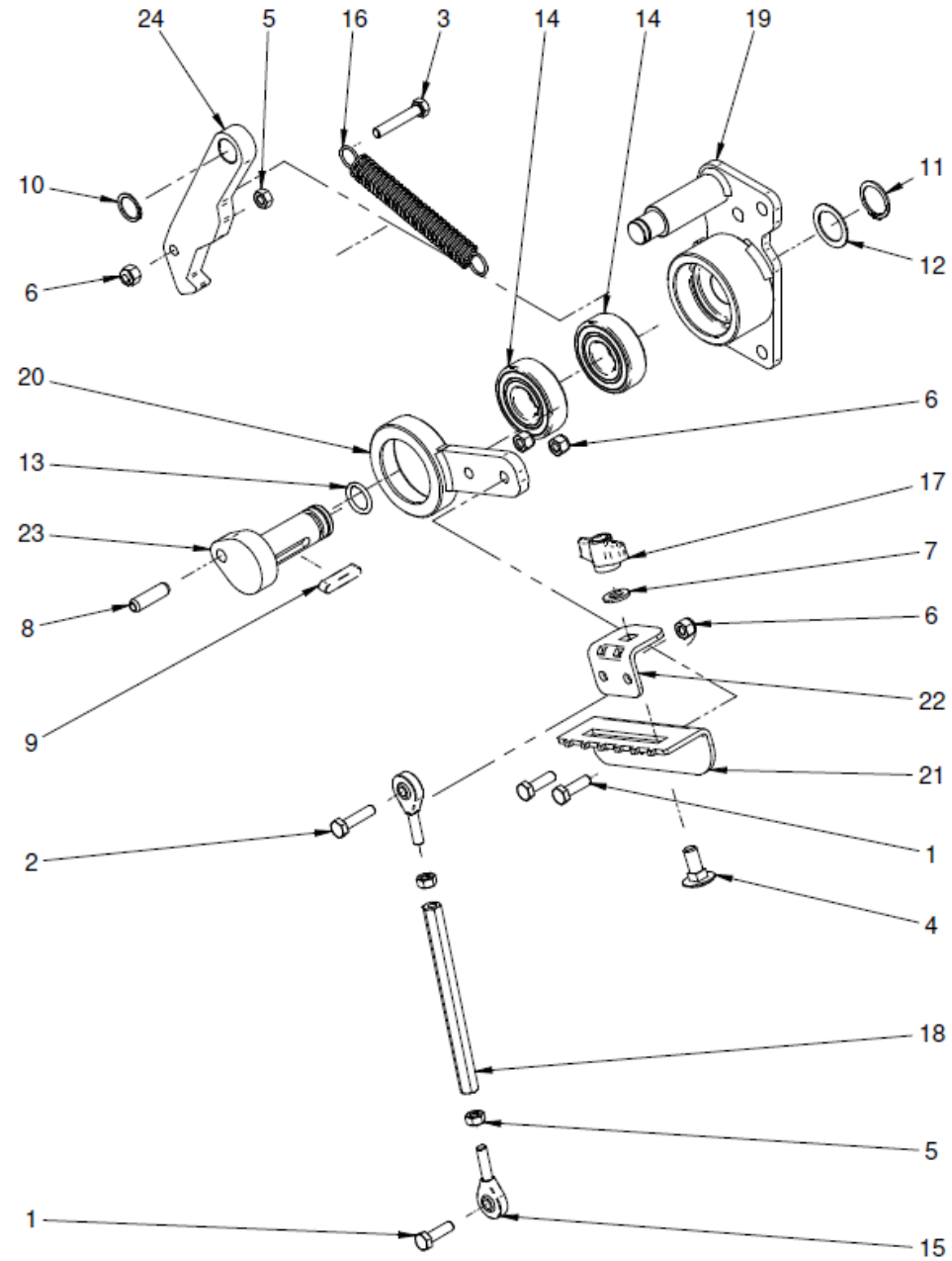
S.N.



S.N.

Pos.	Code	Description	Quantity
1	020.012	SCREW TE M 6X20 8.8 ISO 4017 ZB	3
2	020.071	SCREW TE M 8X90 8.8 5739 ZB	2
3	021.114	SELF-LOCKING NUT M8 7473 ZB	2
4	023.010	FLAT WASHER M6=6,3X12X1,6 6592 ZB	3
5	024.416	EL. SPIR. PIN D. 6X55 6875 NE	1
6	027.806	GROOVE-AND TONGUE JOINT 6X4X14 7510/A	1
7	050.039	FREE WHEEL BEARING CSK. P 20X47X14	1
8	076.455	MOTOREDUC. UNIT BONETTI 12V-180W-90RPM	1
9	50005088	ELECTRIC MOTOR SLEEVE ZB	1
10	50005550	DRAWOMG BUSH	1
11	50005770	MOTOR SUPPORT FOR NET BINDING SYSTEM	1
12	50005771	MOTOR SUPPORT SPACER	2

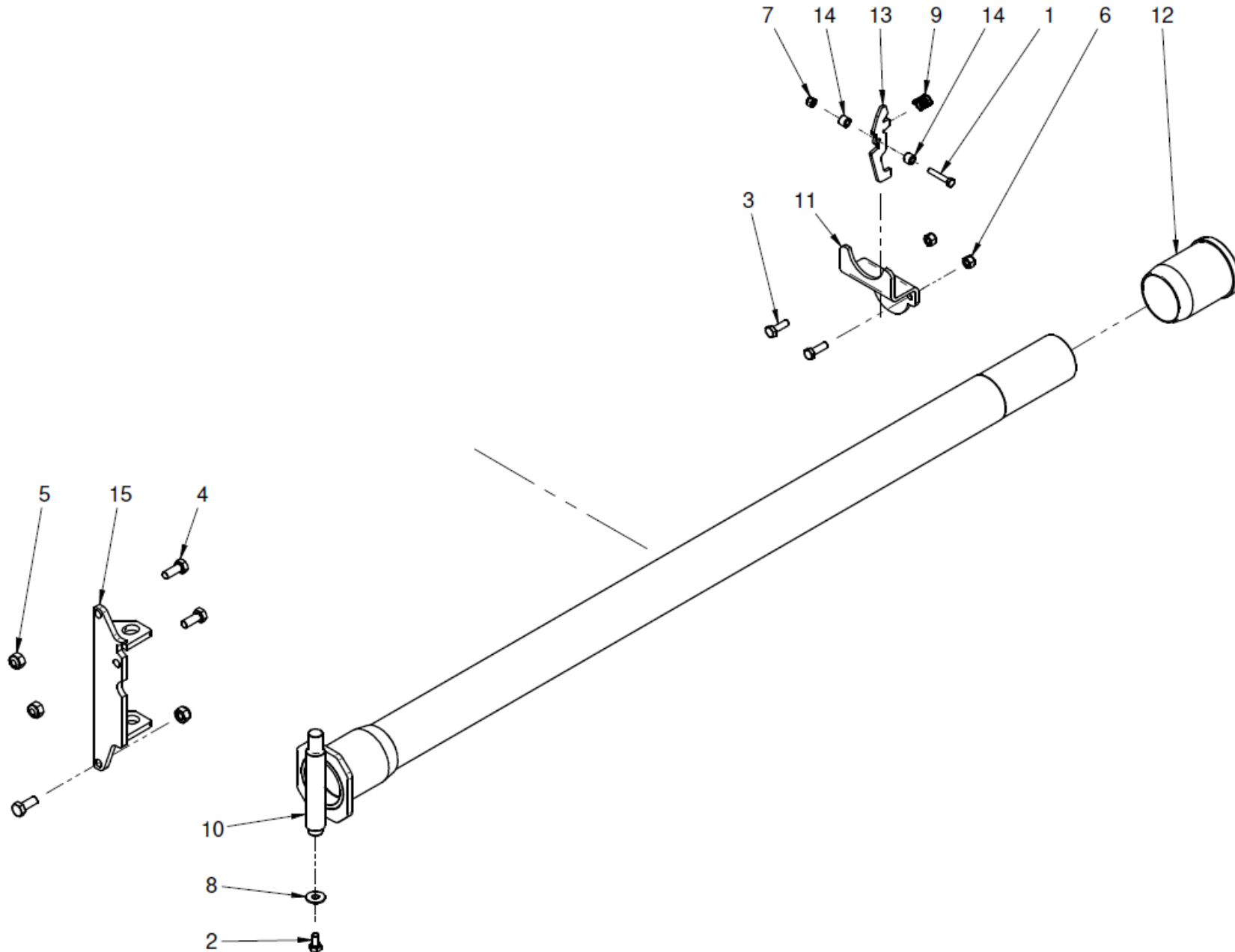
S.N.



S.N.

Pos.	Code	Description	Quantity
1	020.012	SCREW TE M 6X20 8.8 ISO 4017 ZB	3
2	020.013	SCREW TE M 6X25 8.8 ISO 4017 ZB	1
3	020.015	SCREW TE M6X35 8.8 5739 ZB	1
4	020.600	SCREW TTQST M 8X20 4.6 5731 ZB	1
5	021.002	NUT E 6S M 6 5588 ZB	3
6	021.115	SELF-LOCKING NUT M6 7473 ZB	4
7	023.020	FLAT WASHER M8=8,4X16X1,6 6592 ZB	1
8	024.366	ELASTIC PIN D. 8X28 6873 NE	1
9	027.102	GROOVE-AND-TONGUE JOINT 6X6X30 6604/A	1
10	028.100	RETAIN RING D15 UNI7435	1
11	028.105	SEEGER RING EXT. D. 20 7435/471	1
12	028.302	RING TYPE "PS" 20X28X1 DIN988	1
13	046.014	O RING 119	1
14	050.039	FREE WHEEL BEARING CSK. P 20X47X14	2
15	050.046	SPHERICAL ARTICULAT. JOINT D. 6 ART.KA6D	2
16	056.050	DRIVE SPRING (1,5X15X73) ZB	1
17	095.258	LOCKING KNOB GB/40/FP M8	1
18	50005532	REGULATION HEXAGON ACTION	1
19	50005640	WELD ASSY CAM HUB	1
20	50005643	WELD ASSY SWINGING ARM	1
21	50005646	SWINGING ARM EXTENSION	1
22	50005647	TURNS REGULATION	1
23	50005648	CAM	1
24	50005649	HOOK	1

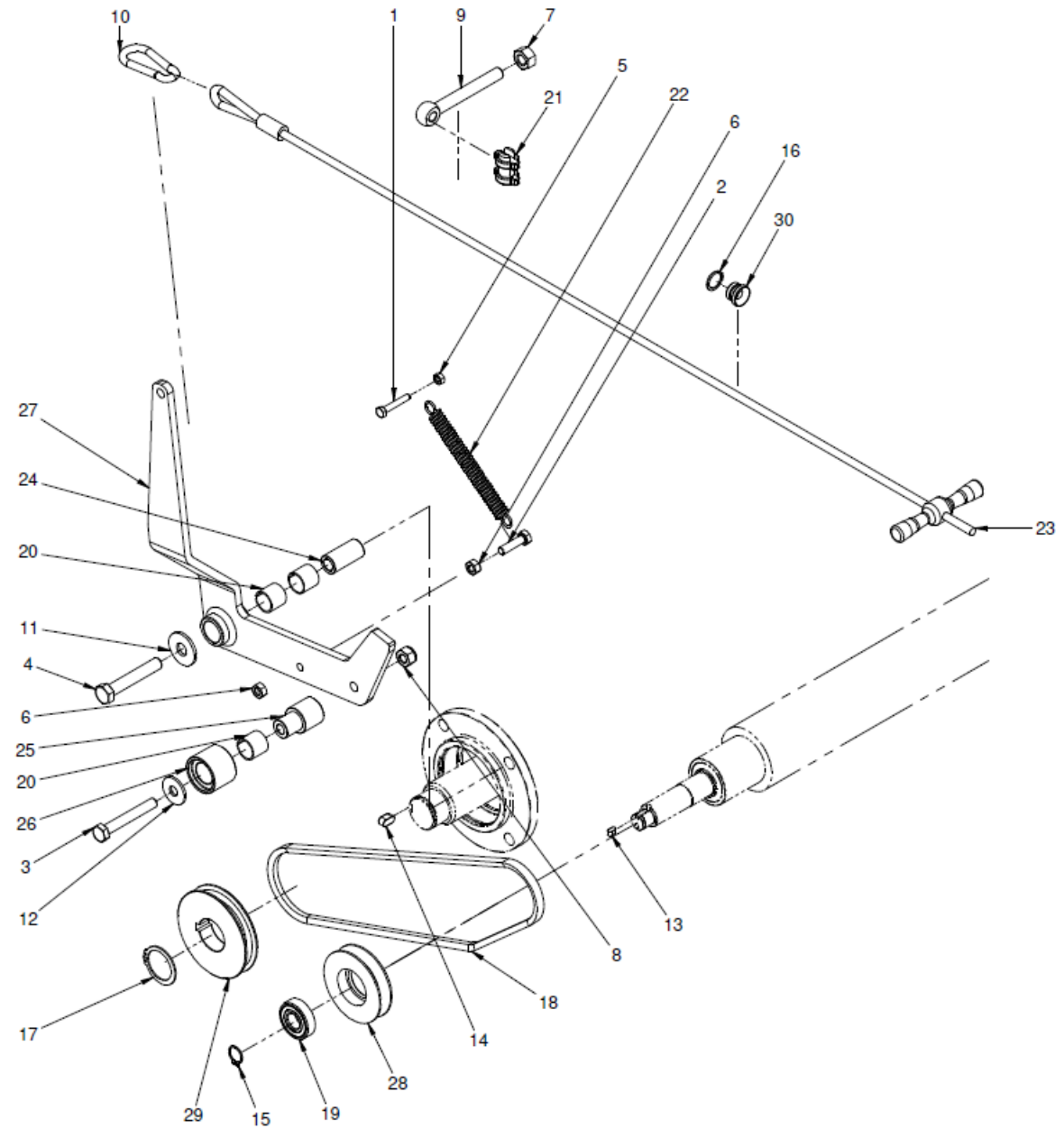
S.N.



S.N.

Pos.	Code	Description	Quantity
1	020.004	SCREW TE M 6X35 8.8 5737 ZB	1
2	020.050	SCREW TE M 8X16 8.8 5739 ZB	1
3	020.052	SCREW TE M 8X25 8.8 5739 ZB	2
4	020.101	SCREW TE M 10X25 8.8 5739 ZB	3
5	021.112	SELF-LOCKING NUT M10 7473 ZB	3
6	021.114	SELF-LOCKING NUT M8 7473 ZB	2
7	021.115	SELF-LOCKING NUT M6 7473 ZB	1
8	023.017	FLAT WASHER M8=9X24X2 6593 ZB	1
9	10004127	SPRING D.15X24 ZB	1
10	50005810	WELD ASSY NET AXLE	1
11	50005815	NET AXLE SUPPORT	1
12	50005816	ROLLER NET CENTERING	1
13	50005818	NET AXLE HOOK	1
14	50005819	PIN D.6-12 L=10	2
15	50005866	WELD ASSY NET AXLE FULCRUM BRACKET	1

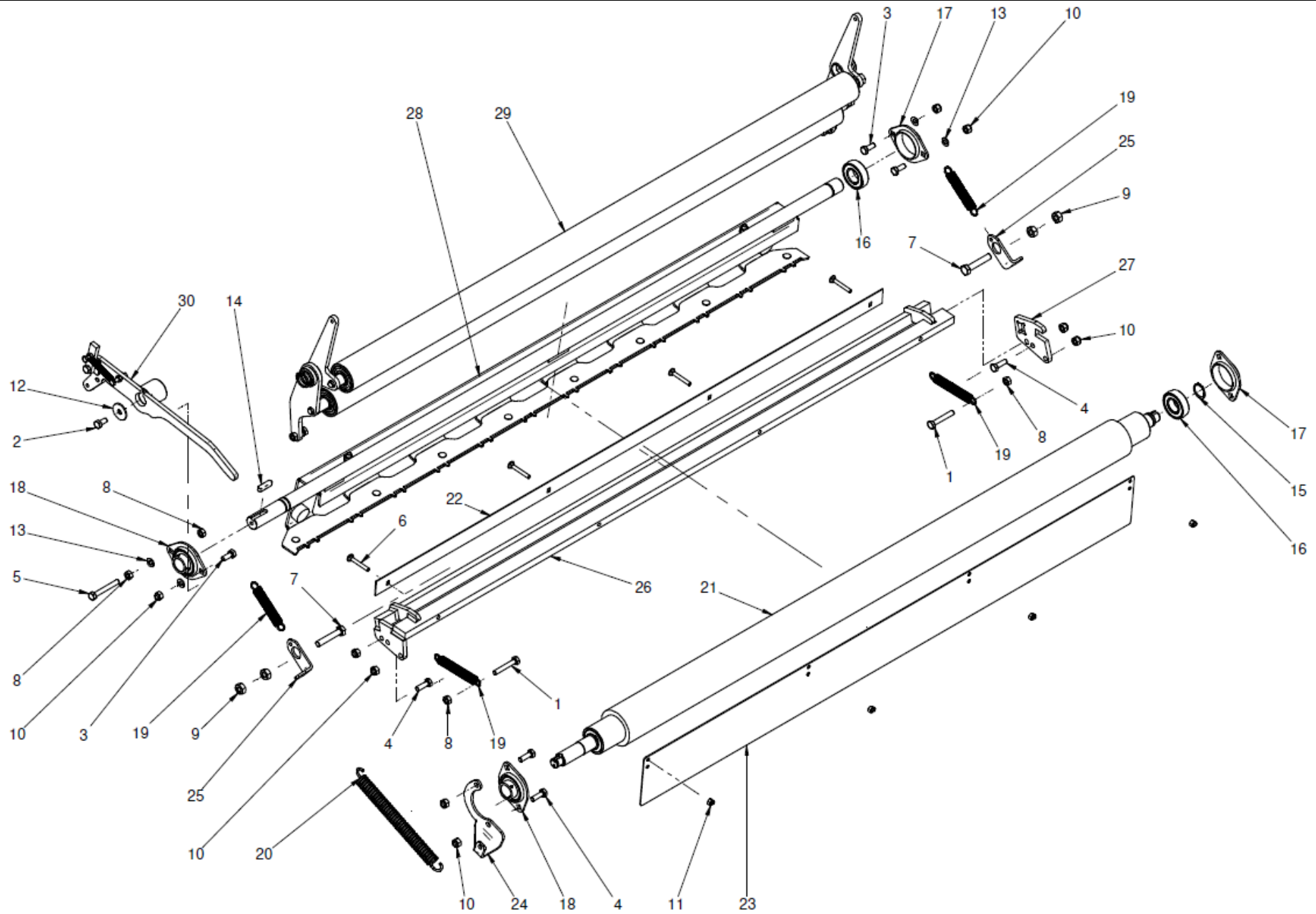
S.N.



S.N.

Pos.	Code	Description	Quantity
1	020.004	SCREW TE M 6X35 8.8 5737 ZB	1
2	020.066	SCREW TE M 8X30 8.8 ISO 4014 ZB	1
3	020.127	SCREW TE M 10X70 8.8 ISO 4014 ZB	1
4	020.176	SCREW TE M 12X70 8.8 5737 ZB	1
5	021.002	NUT E 6S M 6 5588 ZB	1
6	021.003	NUT E 6S M 8 5588 ZB	2
7	021.005	NUT E 6S M 12 5588 ZB	1
8	021.112	SELF-LOCKING NUT M10 7473 ZB	1
9	022.143	EYE TIE-ROD M 12 L=100 6058 ZB	1
10	022.210	SNAP-HOOK D7X70	1
11	023.025	FLAT WASHER M12=14X36X3 6593 ZB	1
12	023.027	FLAT WASHER M10=11X30X2,5 6593 ZB	1
13	027.005	GROOVE-AND-TONGUE JOINT 5X5X10 6604/A	1
14	027.214	GROOVE-AND- TONGUE JOINT 8X7X16 6604/A	1
15	028.102	SEEGER RING EXT. D. 17 7435/471	1
16	028.104	SEEGER RING EXT. D.18 7435/471	1
17	028.112	SEEGER RING EXT. D.35 7435/471	1
18	031.020	BELT Z 34 1/4" (10X6) L=870	1
19	050.040	FREE WHEEL BEARING CSK. P 17X40X12	1
20	052.100	BUSH 20-23-20	3
21	095.057	LOCK NYLON CABLE	1
22	10001912	SEED COVER SPRING ZB	1
23	50005302	COMPL. ASSY BINDING STARTING ROPE L=4MT	1
24	50005783	NET BINDING LEVER PIN	1
25	50005784	TIE-ROD PULLEY PIN	1
26	50005785	TIGHTENER PULLEY	1
27	50005786	WELD ASSY BELT ACTIONING LEVER	1
28	50005879	PULLEY	1
29	50005892	PULLEY	1
30	54005180	TWINE GUIDING BUSHING	1

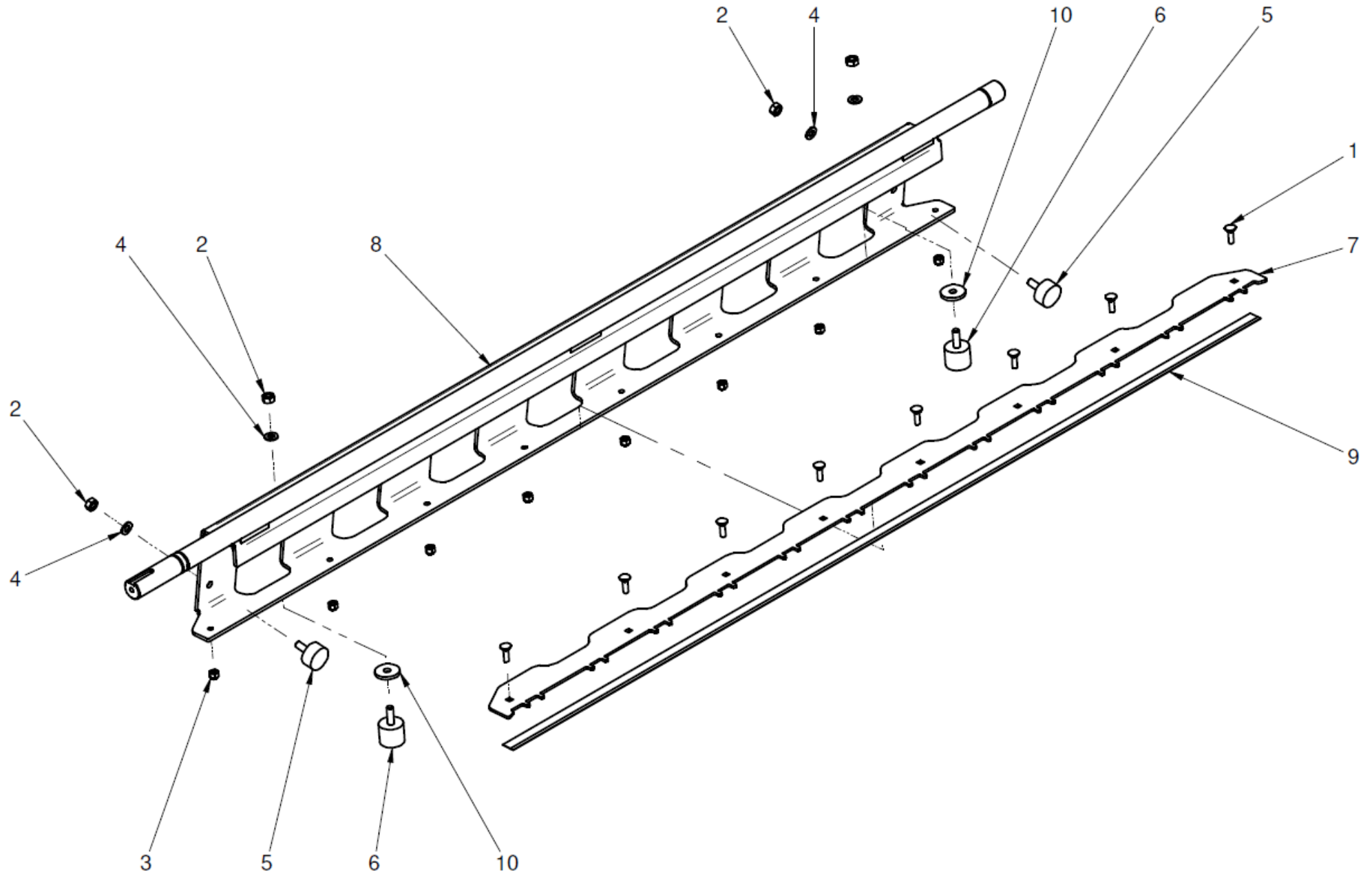
S.N.



S.N.

Pos.	Code	Description	Quantity
1	020.025	SCREW TE M 8X50 8.8 5739 ZB	2
2	020.050	SCREW TE M 8X16 8.8 5739 ZB	1
3	020.051	SCREW TE M 8X20 8.8 5739 ZB	3
4	020.052	SCREW TE M 8X25 8.8 5739 ZB	4
5	020.058	SCREW TE M 8X60 8.8 5737 ZB	1
6	020.094	SCREW TTQST M 6X45 4.6 5731 ZB	4
7	020.139	SCREW TE M 10X55 8.8 5737 ZB	2
8	021.003	NUT E 6S M 8 5588 ZB	4
9	021.004	NUT E 6S M 10 5588 ZB	4
10	021.114	SELF-LOCKING NUT M8 7473 ZB	9
11	021.115	SELF-LOCKING NUT M6 7473 ZB	4
12	023.019	FLAT WASHER M8=9X32X2,5 6593 ZB	1
13	023.020	FLAT WASHER M8=8,4X16X1,6 6592 ZB	4
14	027.204	GROOVE-AND-TONGUE JOINT 8X7X32 6604/A	1
15	028.108	SEEGER RING EXT. D. 25 7435/471	1
16	050.085	BEARING INA 205 NPPB (25X52X15)	2
17	051.051	PLATE FLANGE PFL205	2
18	051.101	BEARING WITH PLATE FLANGE PFL205 ZB	2
19	056.100	DRIVE SPRING (2X15X75) ZB	4
20	30031340	TENSION SPRING 3,2X21X160 ZBD	1
21	50005503	COMPL. ASSY NET BINDING RUBBER ROLLER	1
22	50005725	NET SCRAPER BLADE	1
23	50005726	NET BULKHEAD "ACTION"	1
24	50005734	SPRING CONNECTING BRACKET	1
25	50005745	UPPER ROLLER SPRING HOOK	2
26	50005774	WELD ASSY NET SCRAPER WITH SUPPORT	1
27	50005776	NET SCRAPER SUPPORT PLATE	1
28	50005940	COMPL. ASSY KNIFE HOLDER ACTION-GENIUS	1
29	50005941	COMPL. ASSY SUPPORT BINDER ROLLERS	1
30	50005942	COMPL. ASSY CUTTING LEVER ACTION	1

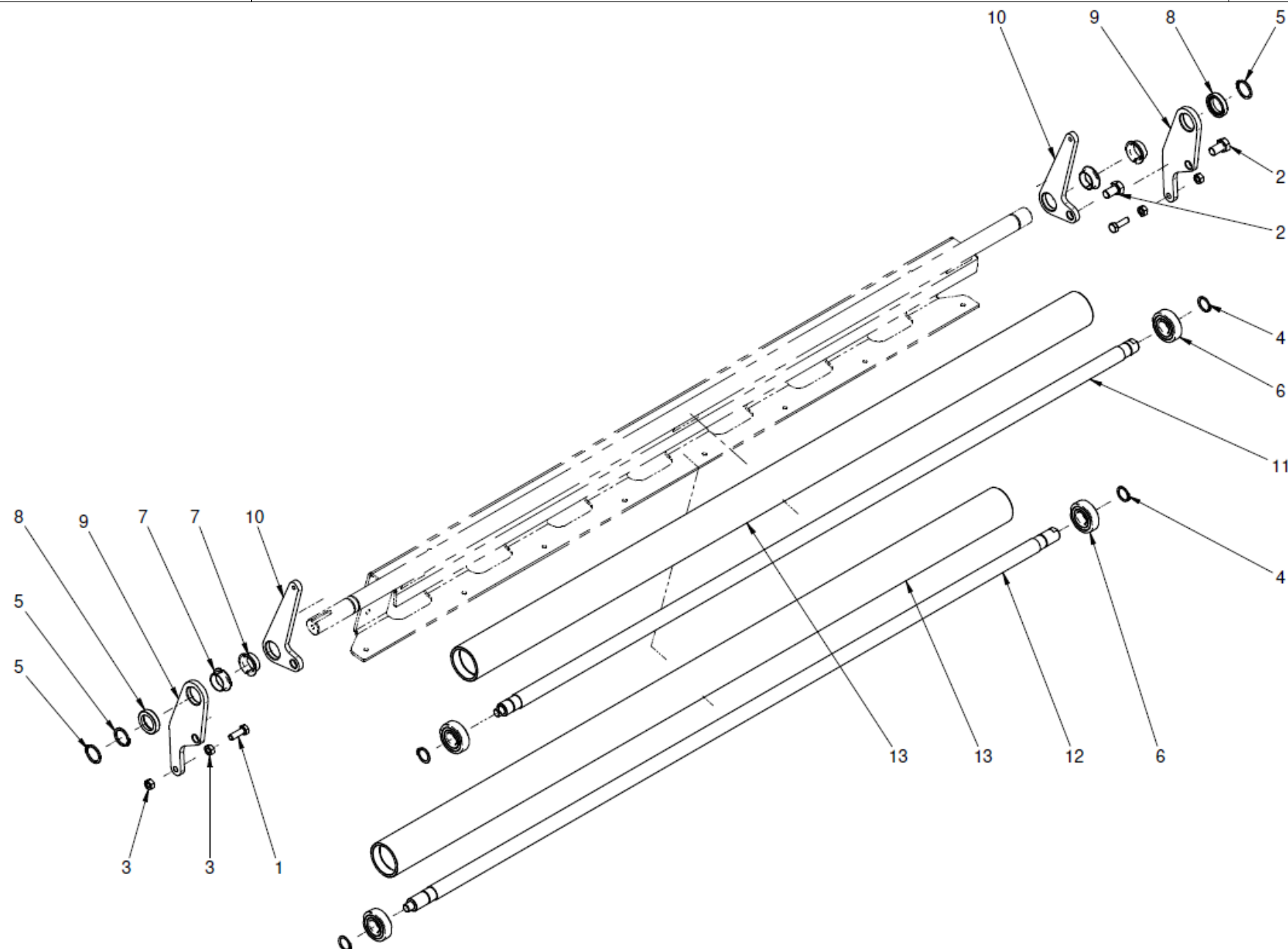
S.N.



S.N.

Pos.	Code	Description	Quantity
1	020.082	SCREW TTQST M 6X20 4.6 5731 ZB	8
2	021.003	NUT E 6S M 8 5588 ZB	4
3	021.115	SELF-LOCKING NUT M6 7473 ZB	8
4	023.020	FLAT WASHER M8=8,4X16X1,6 6592 ZB	4
5	096.301	DAMPER D.30 H=15 M8X20	2
6	096.305	DAMPER D.30 H=25 M8X23	2
7	50005729	NET COMB 2010	1
8	50005730	WELD ASSY SHEAR	1
9	50005738	BLADE ACTION-GENIUS	1
10	50005777	WASHER D.8-30 S=4	2

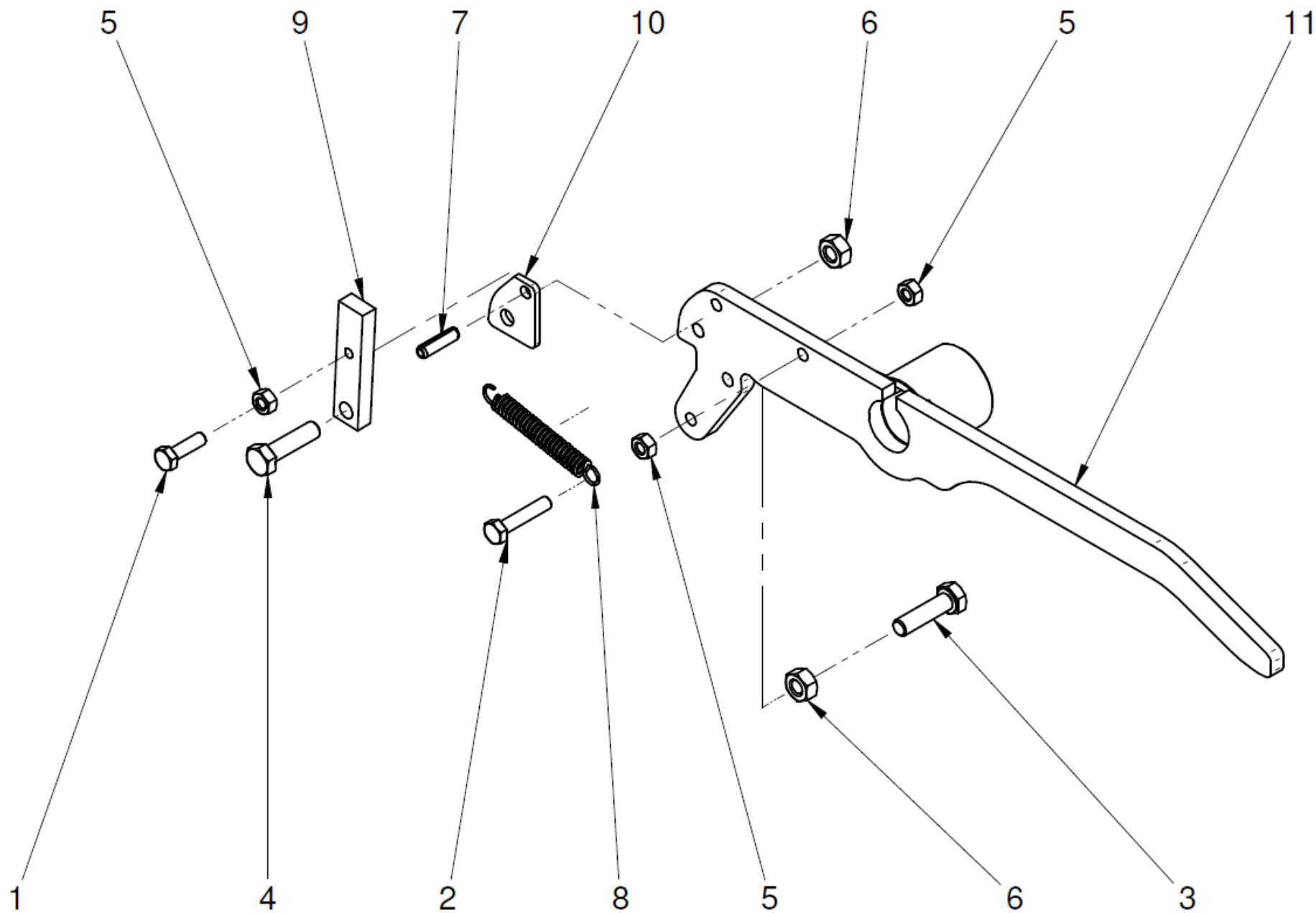
S.N.



S.N.

Pos.	Code	Description	Quantity
1	020.052	SCREW TE M 8X25 8.8 5739 ZB	2
2	020.150	SCREW TE M 12X20 8.8 5739 ZB	2
3	021.003	NUT E 6S M 8 5588 ZB	4
4	028.105	SEEGER RING EXT. D. 20 7435/471	4
5	028.250	SEEGER RING EXT. D. 25 7436 (HEAVY)	3
6	050.007	BEARING 20X47X14 6204-2RS	4
7	052.418	BUSH 25-28-35-11,5	4
8	50005735	SHEAR SPACER ZB	2
9	50005740	LOWER ROLLER ARM	2
10	50005741	UPPER ROLLER ARM	2
11	50005742	UPPER THRUST ROLLER SHAFT	1
12	50005743	LOWER THRUST ROLLER SHAFT	1
13	50005744	BINDING THRUST ROLLER	2

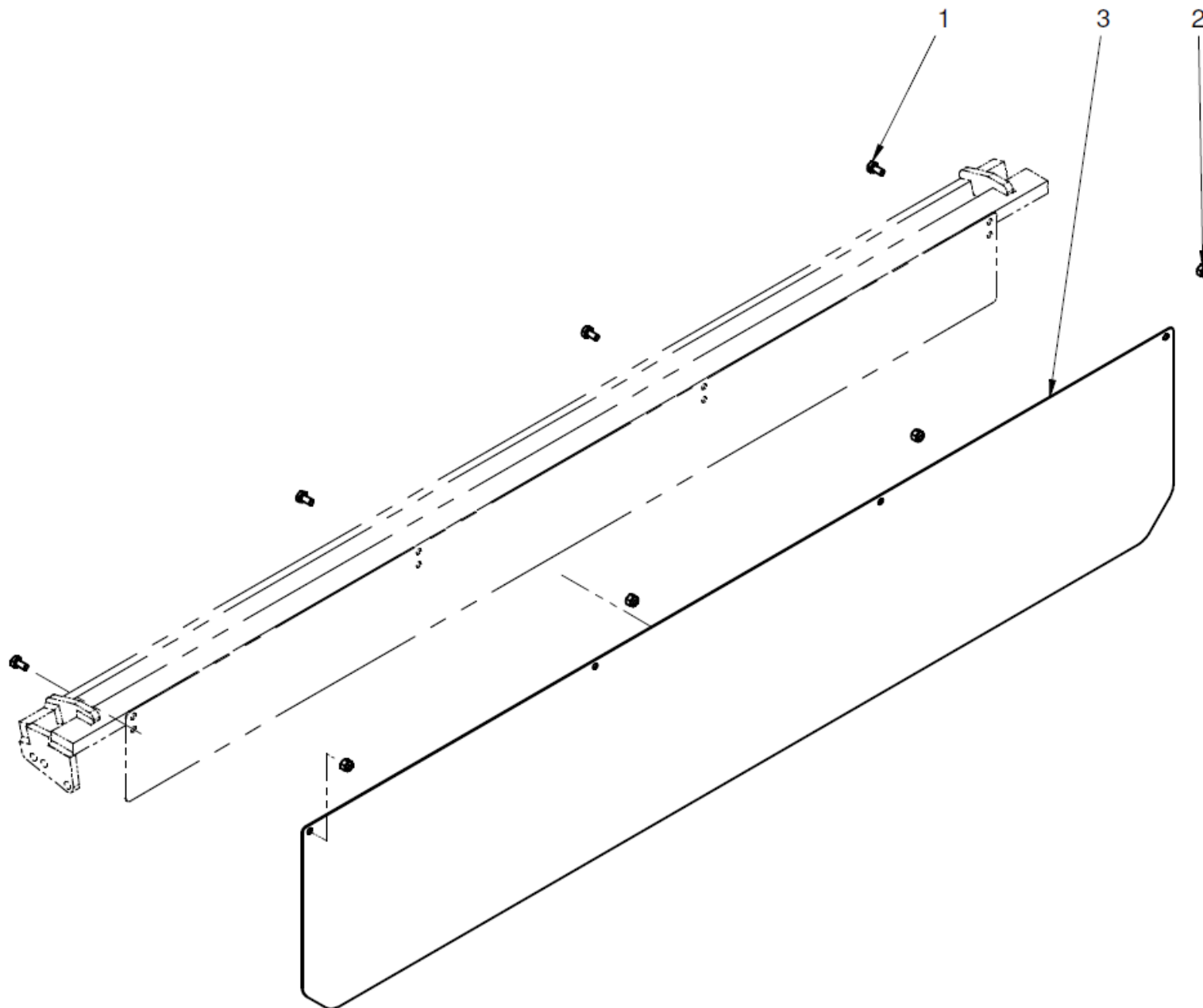
S.N.



S.N.

Pos.	Code	Description	Quantity
1	020.012	SCREW TE M 6X20 8.8 ISO 4017 ZB	1
2	020.014	SCREW TE M 6X30 8.8 5739 ZB	1
3	020.053	SCREW TE M 8X30 8.8 ISO 4017 ZB	1
4	020.066	SCREW TE M 8X30 8.8 ISO 4014 ZB	1
5	021.002	NUT E 6S M 6 5588 ZB	3
6	021.003	NUT E 6S M 8 5588 ZB	2
7	024.348	ELASTIC PIN D. 6X22 6873 NE	1
8	056.001	DRIVE SPRING (1,2X10X47) ZB	1
9	50005580	CAM TRUT	1
10	50005582	CAM SHIM	1
11	50005772	WELD ASSY LEVER FOR NET CUTTING ACTION	1

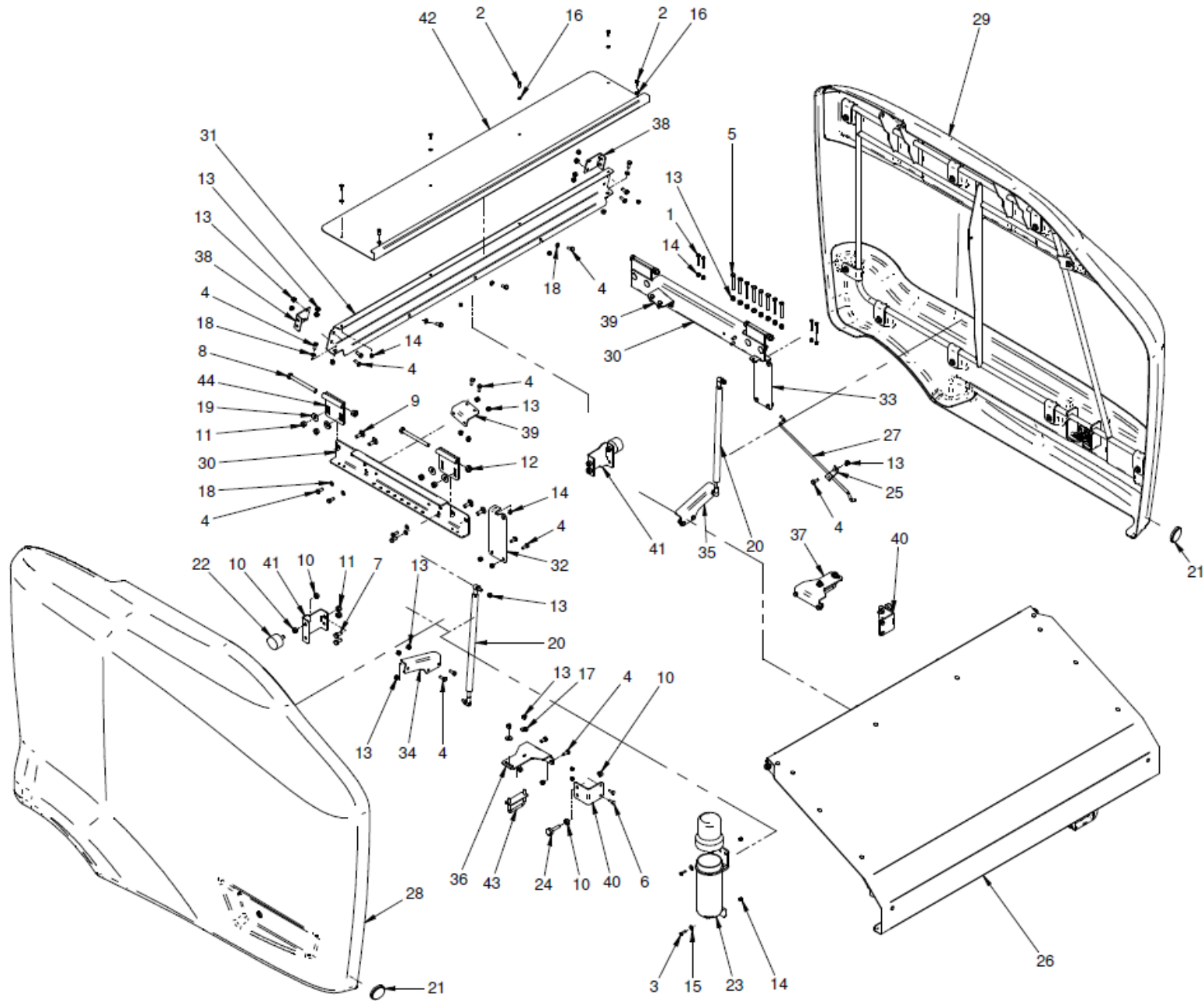
S.N.



S.N.

Pos.	Code	Description	Quantity
1	020.009	SCREW TE M 6X12 8.8 5739 ZB	4
2	021.115	SELF-LOCKING NUT M6 7473 ZB	4
3	50005727	NET BULKHEAD ACTION	1

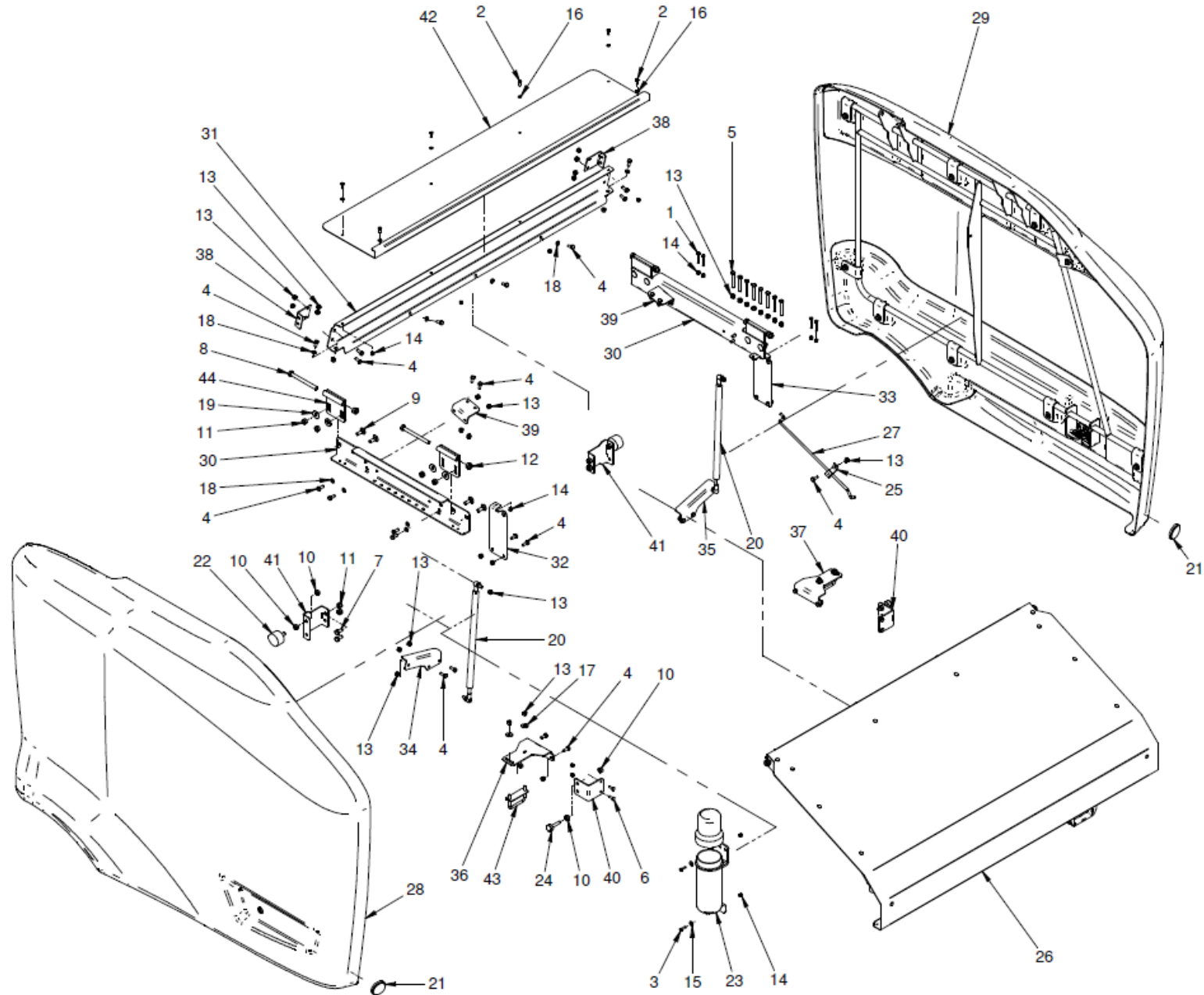
S.N.



S.N.

Pos.	Code	Description	Quantity
1	020.006	SCREW TE M 6X40 8.8 5737 ZB	4
2	020.011	SCREW TE M 6X16 8.8 5739 ZB	6
3	020.012	SCREW TE M 6X20 8.8 ISO 4017 ZB	2
4	020.051	SCREW TE M 8X20 8.8 5739 ZB	34
5	020.058	SCREW TE M 8X60 8.8 5737 ZB	8
6	020.082	SCREW TTQST M 6X20 4.6 5731 ZB	4
7	020.100	SCREW TE M 10X20 8.8 5739 ZB	2
8	020.169	SCREW TE M 12X130 8.8 5737 ZB	4
9	020.605	SCREW TTQST M 10X30 4.6 5731 ZB	8
10	021.004	NUT E 6S M 10 5588 ZB	8
11	021.112	SELF-LOCKING NUT M10 7473 ZB	10
12	021.113	SELF-LOCKING NUT M12 7473 ZB	4
13	021.114	SELF-LOCKING NUT M8 7473 ZB	47
14	021.115	SELF-LOCKING NUT M6 7473 ZB	16
15	023.005	FLAT WASHER M6=6,6X18X2 6593 ZB	2
16	023.010	FLAT WASHER M6=6,3X12X1,6 6592 ZB	6
17	023.017	FLAT WASHER M8=9X24X2 6593 ZB	4
18	023.020	FLAT WASHER M8=8,4X16X1,6 6592 ZB	13
19	023.027	FLAT WASHER M10=11X30X2,5 6593 ZB	8
20	062.722	GAS SPRING L903 ACTION=395 FORCE=650N	2
21	076.129	WHITE ADHESIVE REFLECTOR D.60	2
22	095.028	RUBBER STOPPER D.50X30-M10X25	2
23	095.093	TUBE FOR DOCUMENTS	1
24	095.308	ANTI-VIBRATION D.25 H.13 M10 X 45 ZB	2
25	10040402	HOOK CONNECTION SHEET ZB	1
26	50000651	COMPL. ASSY FRONT COVER PLATE 120	1
27	50004269	COVER PLATE SUPPORT BRACKET	1
28	50004410-51	COMPL. ASSY THERMOF. COVER PLATE 120 DX	1
29	50004411-51	COMPL. ASSY THERMOF. COVER PLATE 120 SX	1
30	50004430	COVER PLATE HINGE PLATE 120	2
31	50004431	SUPPORT CROSSBAR COVER PLATE 120	1
32	50004432	BRACKET UPPER COVER PLATE RIGHT 120	1
33	50004433	BRACKET UPPER COVER PLATE LEFT 120	1
34	50004434	BRACKET SPRING COVER PLATE 120 RIGHT	1
35	50004435	BRACKET SPRING COVER PLATE 120 LEFT	1
36	50004436	BRACKET LOCK PIN ACTION RIGHT	1
37	50004437	BRACKET LOCK PIN ACTION LEFT	1
38	50004438	BRACKET FRONT COVER PLATE CONNECTION 120	2
39	50004439	BRACKET REAR COVER PLATE CONNECTION 120	2
40	50004440	BRACKET FRONT COVER PLATE SUPPORT 120	2

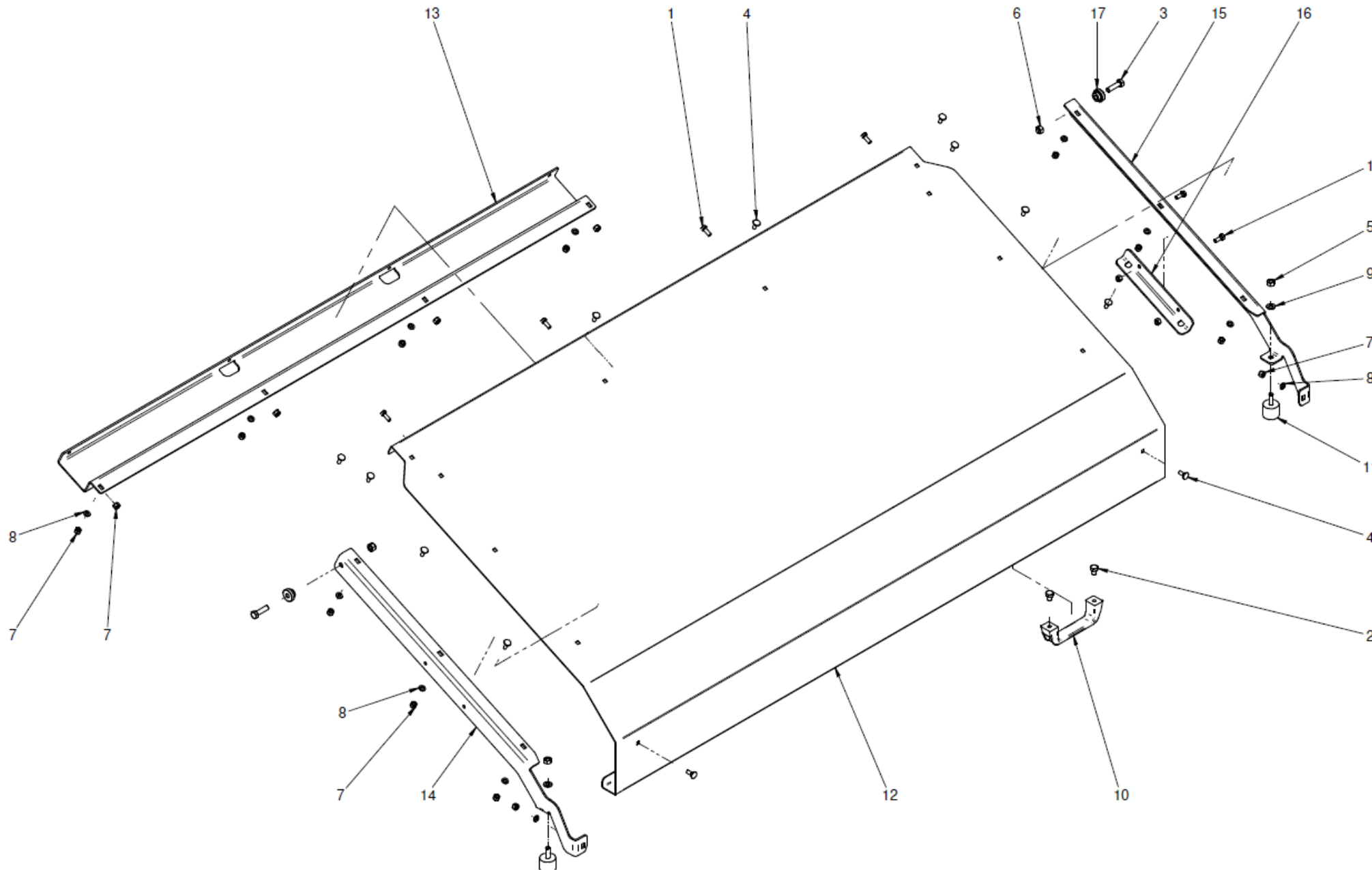
S.N.



S.N.

Pos.	Code	Description	Quantity
41	50004441	BRACKET REAR COVER PLATE SUPPORT 120	2
42	50004442	HIGH COVER PLATE 120	1
43	51001690	WELD ASSY LOCK HOOK	2
44	51001992	WELD ASSY COVER PLATE HINGE ZB	4

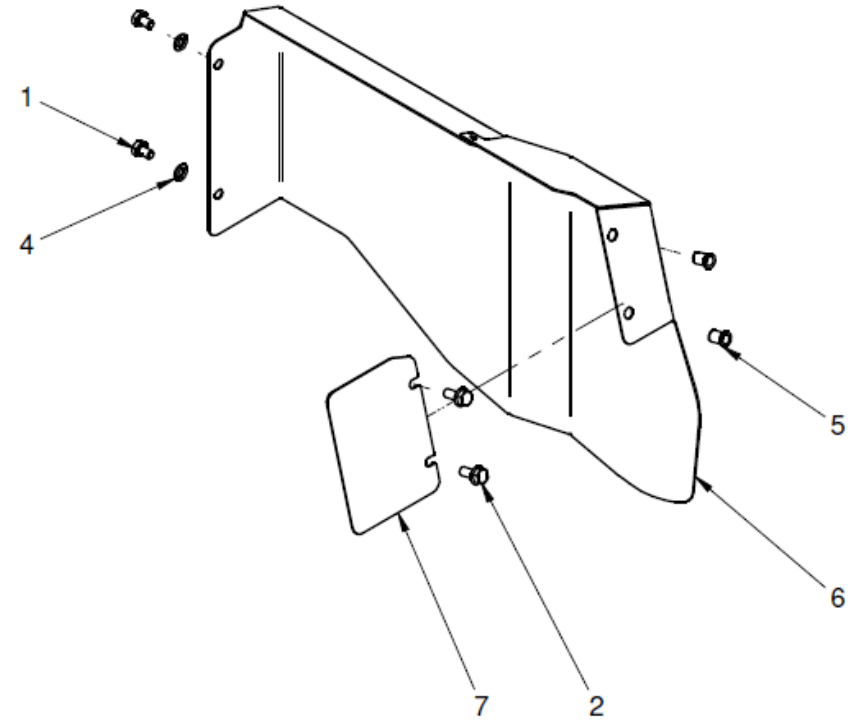
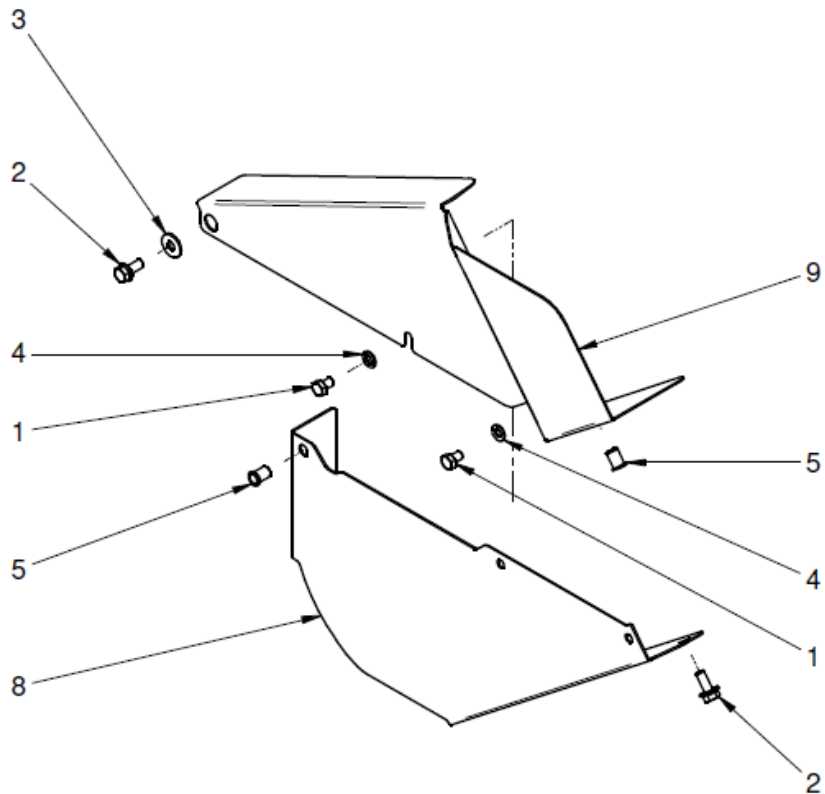
S.N.



S.N.

Pos.	Code	Description	Quantity
1	020.011	SCREW TE M 6X16 8.8 5739 ZB	6
2	020.024	SCREW TE M 8X10 8.8 5739 ZB	2
3	020.066	SCREW TE M 8X30 8.8 ISO 4014 ZB	2
4	020.088	SCREW TTQST M 6X16 4.6 5731 ZB	12
5	021.003	NUT E 6S M 8 5588 ZB	2
6	021.114	SELF-LOCKING NUT M8 7473 ZB	2
7	021.115	SELF-LOCKING NUT M6 7473 ZB	18
8	023.010	FLAT WASHER M6=6,3X12X1,6 6592 ZB	12
9	023.020	FLAT WASHER M8=8,4X16X1,6 6592 ZB	2
10	095.050	HANDLE MFB 117 M8	1
11	096.305	DAMPER D.30 H=25 M8X23	2
12	50004420-51	FRONT COVER PLATE SHEET METAL 120 N	1
13	50004421	CROSSBAR FRONT COVER PLATE 120	1
14	50004422	METAL STRUT FRONT COVER PLATE 120 RIGHT	1
15	50004423	METAL STRUT FRONT COVER PLATE 120 LEFT	1
16	50004424	SUPPORT ROAD STAND	1
17	61001428	PIN DI=8,2 DE=16X24 ZB	2

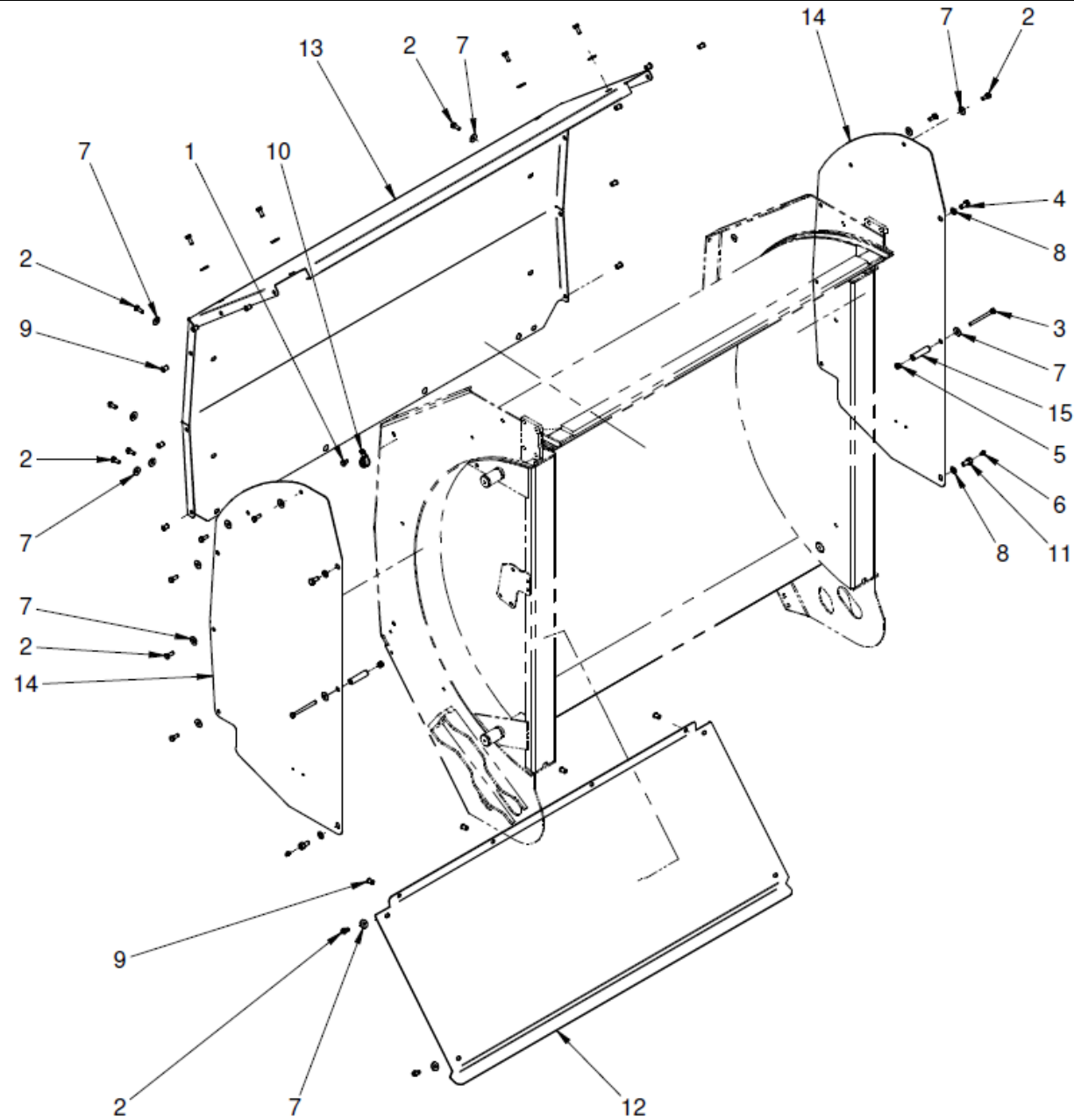
S.N.



S.N.

Pos.	Code	Description	Quantity
1	020.028	SCREW TE M 8X12 8.8 5739 ZB	5
2	020.965	SCREW TE M 8X20 8.8 6921 ZB	4
3	023.017	FLAT WASHER M8=9X24X2 6593 ZB	1
4	023.020	FLAT WASHER M8=8,4X16X1,6 6592 ZB	5
5	023.922	RIVET TC UNI 9201-B M8-8	4
6	50004346-52	LOWER COVER PLATE 120 SX N	1
7	50004347	LOWER COVER PLATE LATCH 120 LEFT	1
8	50004356-52	LOWER COVER PLATE 120 RIGHT LOW	1
9	50004357-52	LOWER COVER PLATE 120 RIGHT HIGH	1

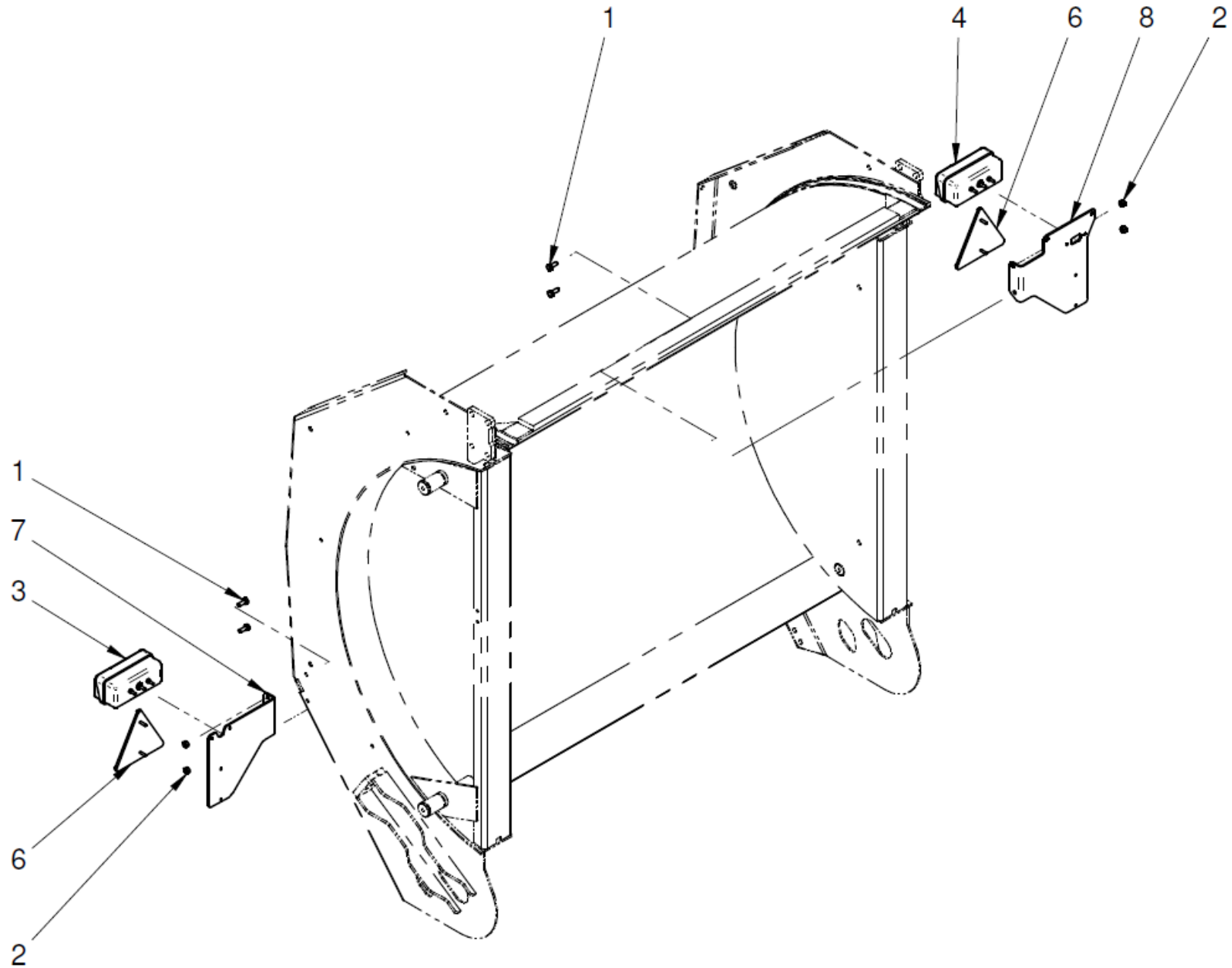
S.N.



S.N.

Pos.	Code	Description	Quantity
1	020.028	SCREW TE M 8X12 8.8 5739 ZB	1
2	020.051	SCREW TE M 8X20 8.8 5739 ZB	28
3	020.061	SCREW TE M 8X90 8.8 5737 ZB	2
4	020.100	SCREW TE M 10X20 8.8 5739 ZB	2
5	021.114	SELF-LOCKING NUT M8 7473 ZB	2
6	022.001	GREASE DEVICE M6X1 UNI 7663A	2
7	023.017	FLAT WASHER M8=9X24X2 6593 ZB	30
8	023.030	FLAT WASHER M10=10,5X20X2 6592 ZB	4
9	023.922	RIVET TC UNI 9201-B M8-8	14
10	025.400	COLLAR RUBBER TUBE TIGHTENING"ABA"D.18	1
11	50004300	SCREW FOR GREASER ZB	2
12	50004450-52	REAR DOOR LOW COVER PLATE 120	1
13	50004451-52	REAR DOOR MEDIUM COVER PLATE 120	1
14	50004452-52	REAR DOOR SIDE COVER PLATE 120	2
15	50004453	SPACER D.8-16 L.64 ZB	2

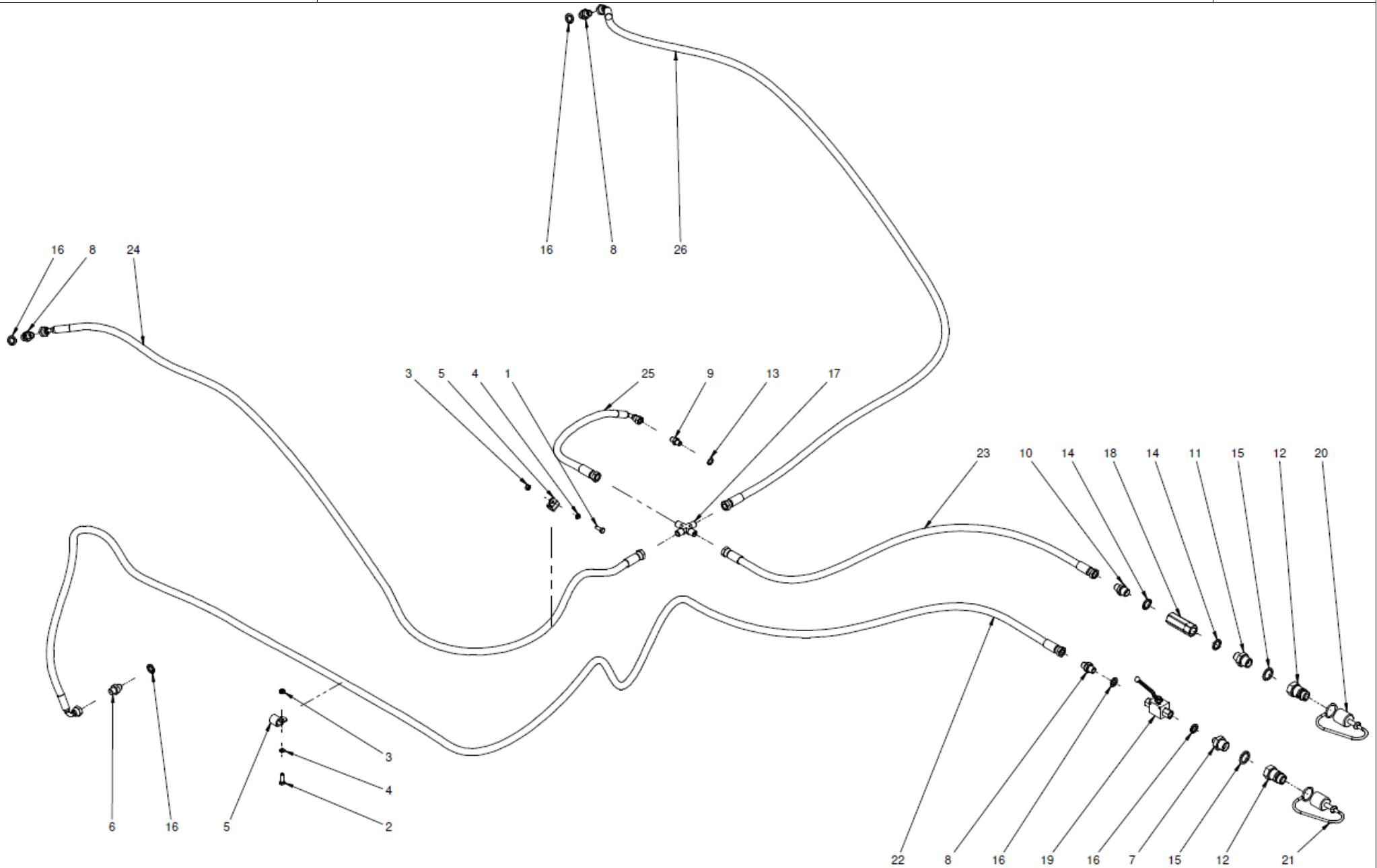
S.N.



S.N.

Pos.	Code	Description	Quantity
1	020.051	SCREW TE M 8X20 8.8 5739 ZB	4
2	021.114	SELF-LOCKING NUT M8 7473 ZB	4
3	076.109	RIGHT LIGHT WITH 3 FUNC.-CABLE AND PLUG	1
4	076.110	LEFT LIGHT WITH 3 FUNC.-CABLE AND PLUG	1
5*	076.168	7 POLES PIN WITH LIGHTS CABLES WIRING	1
6	076.350	CATADIOPTIC TRIANGLE III A E3 02 55175	2
7	50006050	LIGHTS BRACKET RIGHT	1
8	50006052	LIGHTS BRACKET LEFT	1

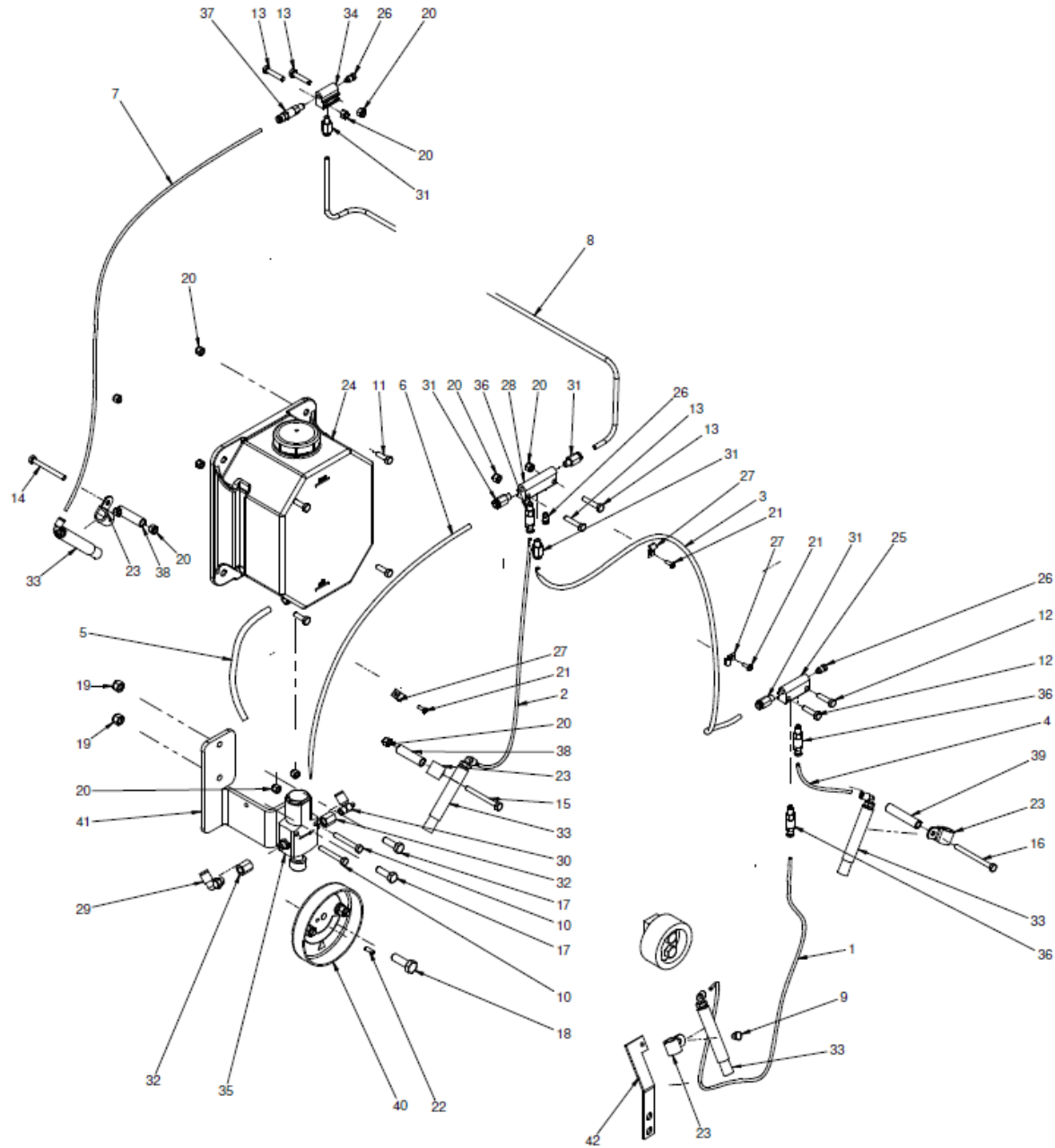
S.N.



S.N.

Pos.	Code	Description	Quantity
1	020.011	SCREW TE M 6X16 8.8 5739 ZB	1
2	020.012	SCREW TE M 6X20 8.8 ISO 4017 ZB	1
3	021.101	SELF-LOCKING NUT M 6 7474 ZB	2
4	023.010	FLAT WASHER M6=6,3X12X1,6 6592 ZB	2
5	025.402	COLLAR RUBBER TUBE TIGHTENING D.14 F.6,5	2
6	058.358	NIPLES ZN 1/4"-1/4"	1
7	058.400	REDUCT NIPLES REDUCT ZN 1/2"-1/4"	1
8	060.199	NIPPLE 1/4"	3
9	060.203	NIPPLE 1/8"	1
10	060.250	NIPPLE FOR REDUCTION 3/8"-1/4"	1
11	060.251	NIPPLE FOR REDUCTION 1/2"-3/8" ZN	1
12	060.380	FAST COUPLING MALE 1/2"	2
13	060.407	COPPER WASHER 1/8"	1
14	060.410	COPPER WASHER 3/8" GAS	2
15	060.415	BONDED WASHER 1/2" GAS	2
16	060.420	BONDED 1/4" WASHER	5
17	060.504	4-WAY ADAPTER WITH FIL. CONN. M1/4	1
18	061.019	CHECK VALVE, 1/4" NPT F, D. 2,5 ZB	1
19	061.220	2 WAY SPHERICAL 1/4" VALVE	1
20	095.023	CAP PL.FOR CONNec. RAP.M.-FEM.1/2"	1
21	095.053	CAP PL.FOR CONNec. RAP. M.-FEM.1/2"	1
22	50003612	FLEXPIPE R1AT PICK-UP	1
23	50003622	FLEXPIPE R1AT FEEDING	1
24	50003624	FLEXPIPE R1AT CYLINDER RIGHT	1
25	50003628	FLEXPIPE R1AT CLUTCH	1
26	50003632	FLEXPIPE R1AT CYLINDER LEFT	1

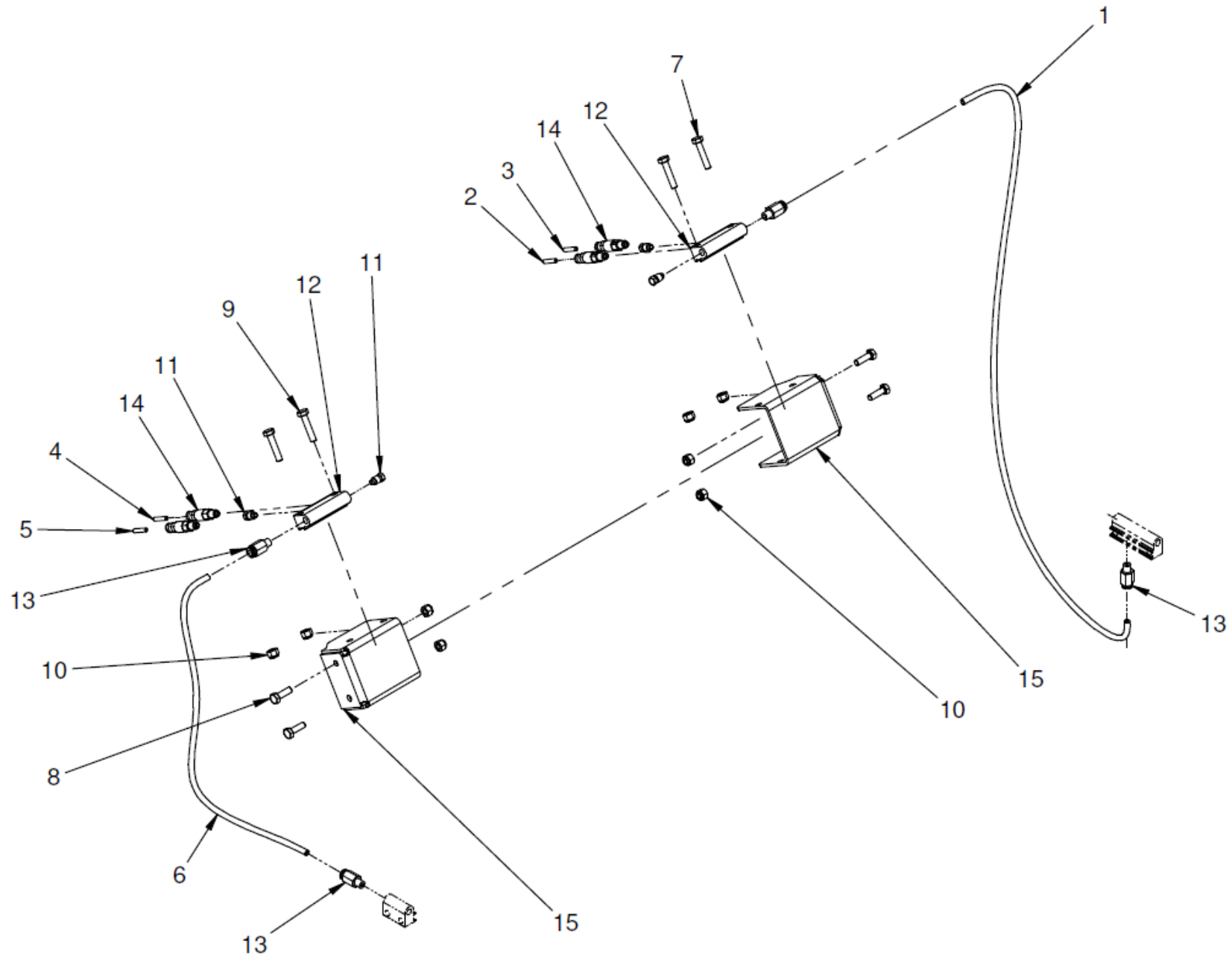
S.N.



S.N.

Pos.	Code	Description	Quantity
9	020.005	SCREW TE M 6X8 8.8 5739 ZB	1
10	020.007	SCREW TE M 6X45 8.8 5739 ZB	2
11	020.012	SCREW TE M 6X20 8.8 ISO 4017 ZB	4
12	020.013	SCREW TE M 6X25 8.8 ISO 4017 ZB	2
13	020.014	SCREW TE M 6X30 8.8 5739 ZB	4
14	020.020	SCREW TE M 6X60 8.8 ISO 4014 ZB	1
15	020.021	SCREW TE M 6X60 8.8 5739 ZB	1
16	020.022	SCREW TE M 6X70 8.8 5737 ZB	1
17	020.052	SCREW TE M 8X25 8.8 5739 ZB	2
18	020.102	SCREW TE M 10X30 8.8 5739 ZB	1
19	021.114	SELF-LOCKING NUT M8 7473 ZB	2
20	021.115	SELF-LOCKING NUT M6 7473 ZB	12
21	023.829	RIVET D4X12 ALUMINIUM	3
22	024.320	ELASTIC PIN D. 5X16 6873 NE	1
23	025.402	COLLAR RUBBER TUBE TIGHTENING D.14 F.6,5	4
24	060.701	TANK 4L EXIT 90° D8	1
25	08543003	VALVE BLOCK 5/162 24UNF 2+2V	1
26	08543007	STOPPER (05.001.0)	3
27	08543025	TUBE-FASTENING CLAMP D=6mm	3
28	08543027	CONNECTION BLOCK (01.050.0)	1
29	08543037	PUSH-IN 90° 1/8" G-D8	1
30	08543038	PUSH-IN 90° 1/8" K-D6	1
31	08543039	PUSH-IN STRAIGHT 5/16" 24 UNIF-D6	5
32	08543045	FITTING F-F M10 - 1/8" NPT	2
33	08543046	BRUSH D20 H50	4
34	08543047	VALVE BLOCK 5/16" 24UNF 2+1 V	1
35	08543050	PUMP PS-R A ECCENTRIC CONTROL	1
36	08543052	VALVE DOS. N°2 5/16" 24 UNF-D4	3
37	08543053	VALVE DOS. N°3 5/16" 24UNF-D4	1
38	50003250	SHORT SPACER BRUSH	2
39	50003251	LONG SPACER BRUSH	1
40	50003252	CAM PS-R ZB	1
41	50003253	SUPPORT PUMP ACTION ZB	1
42	50003254	BRUSH SUPPORT ACTION	1

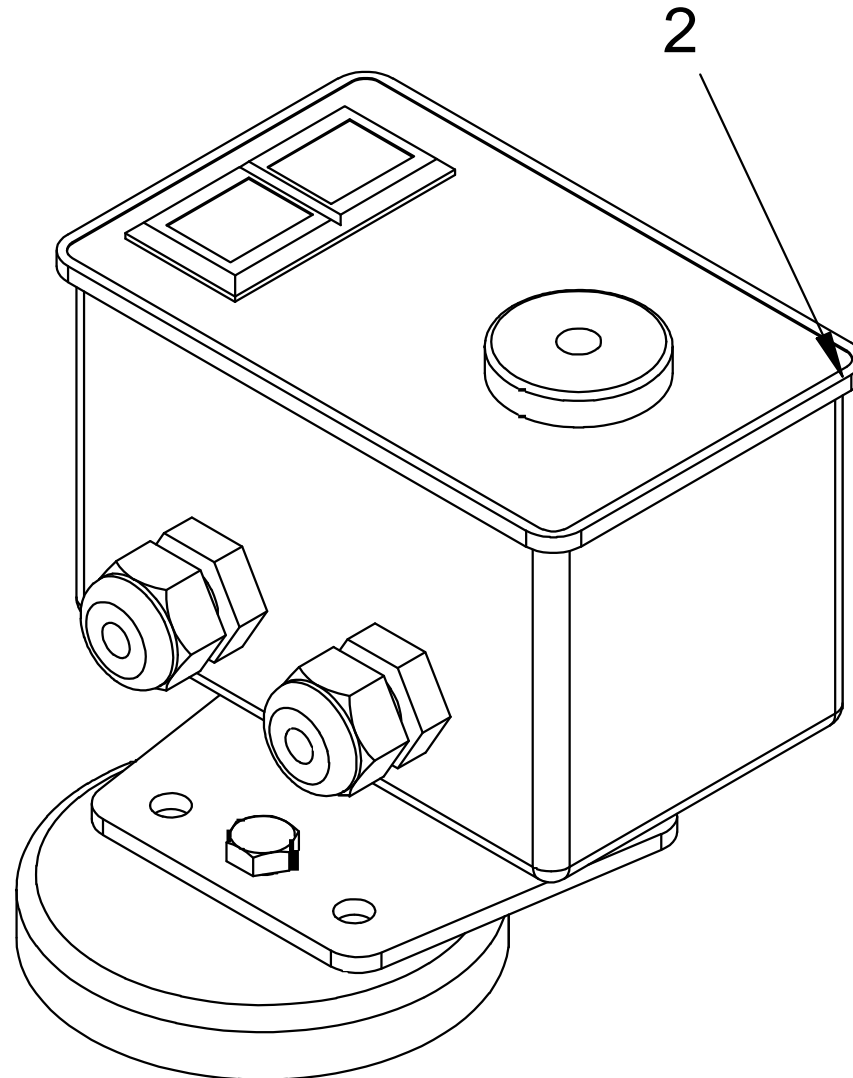
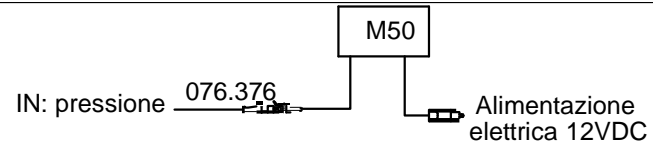
S.N.



S.N.

Pos.	Code	Description	Quantity
1	08543136	TUBE FOR LUBRICATION 6X3	1
2	08543137	TUBE FOR LUBRICATION 4X2,5	1
3	08543137	TUBE FOR LUBRICATION 4X2,5	1
4	08543137	TUBE FOR LUBRICATION 4X2,5	1
5	08543137	TUBE FOR LUBRICATION 4X2,5	1
6	08543136	TUBE FOR LUBRICATION 6X3	1
7	020.008	SCREW TE M 6X30 8.8 ISO 4014 ZB	2
8	020.012	SCREW TE M 6X20 8.8 ISO 4017 ZB	4
9	020.014	SCREW TE M 6X30 8.8 5739 ZB	2
10	021.115	SELF-LOCKING NUT M6 7473 ZB	8
11	08543007	STOPPER (05.001.0)	4
12	08543027	CONNECTION BLOCK (01.050.0)	2
13	08543039	PUSH-IN STRAIGHT 5/16" 24 UNIF-D6	4
14	08543052	VALVE DOS. N°2 5/16" 24 UNF-D4	4
15	50003257	BIG CHAIN BLOCK BRACKET	2

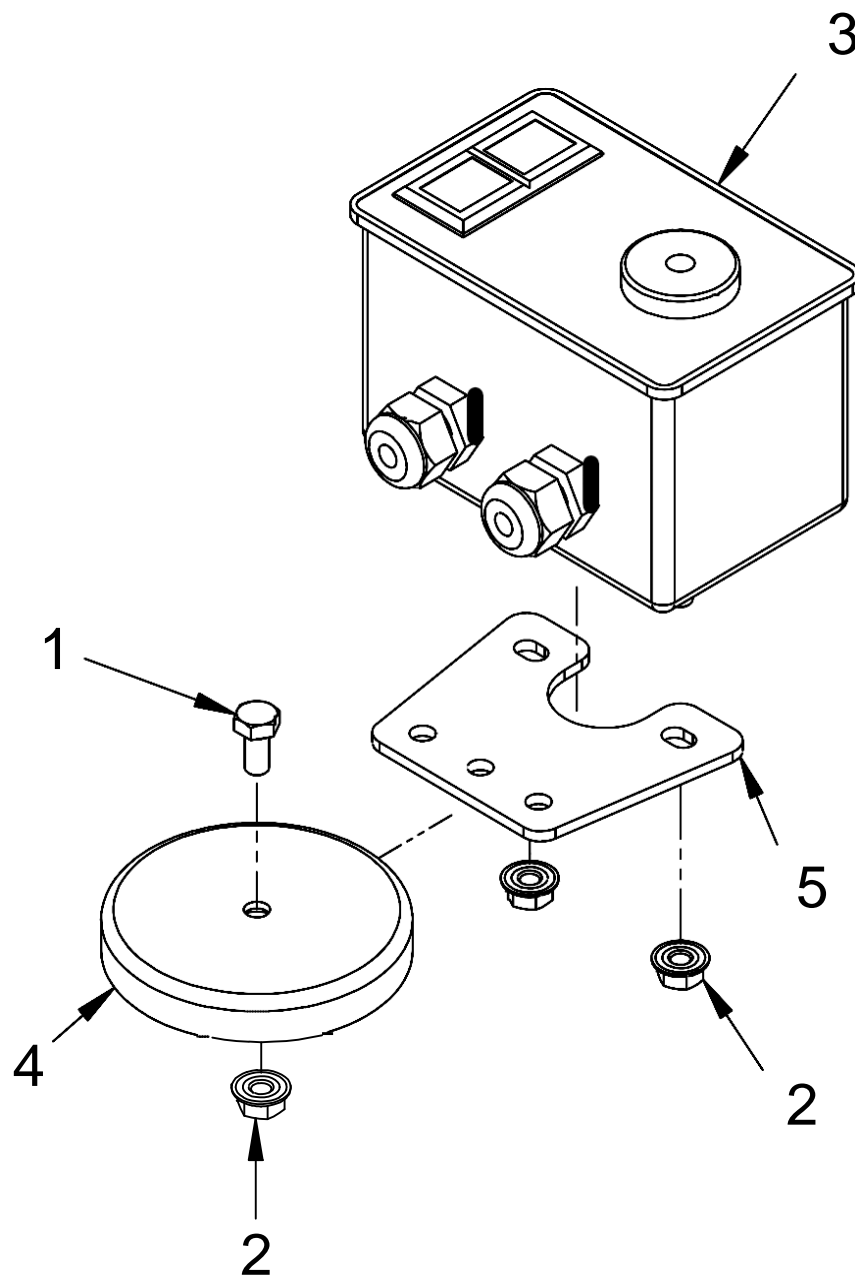
S.N.



S.N.

Pos.	Code	Description	Quantity
1	076.376	SIMPLE WIRING FOR MC 500	1
2	50003181	COMPL. ASSY SWITCH-BOARD M50	1

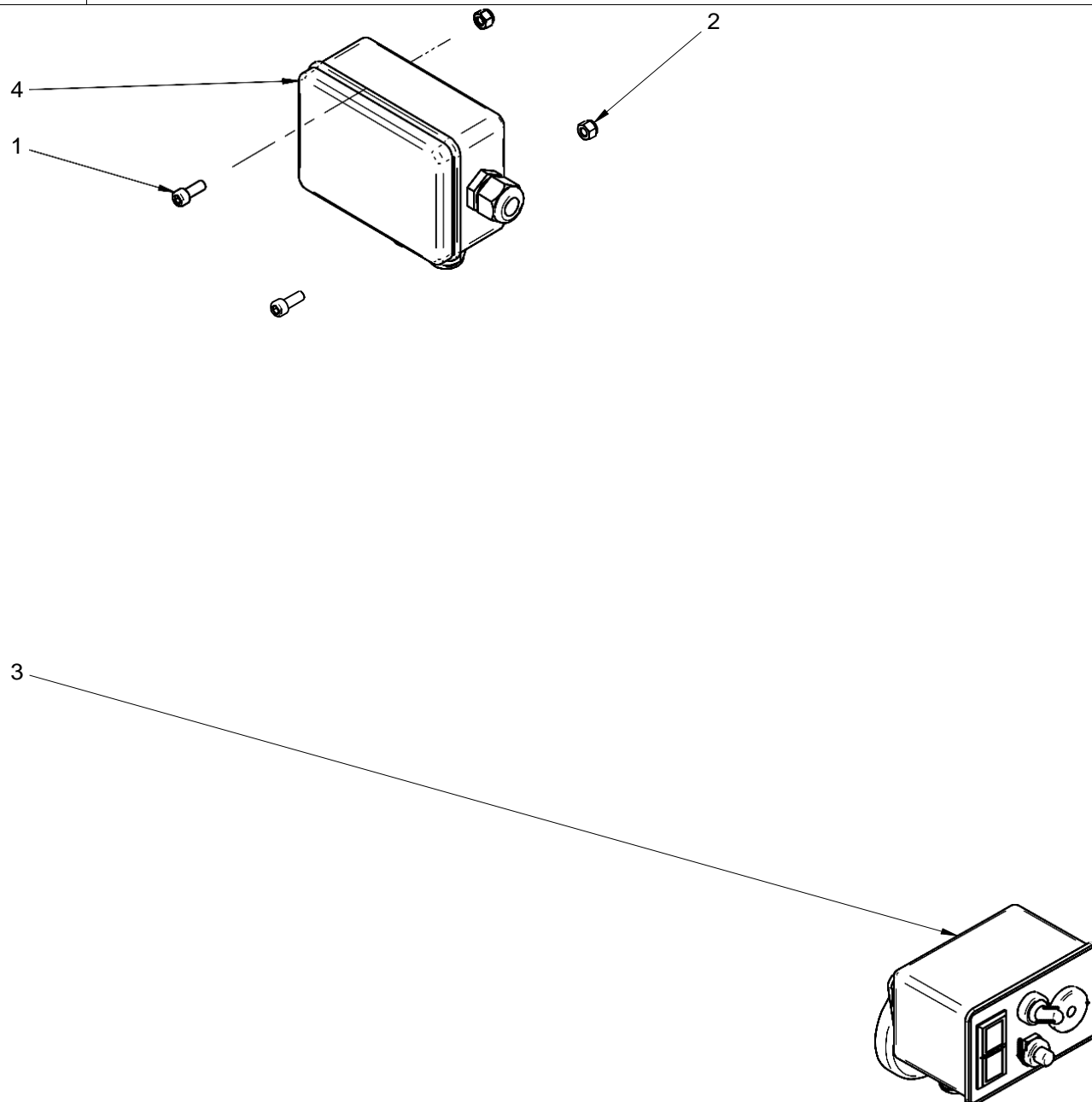
S.N.



S.N.

Pos.	Code	Description	Quantity
1	020.009	SCREW TE M 6X12 8.8 5739 ZB	1
2	021.505	KNURLED NUT AND FLANGE M 6 D.6923 ZB	3
3	076.432	MONITOR M50	1
4	095.311	MAGNET D.76 H.12	1
5	50003190	MONITOR UNIT	1

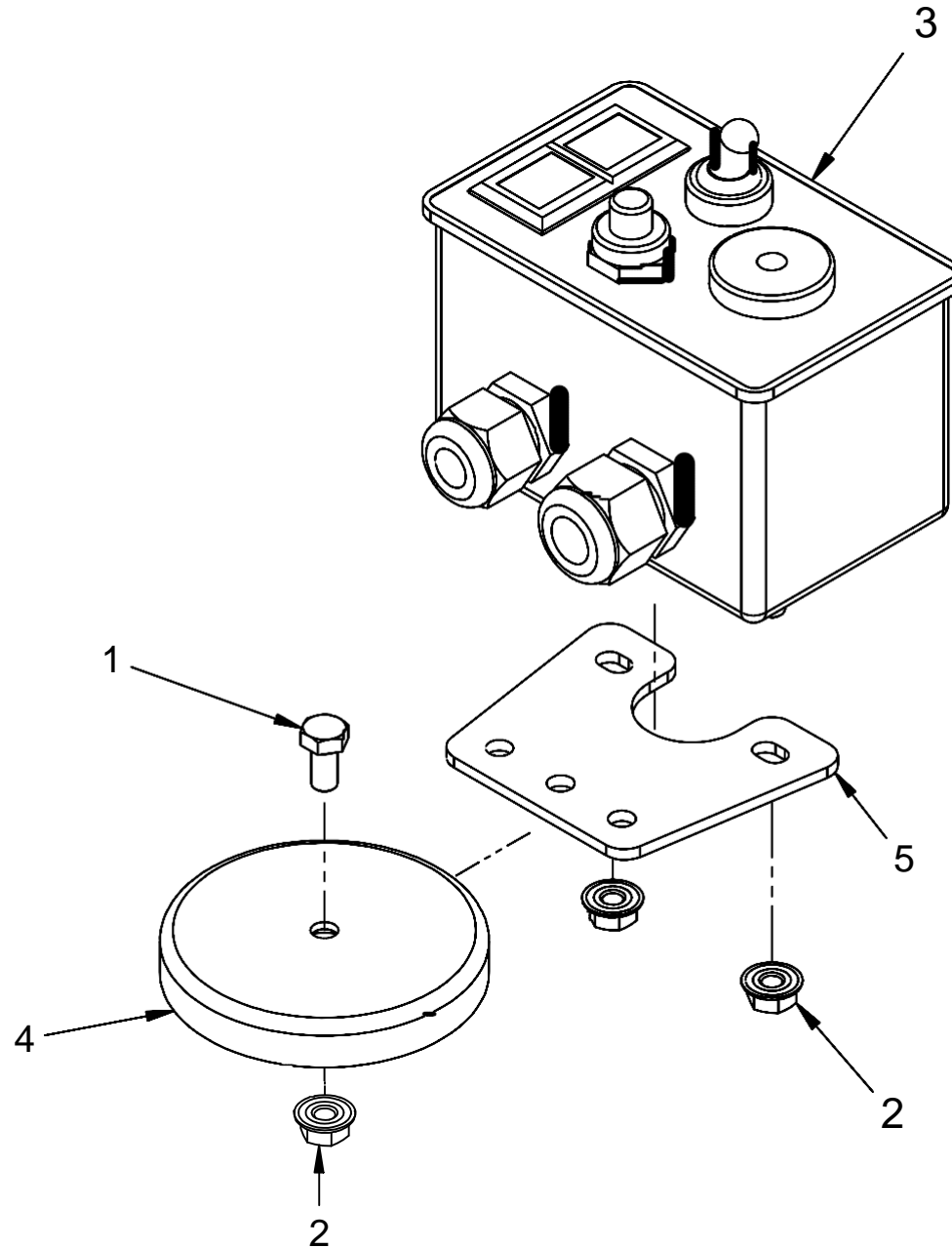
S.N.



S.N.

Pos.	Code	Description	Quantity
1	020.506	SCREW TCEI M 6X16 8.8 5931 ZB	2
2	021.115	SELF-LOCKING NUT M6 7473 ZB	2
3	50003182	COMPL. ASSY SWITCH-BOARD M100	1
4	53006911	WIRING "ACTION- GENIUS"	1

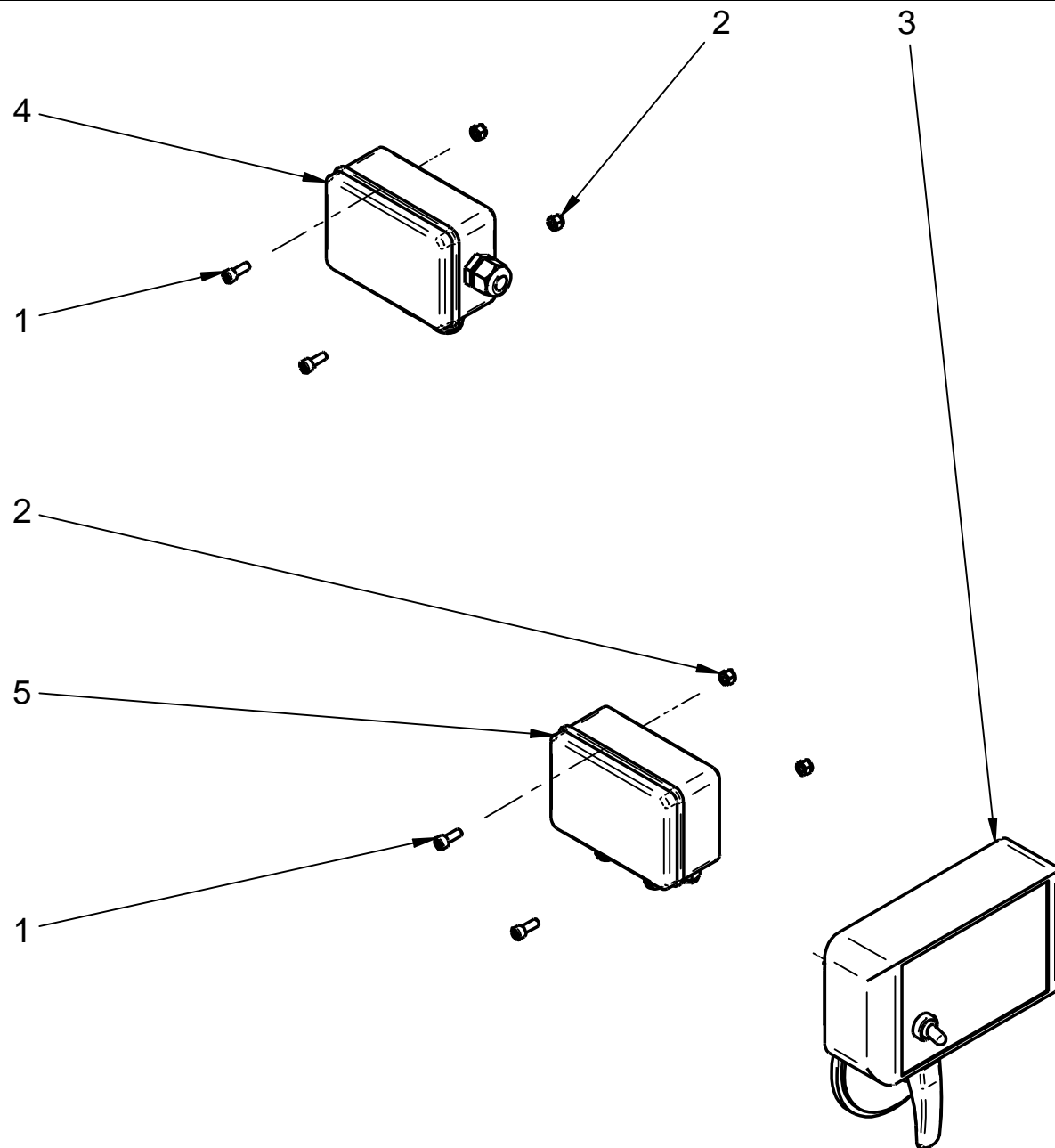
S.N.



S.N.

Pos.	Code	Description	Quantity
1	020.009	SCREW TE M 6X12 8.8 5739 ZB	1
2	021.505	KNURLED NUT AND FLANGE M 6 D.6923 ZB	3
3	076.433	MONITOR M100	1
4	095.311	MAGNET D.76 H.12	1
5	50003190	MONITOR UNIT	1
6*	53006910	BATTERY FEEDING CABLE	1

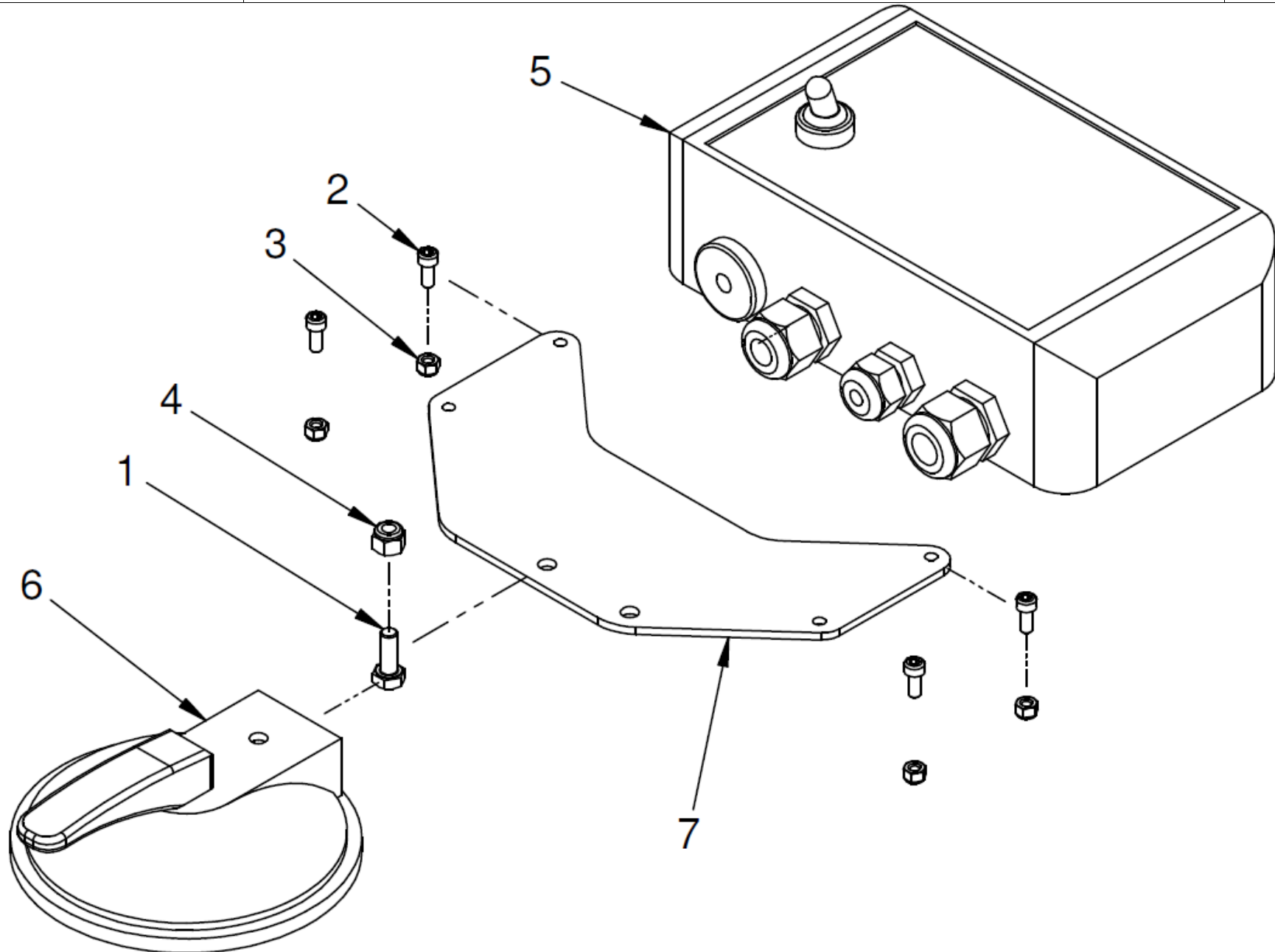
S.N.



S.N.

Pos.	Code	Description	Quantity
1	020.506	SCREW TCEI M 6X16 8.8 5931 ZB	4
2	021.115	SELF-LOCKING NUT M6 7473 ZB	4
3	50003180	COMPL. ASSY SWITCH-BOARD M200	1
4	53006911	WIRING "ACTION - GENIUS"	1
5	53006913	WIRING FOR M200	1

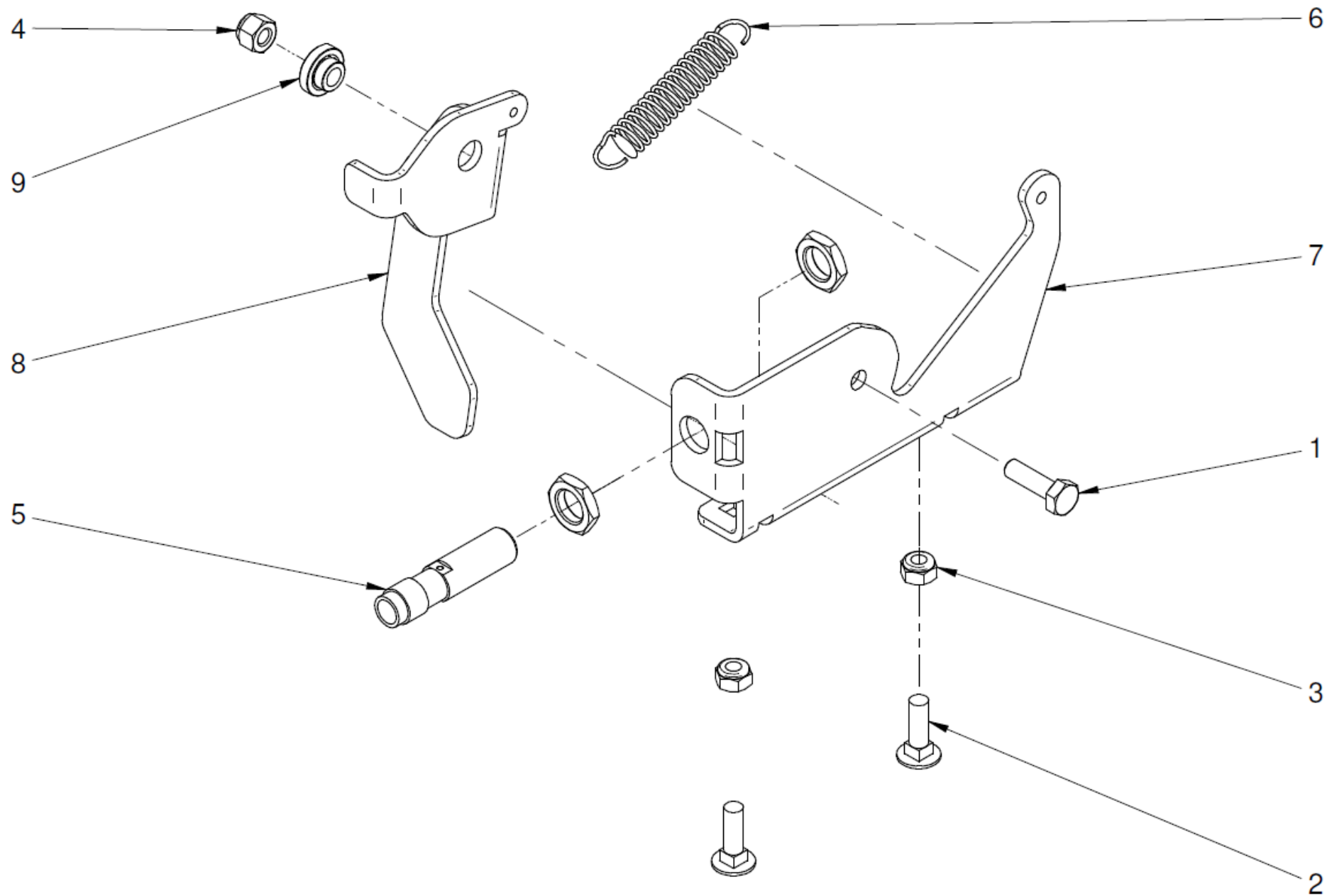
S.N.



S.N.

Pos.	Code	Description	Quantity
1	020.011	SCREW TE M 6X16 8.8 5739 ZB	1
2	020.489	SCREW TCEI M 4X10 8.8 5931 ZB	4
3	021.098	SELF-LOCKING NUT M 4 7474 ZB	4
4	021.115	SELF-LOCKING NUT M6 7473 ZB	1
5	076.430	MONITOR M200	1
6	095.310	SUCTION CAP D.120 WITH LEVER	1
7	50003191	MONITOR M200 BRACKET	1
8*	53006910	BATTERY FEEDING CABLE	1

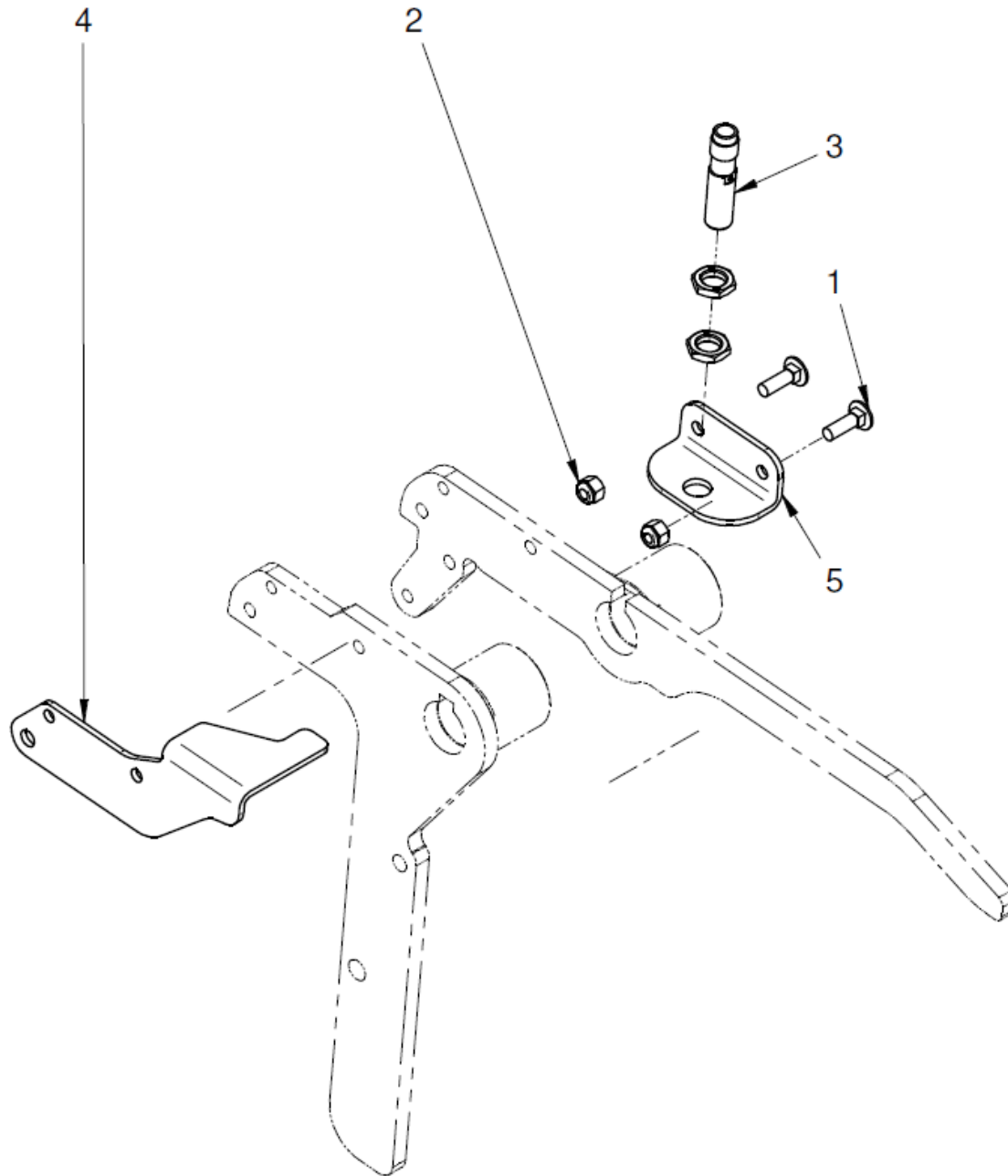
S.N.



S.N.

Pos.	Code	Description	Quantity
1	020.012	SCREW TE M 6X20 8.8 ISO 4017 ZB	1
2	020.082	SCREW TTQST M 6X20 4.6 5731 ZB	2
3	021.101	SELF-LOCKING NUT M 6 7474 ZB	2
4	021.115	SELF-LOCKING NUT M6 7473 ZB	1
5	076.445	SENSOR M12X51 NC CONN.	1
6	50005040	DRIVE SPRING 1,2X11,8X36,6 ZBD	1
7	50005456	TWINE SENSOR STAND	1
8	50005457	TWINE BEAM	1
9	50005458	PIN D.10-16 S=3	1

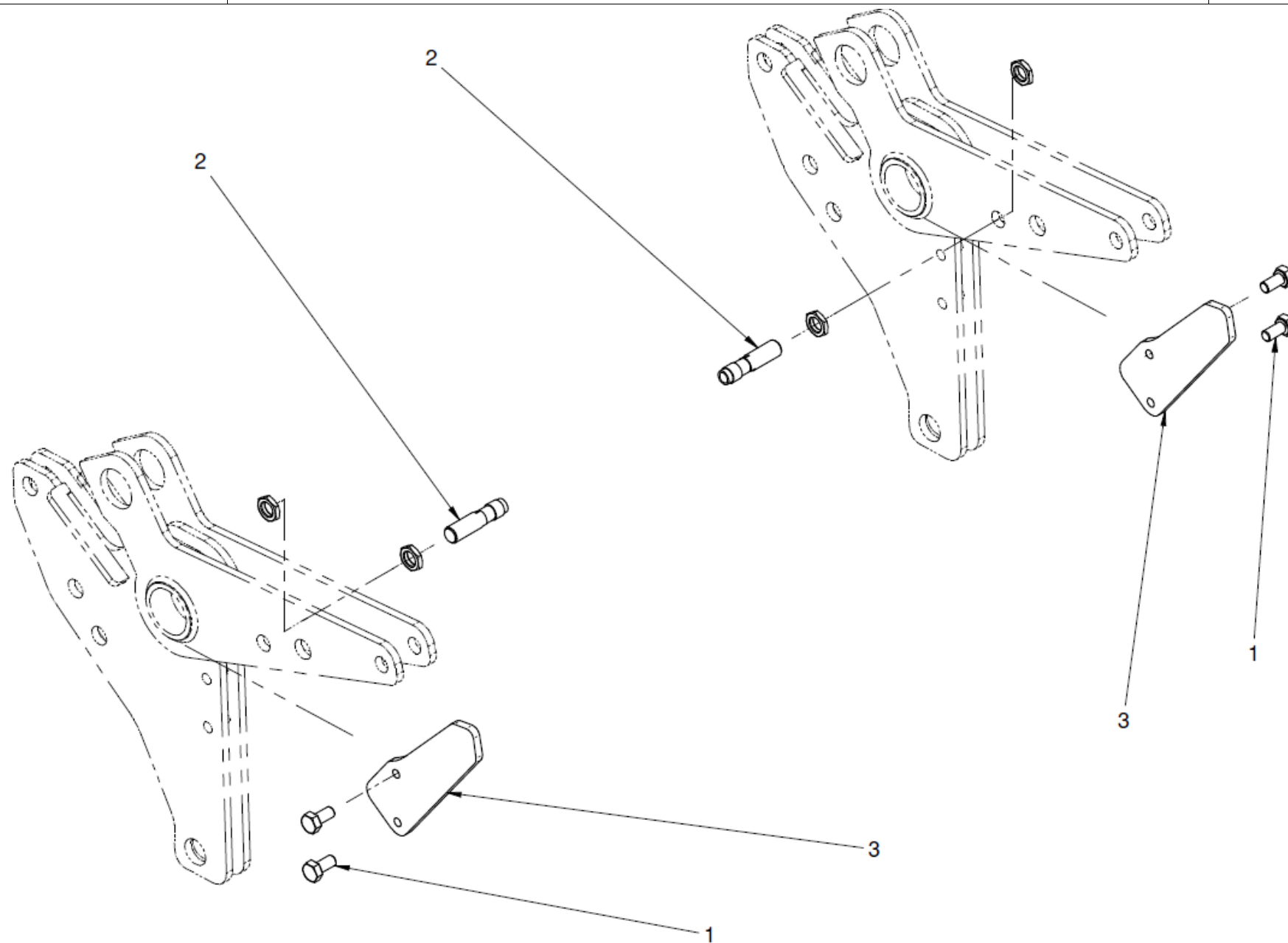
S.N.



S.N.

Pos.	Code	Description	Quantity
1	020.082	SCREW TTQST M 6X20 4.6 5731 ZB	2
2	021.115	SELF-LOCKING NUT M6 7473 ZB	2
3	076.445	SENSOR M12X51 NC CONN.	1
4	50005791	KNIFE SENSOR TARGET	1
5	50005792	KNIFE SENSOR STAND	1

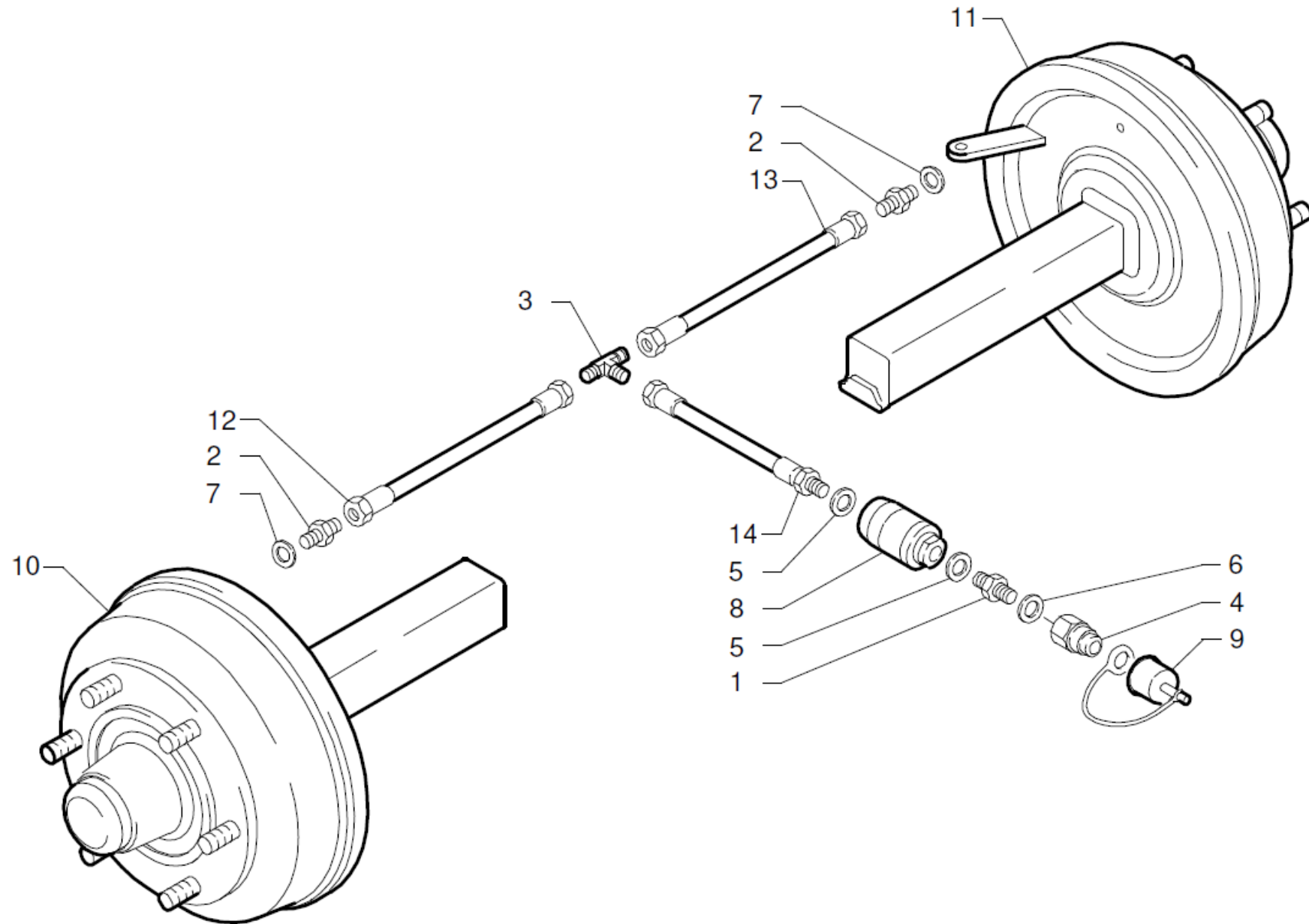
S.N.



S.N.

Pos.	Code	Description	Quantity
1	020.050	SCREW TE M 8X16 8.8 5739 ZB	4
2	076.444	INDUCTIVE SENSOR M12X51 NO CONN.	2
3	50003263	LOCK SENSOR BRACKET	2

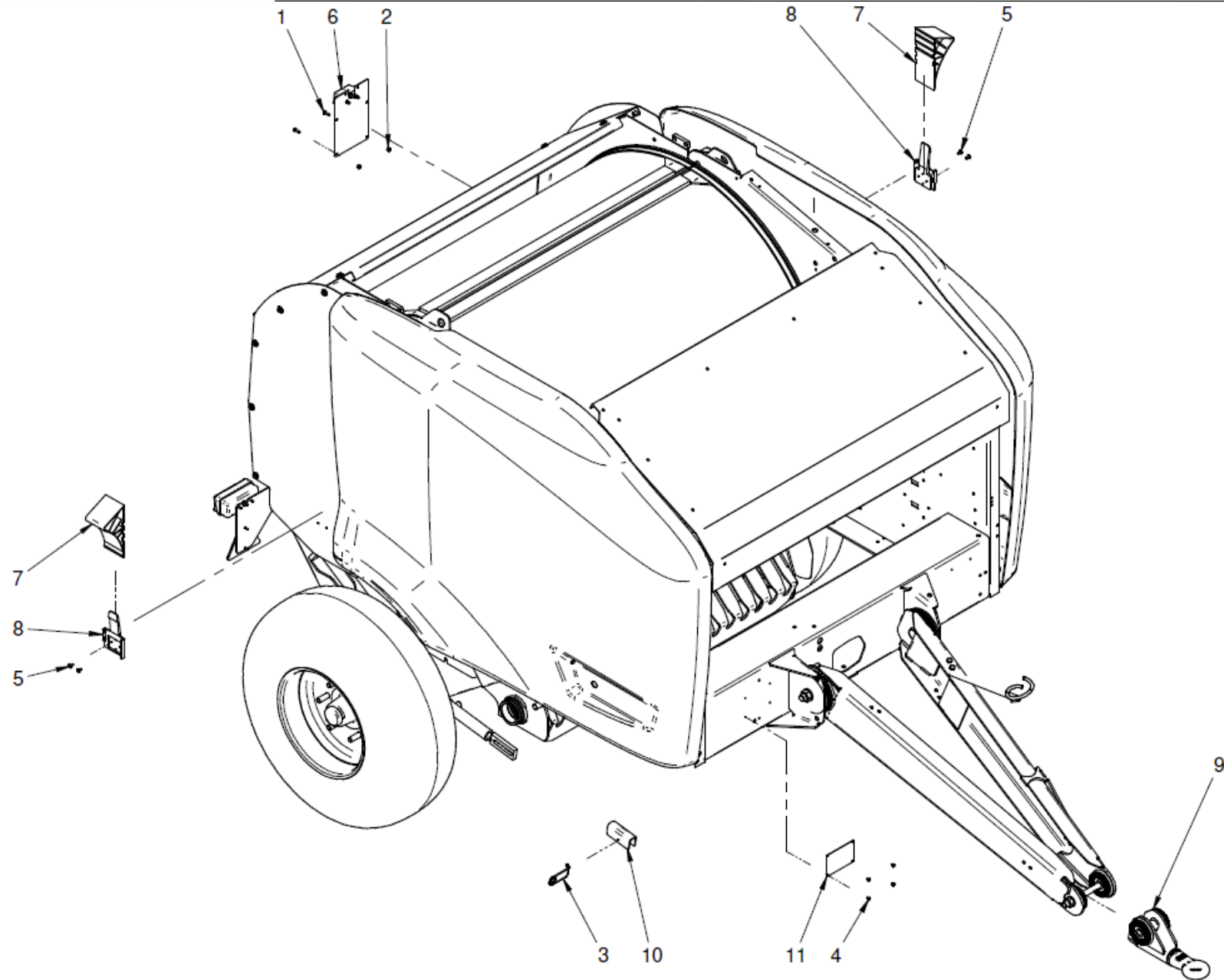
S.N.



S.N.

Pos.	Code	Description	Quantity
1	058.400	REDUCT NIPLES REDUCT ZN 1/2"-1/4"	1
2	058.604	NIPPLE M-M M10X1,25 1/4" GAS	2
3	060.187	T SHAPED JOINT 1/4" M-M-M	1
4	060.380	FAST COUPLING MALE 1/2"	1
5	060.400	COPPER WASHER 1/4" 13,5X19X1,5	2
6	060.402	COPPER WASHER 1/2" 21,5X27X1,5	1
7	060.407	COPPER WASHER 1/8"	2
8	061.026	ONE WAY NEEDLE VALVE 1/4"	1
9	095.023	CAP PL.FOR CONNEC. RAP.M.-FEM.1/2"	1
10	50001746	WELD ASSY HUB WITH BRAKE RIGHT	1
11	50001747	WELD ASSY HUB WITH BRAKE LEFT	1
12	54003922	FLEXPIPE R1 AT 1/4" (RIGHT BRAKE)	1
13	54003923	FLEXPIPE R1 1/4" (LEFT BRAKE)	1
14	54003924	FLEXPIPE R1 AT 1/4" (BRAKE FEEDING TUBE)	1

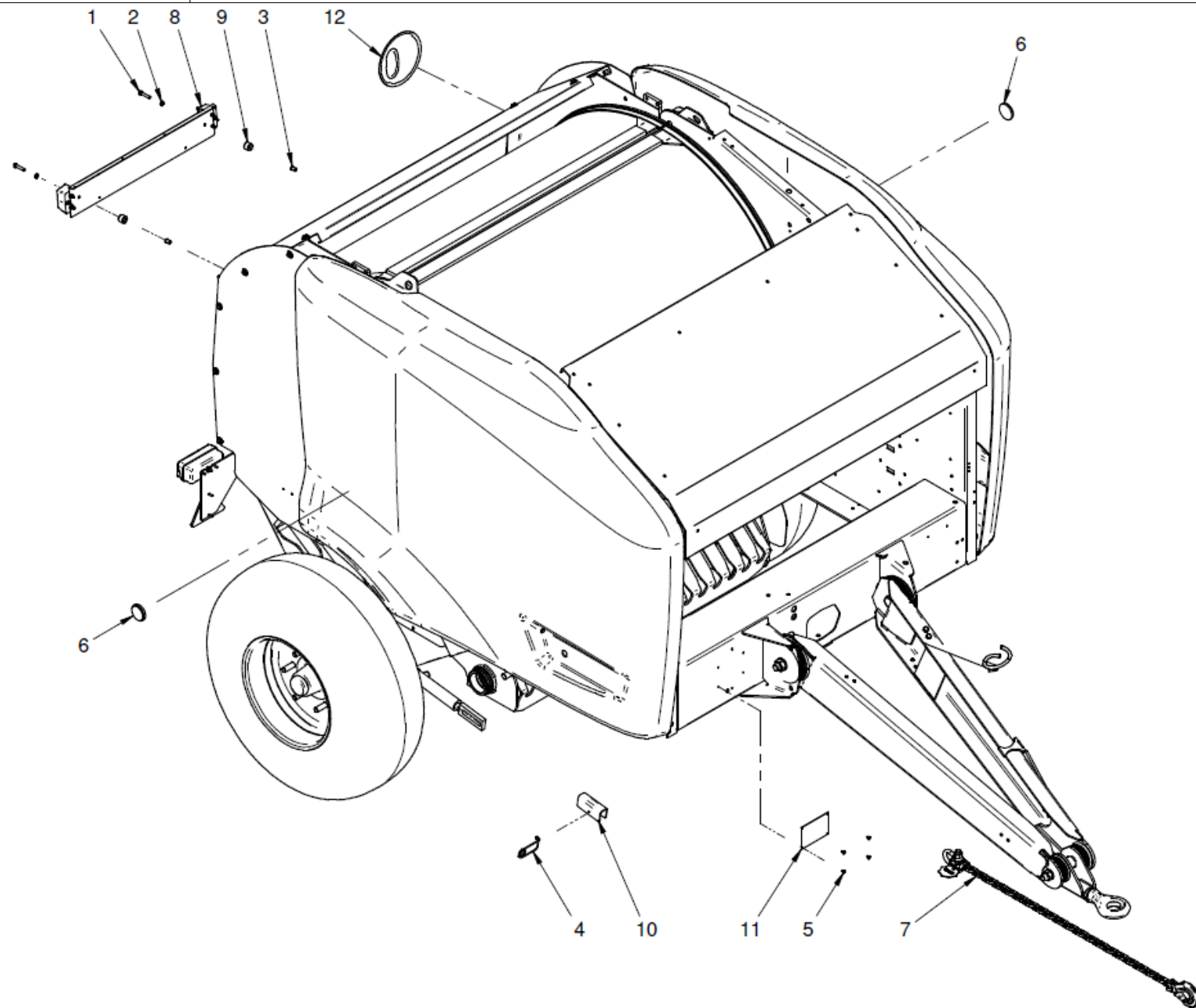
S.N.



S.N.

Pos.	Code	Description	Quantity
1	020.012	SCREW TE M 6X20 8.8 ISO 4017 ZB	2
2	021.115	SELF-LOCKING NUT M6 7473 ZB	2
3	024.071	STOP SPRING D.3 ZB	1
4	029.001	TEAR RIVET UNI9200-A-4-9-P-ALMG5	4
5	029.610	RIVET ALUMINIUM D.6X12	4
6	076.382	HOMOLOGATED PLATE SUPPORT WITH LIGHT	1
7	095.085	STOPPER IN PLASTIC D.310	2
8	095.086	SUPPORT STOPPER IN PLASTIC	2
9	50000041-52	WELD ASSY TOWING EYE HOMOLOGATED	1
10	54003154	ROAD SAFETY PICK-UP	1
11	89001215	HOMOLOGATION PLATE "SITREX"	1

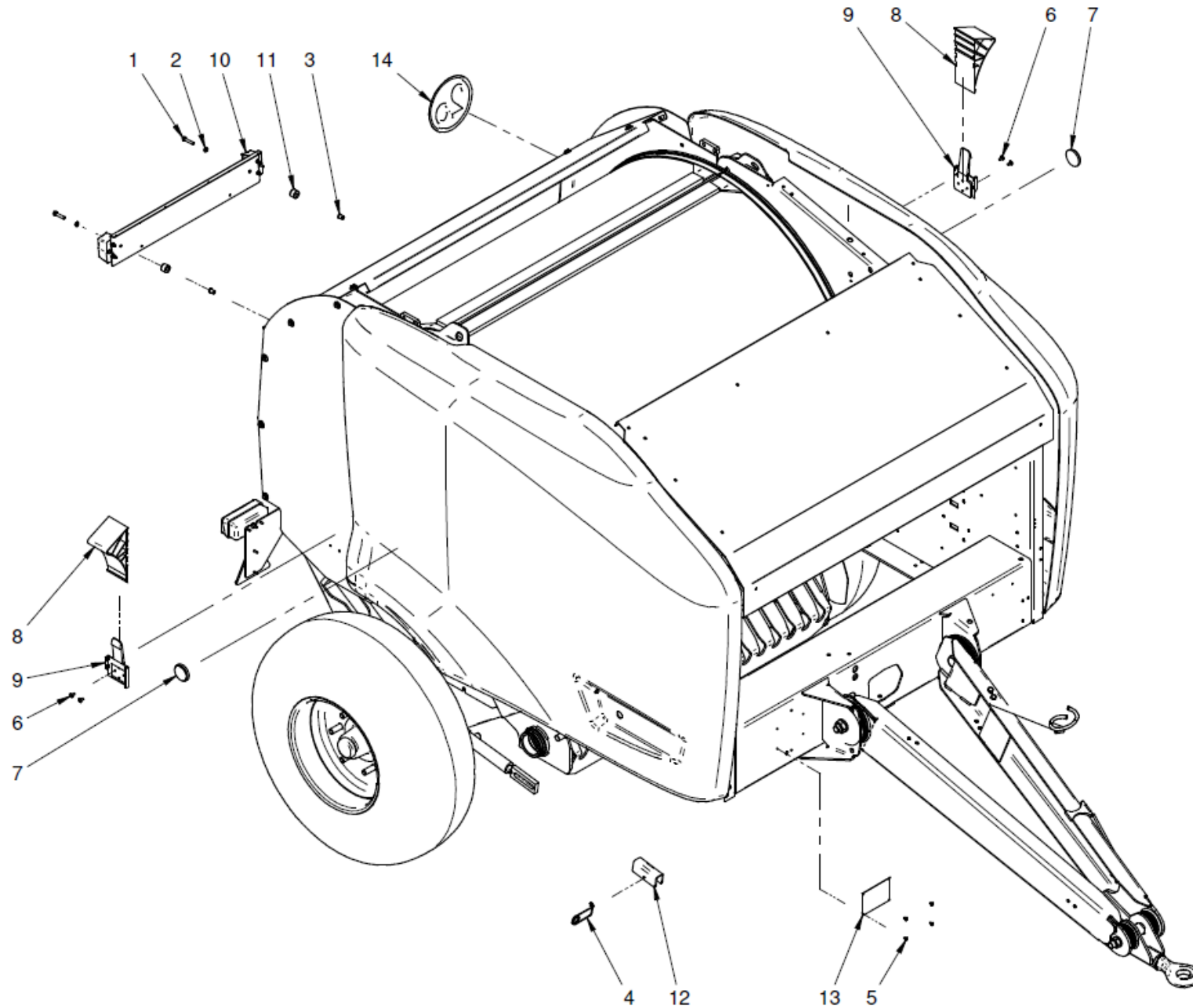
S.N.



S.N.

Pos.	Code	Description	Quantity
1	020.049	SCREW TE M 8X40 8.8 5737 ZB	2
2	023.301	GROWER WASHER A M8-D. 8,4 1751 ZBD	2
3	023.922	RIVET TC UNI 9201-B M8-8	2
4	024.071	STOP SPRING D.3 ZB	1
5	029.001	TEAR RIVET UNI9200-A-4-9-P-ALMG5	4
6	076.127	REFLECTOR STICKERS ORANGE D60	2
7	51000041	COMPL. ASSY SECURITY CHAIN	1
8	51000042	COMPL. ASSY PLATE NUMBER 520X110	1
9	51000206	CHAIN TENSIONER SPACER	2
10	54003154	ROAD SAFETY PICK-UP	1
11	89001217	HOMOLOGATION PLATE "SITREX FRANCE"	1
12	89003197	STICKER SPEED LIMIT "40" FRANCE	1

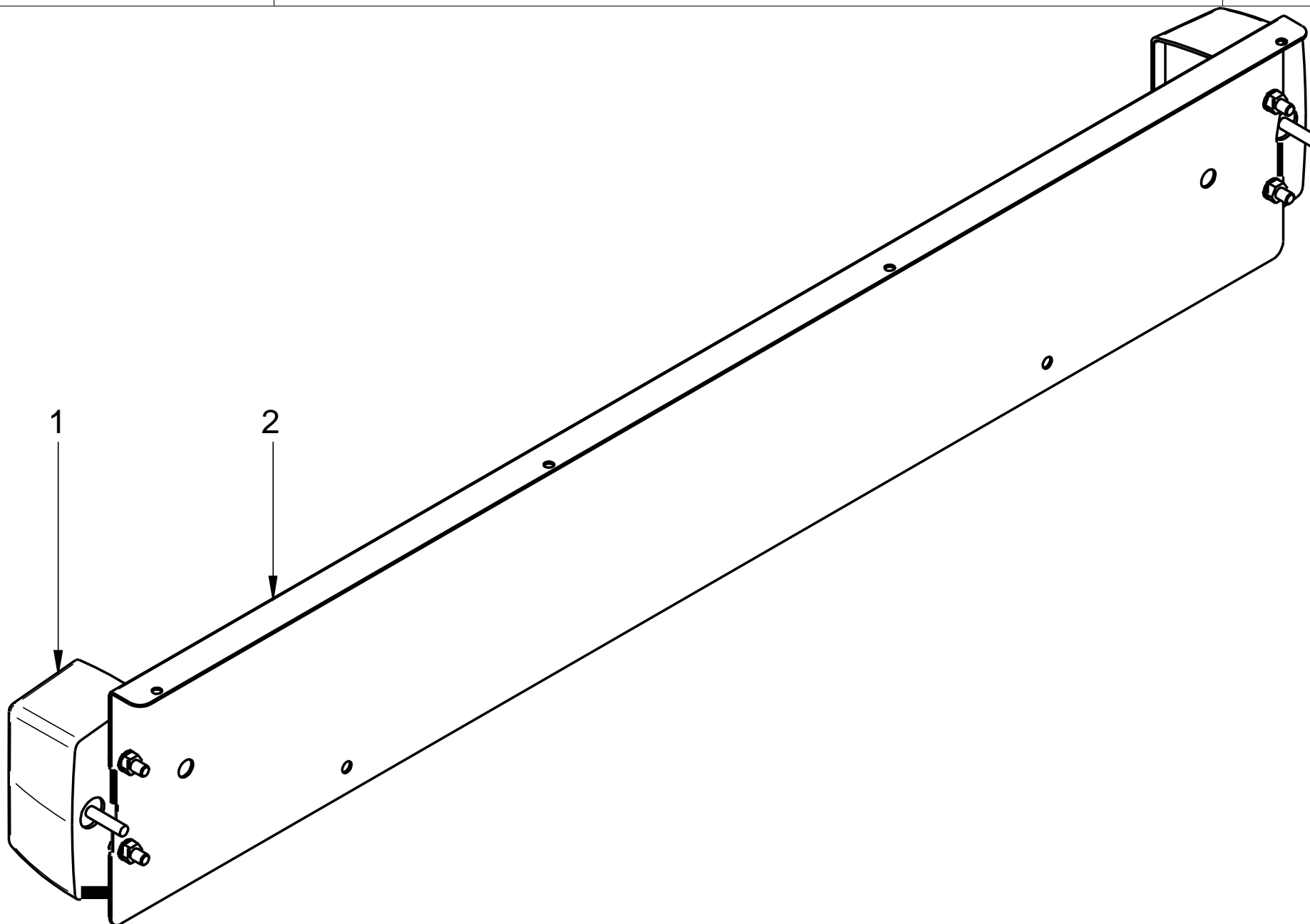
S.N.



S.N.

Pos.	Code	Description	Quantity
1	020.049	SCREW TE M 8X40 8.8 5737 ZB	2
2	023.301	GROWER WASHER A M8-D. 8,4 1751 ZBD	2
3	023.922	RIVET TC UNI 9201-B M8-8	2
4	024.071	STOP SPRING D.3 ZB	1
5	029.001	TEAR RIVET UNI9200-A-4-9-P-ALMG5	4
6	029.610	RIVET ALUMINIUM D.6X12	4
7	076.127	REFLECTOR STICKERS ORANGE D60	2
8	095.085	STOPPER IN PLASTIC D.310	2
9	095.086	SUPPORT STOPPER IN PLASTIC	2
10	51000042	COMPL. ASSY PLATE NUMBER 520X110	1
11	51000206	CHAIN TENSIONER SPACER	2
12	54003154	ROAD SAFETY PICK-UP	1
13	89001215	HOMOLOGATION PLATE "SITREX"	1
14	89003187	STICKER SPEED LIMIT "25"	1

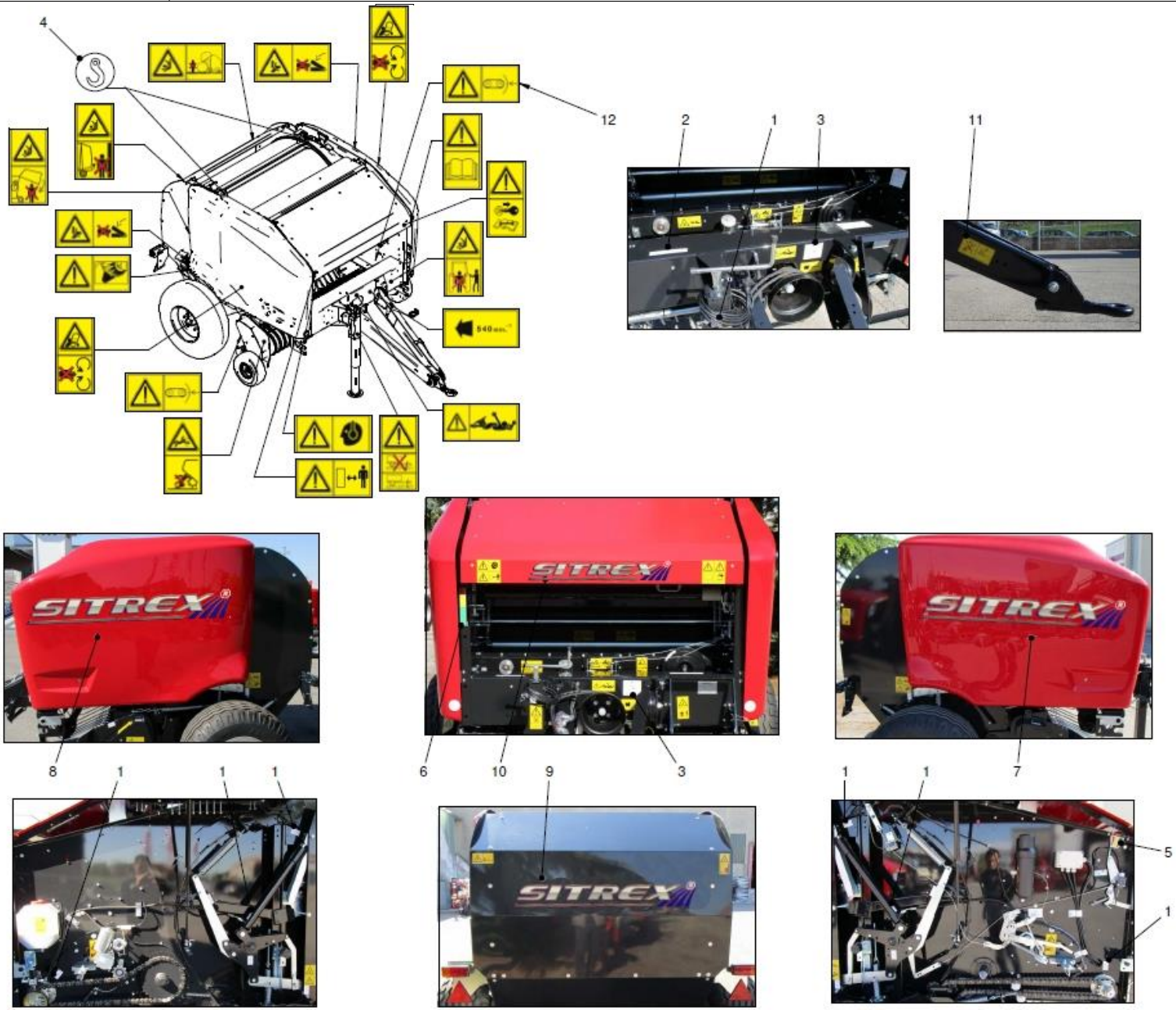
S.N.



S.N.

Pos.	Code	Description	Quantity
1	076.128	PLATE LIGHT	2
2	51002420	NUMBER PLATE 520X110	1

S.N.



S.N.

Pos.	Code	Description	Quantity
1	044.045	STICKER GREASING	11
2	044.058	STICKER CHAINS LUBRICATION	1
3	044.068	STICKER "TO CHECK OIL LEVEL.."	1
4	10009850	STICKER "LINKAGE POINT"	2
5	89003103	STICKER LEVEL PRESSURE	1
6	89003104	STICKER PRESSURE INDICATOR	1
7	89003262	STICKER "ACTION 120" RIGHT	1
8	89003263	STICKER "ACTION 120" LEFT	1
9	89003264	STICKER "SITREX" REAR DOOR ACTION	1
10	89003146	STICKER "SITREX" 578X100	1
11	89005050	STICKER TOWING BAR ASSEMBLING	1
12	89006030	STICKER "CE" KIT ROUNDBALLER	1

S.N.

SITREX S.p.A.

Viale Grecia, 22 – Trestina (PG) - Italy

Tel +39 075 8540021- Fax +39 075 8540523

E-mail: sitrex@sitrex.it

Web: www.sitrex.com